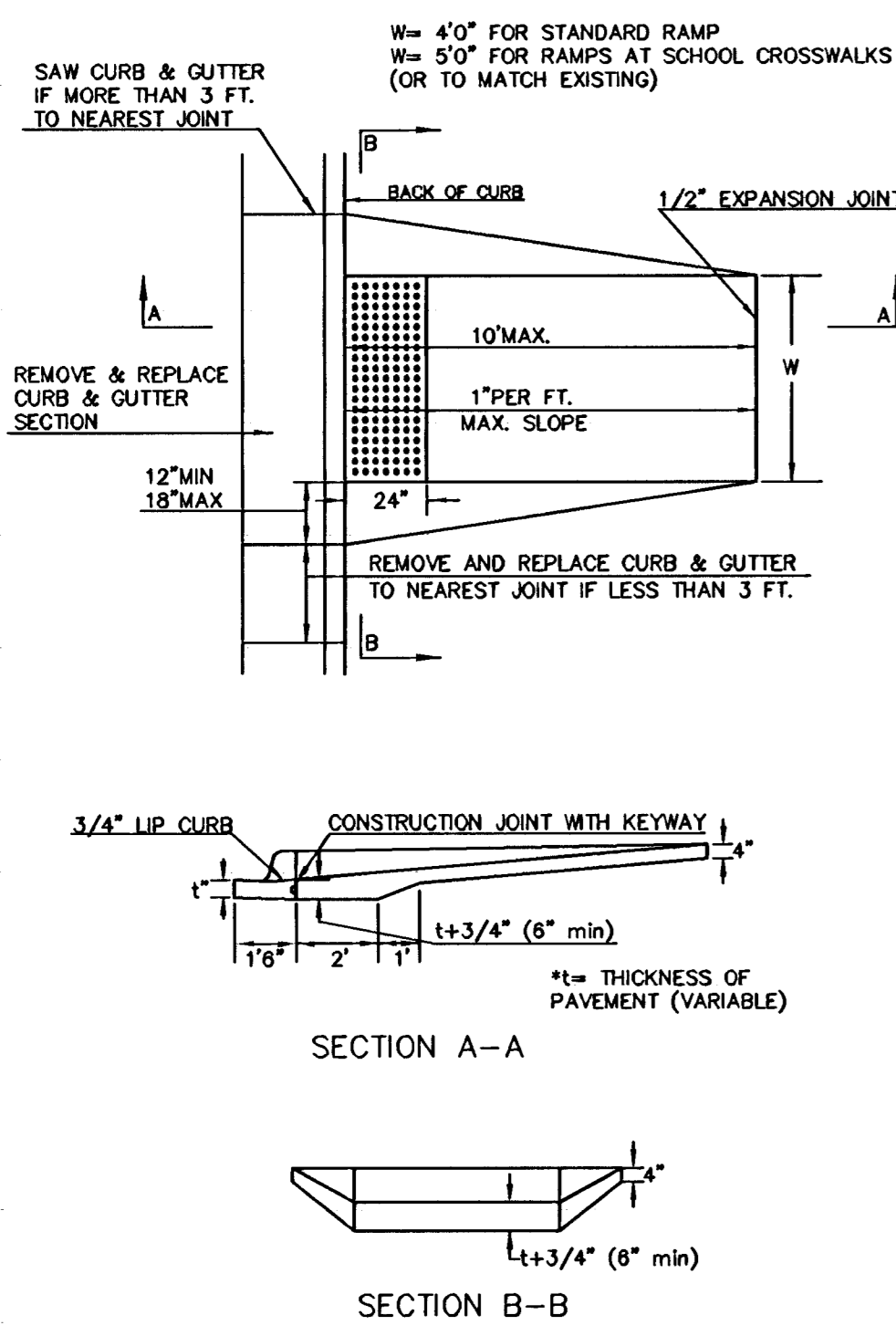
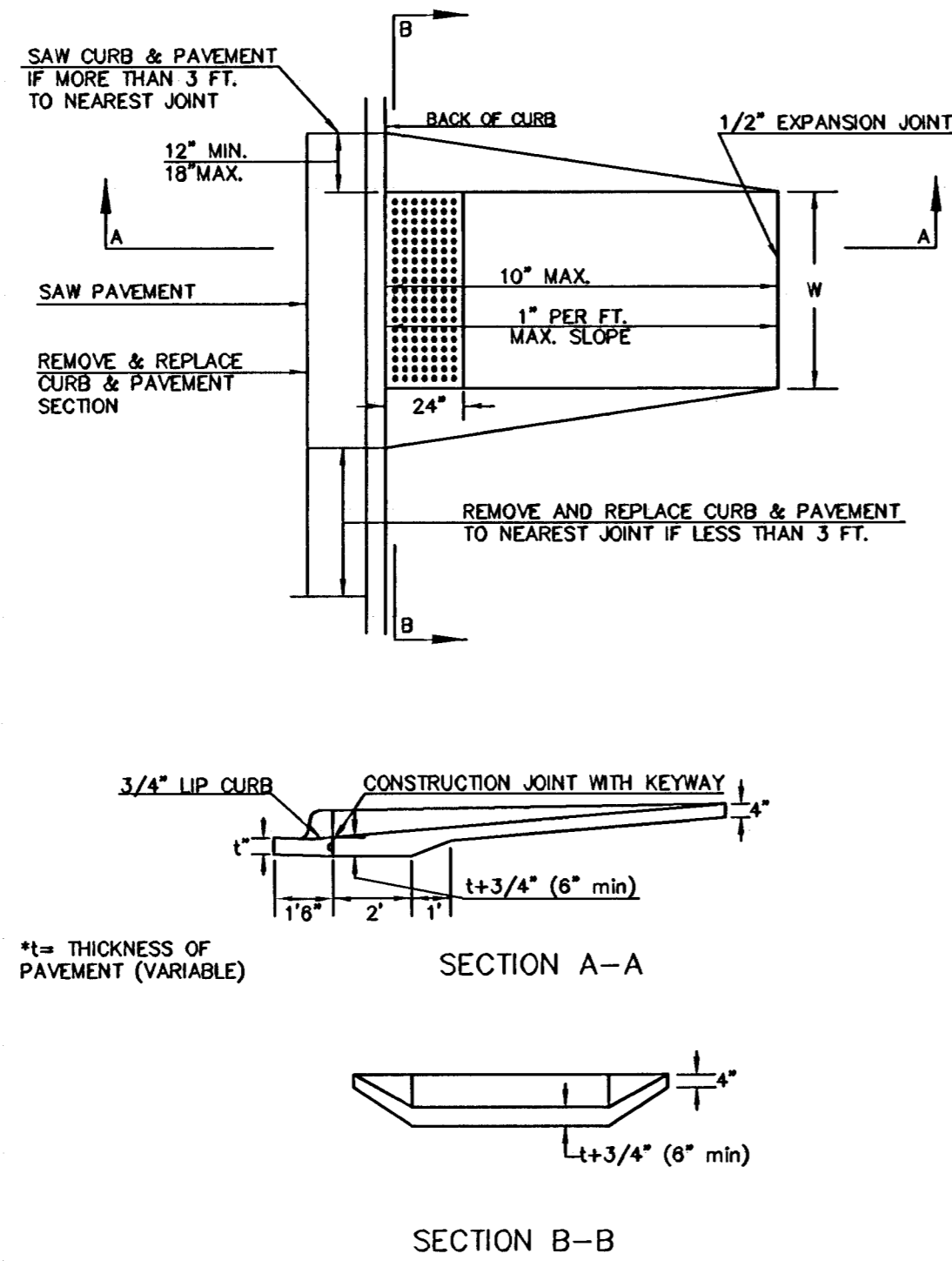


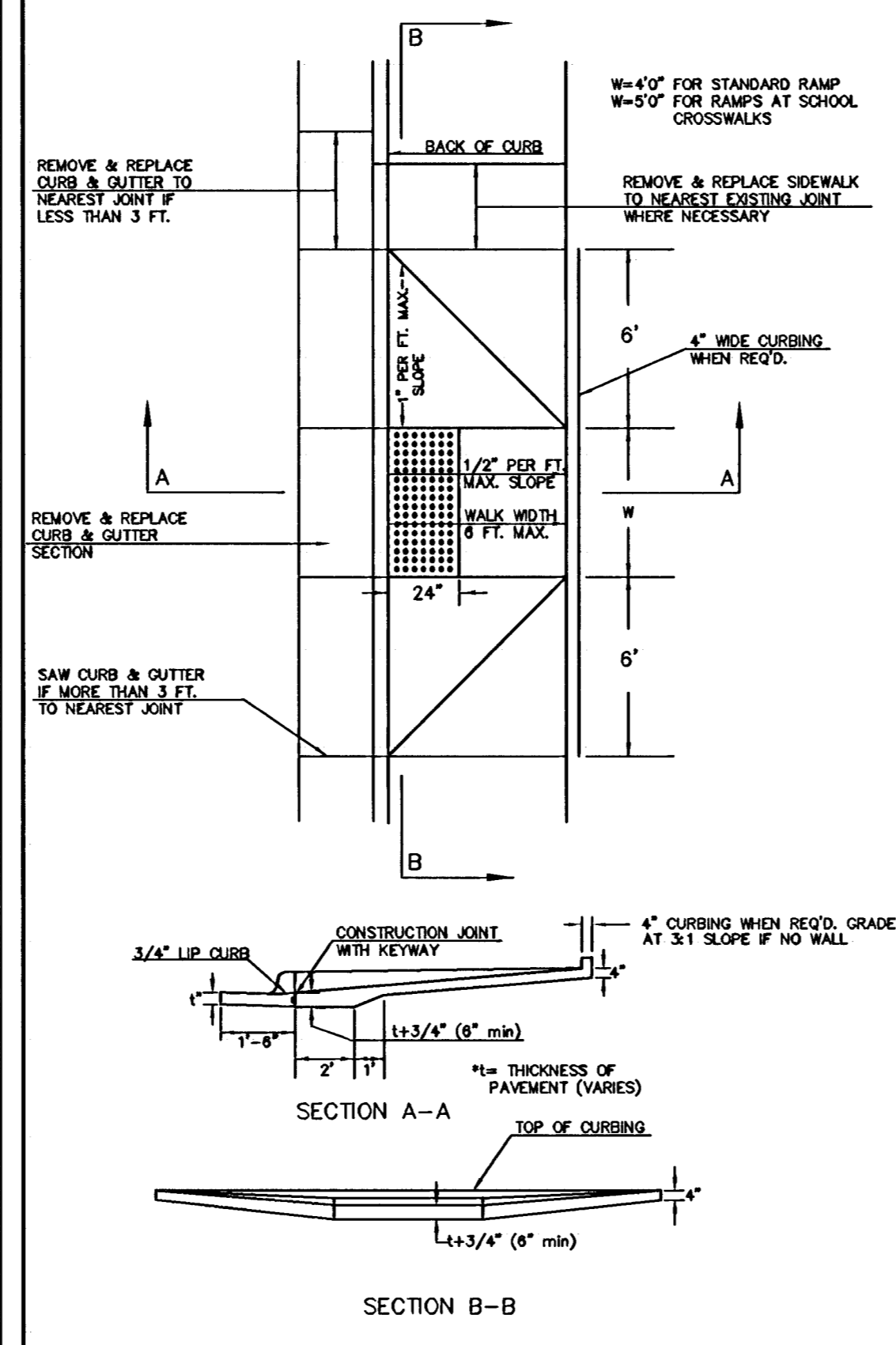
**STANDARD WHEELCHAIR RAMP CONSTRUCTION DETAIL FOR STREETS WITH COMBINED CURB & GUTTER (TYPE A)**



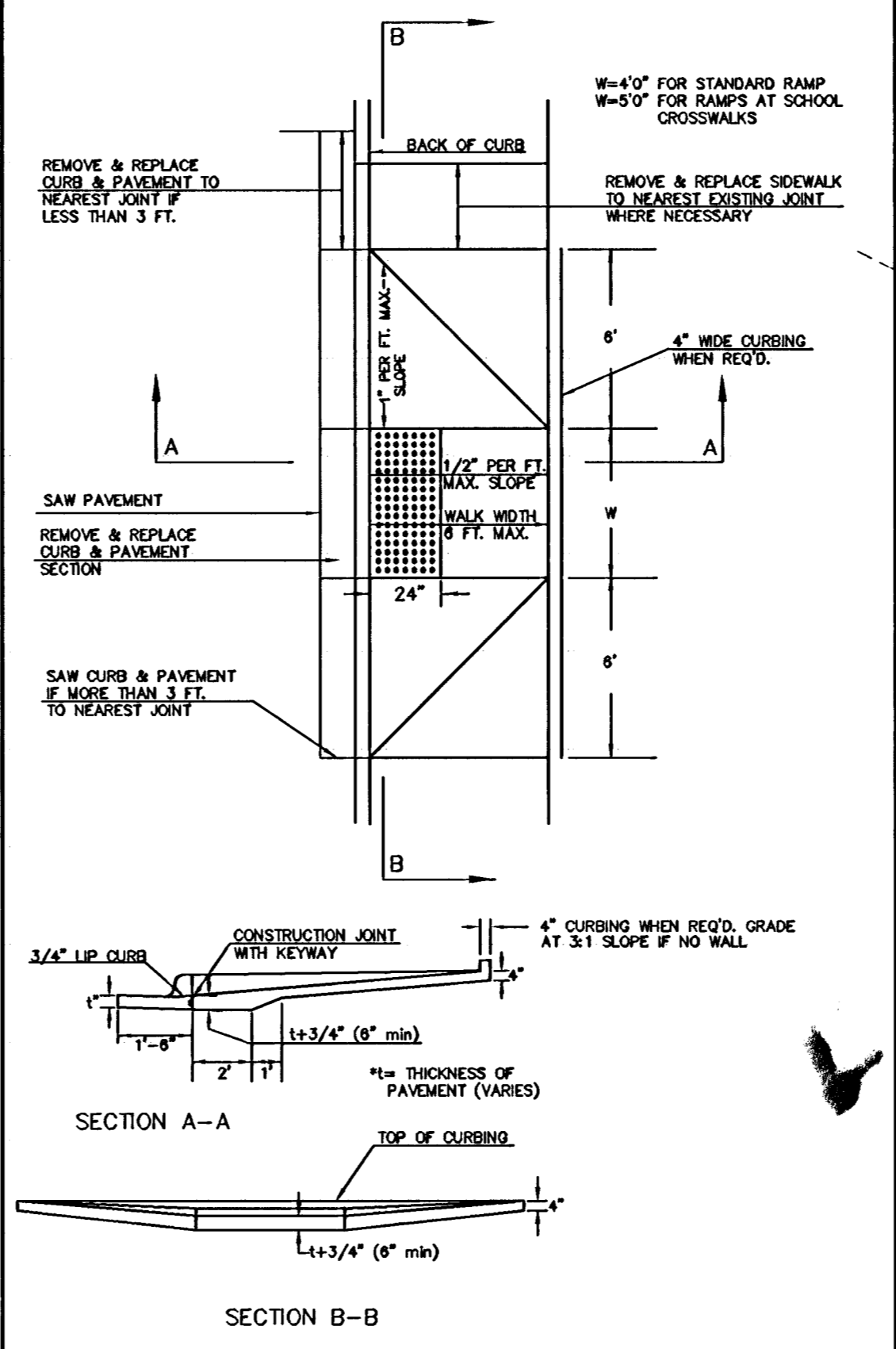
**STANDARD WHEELCHAIR RAMP CONSTRUCTION DETAIL FOR CONCRETE STREETS WITH MONOLITHIC CURB (TYPE A)**



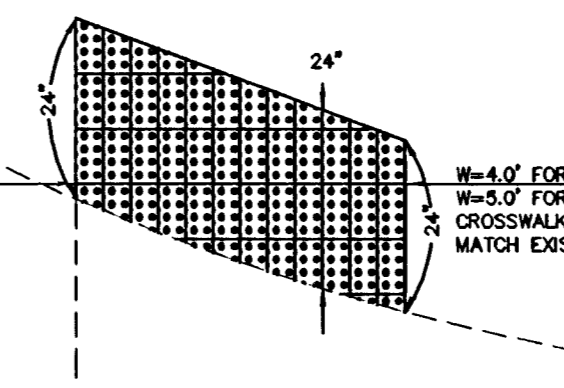
**STANDARD WHEELCHAIR RAMP CONSTRUCTION DETAIL FOR STREETS WITH COMBINED CURB & GUTTER AND FULL WALK (TYPE B)**



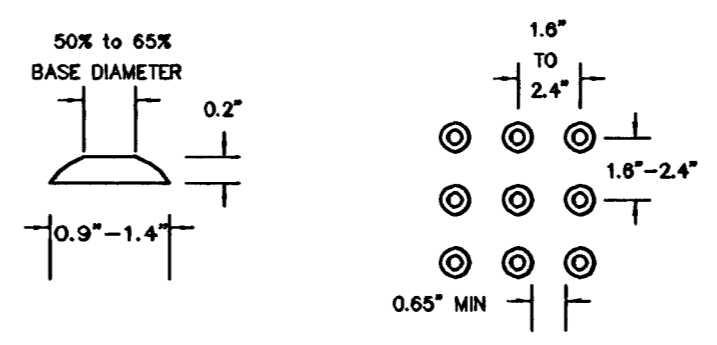
**STANDARD WHEELCHAIR RAMP CONSTRUCTION DETAIL FOR STREETS WITH MONOLITHIC CURB AND FULL WALK (TYPE B)**



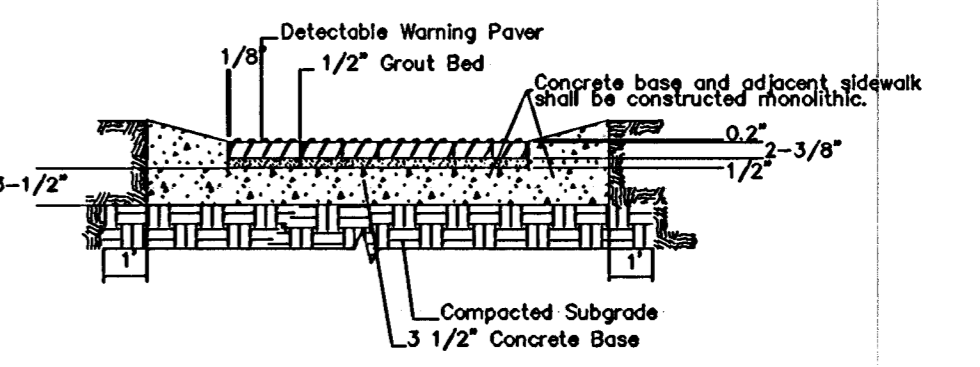
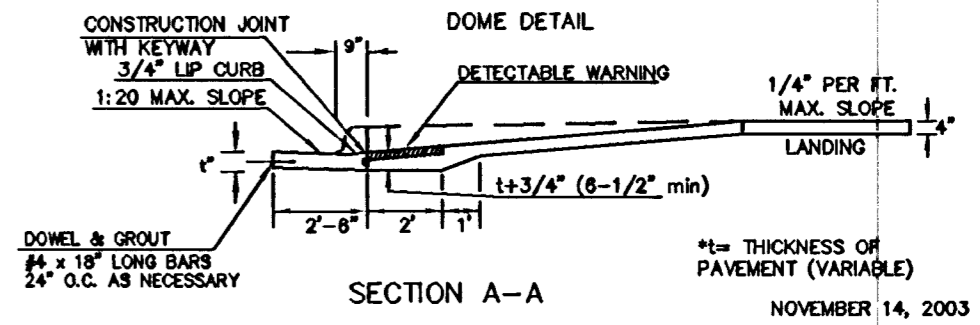
**TYPICAL BRICK PATTERN**



**BRICK PATTERN WHEN RAMP INTERSECTS A RADIUS**



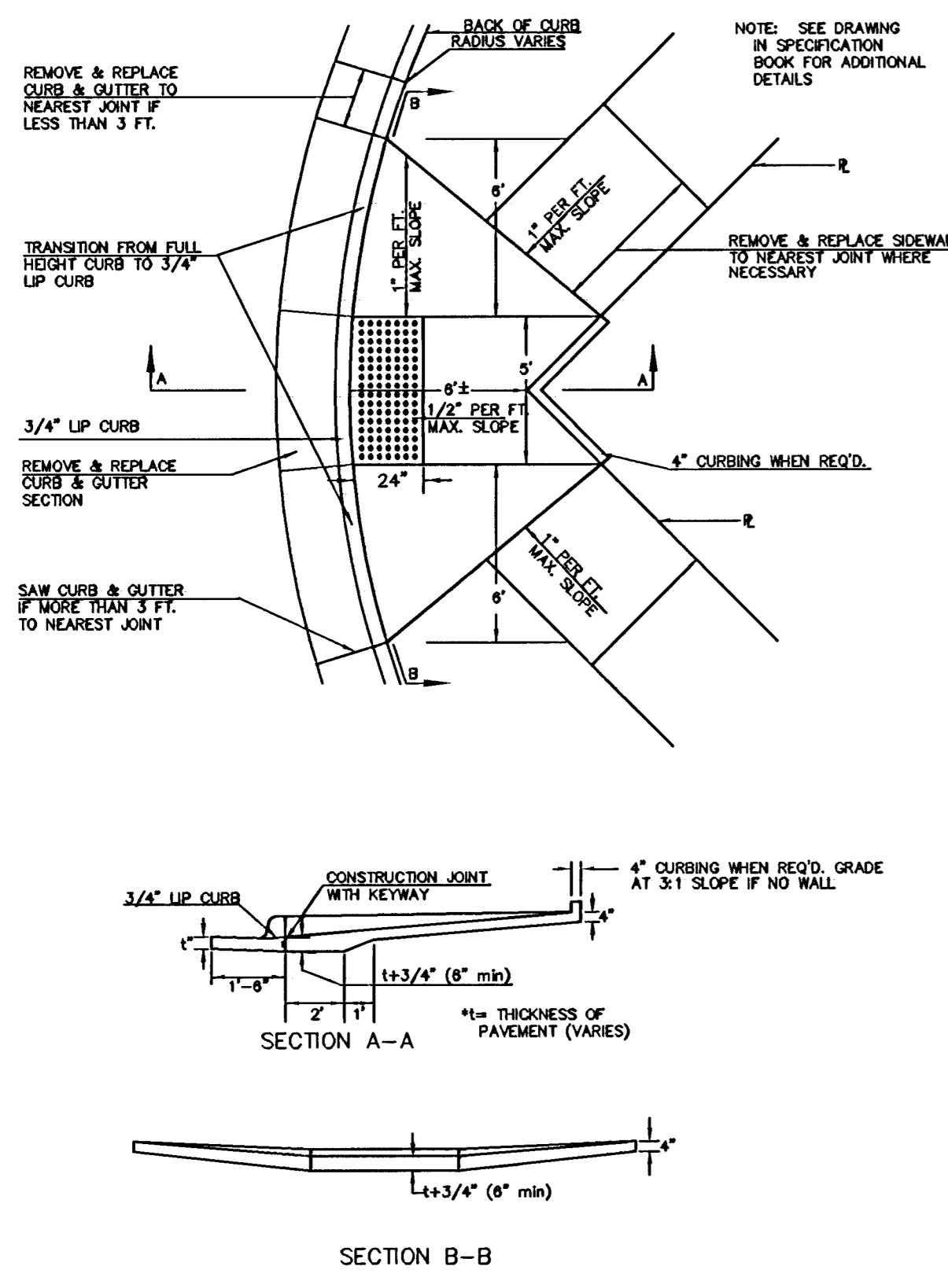
**DOMES DETAIL**



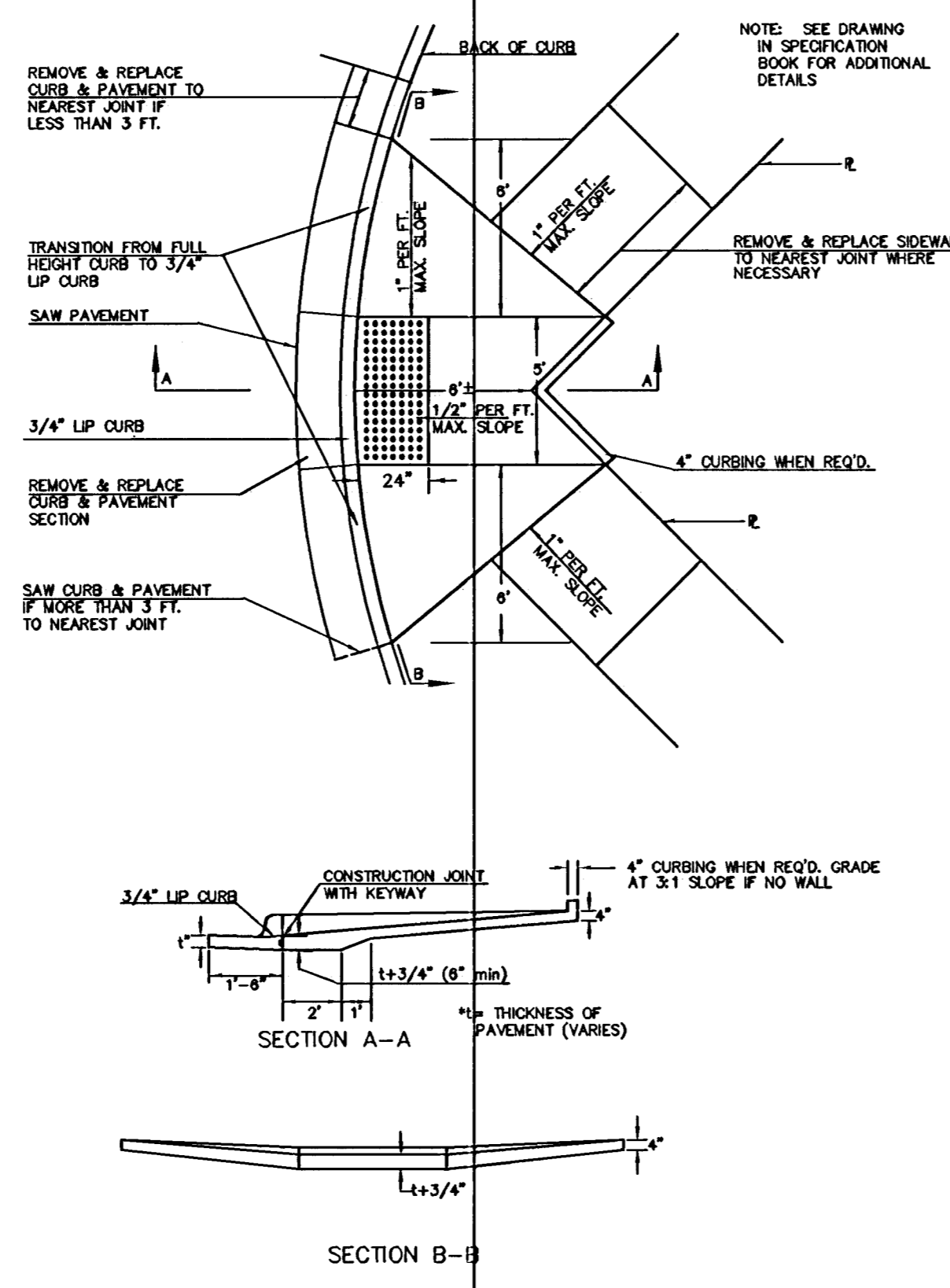
**TYPICAL SECTION DETECTABLE WARNING PAVEMENT**

NOTE: RAMP TO COMPLY WITH LATEST ADAAG GUIDELINES. PAVEMENT DETECTABLE WARNING PAVERS (OR AN APPROVED EQUAL) SHALL BE USED IN ALL WHEELCHAIR RAMPS. THE RED PAVEMENT SHALL BE INSTALLED USING A BASKET WEAVE/PARQUET PATTERN. OTHER PATTERNS MAY BE USED WITH APPROVAL OF ENGINEER. SAND FILL JOINTS. ALIGN DOMES IN THE DIRECTION OF PEDESTRIAN TRAVEL.

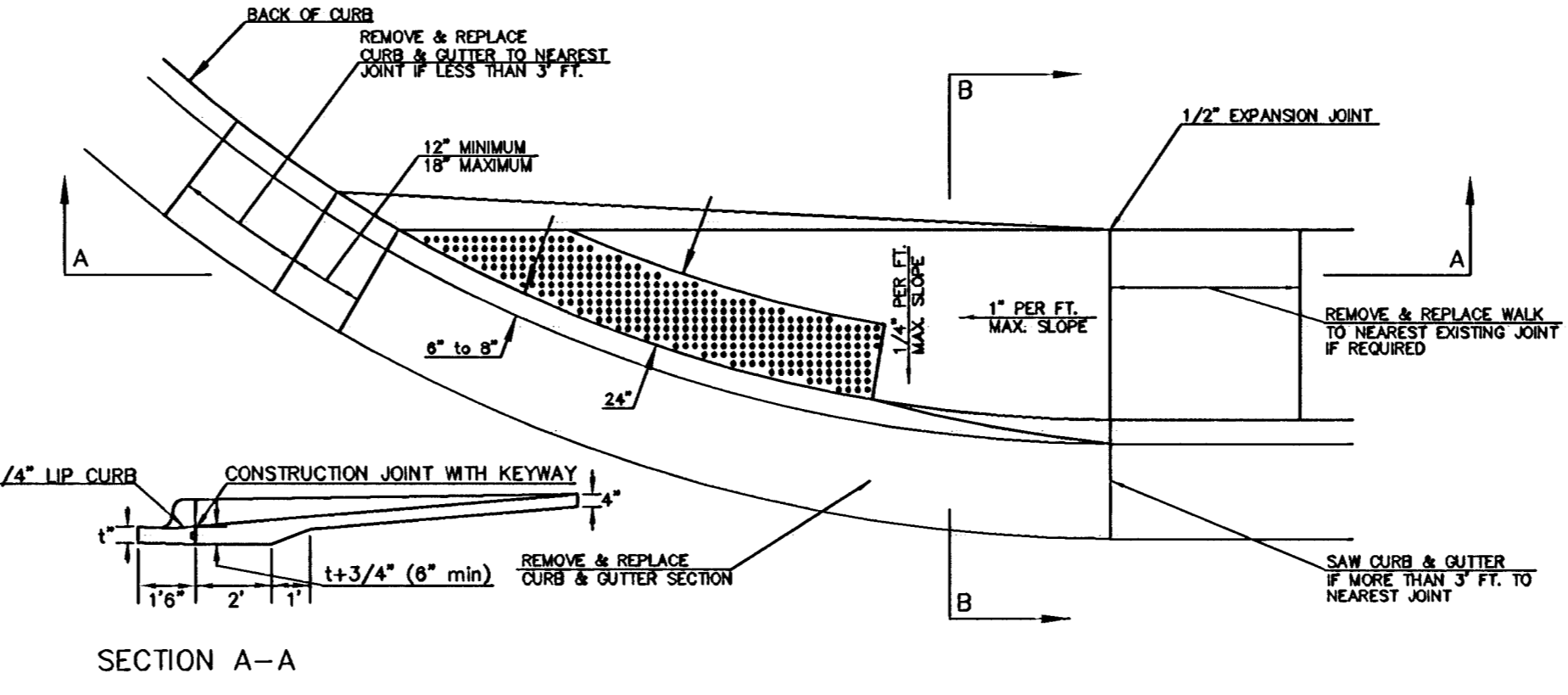
**STANDARD WHEELCHAIR RAMP CONSTRUCTION DETAIL FOR STREET WITH COMBINED CURB AND GUTTER ON RADIUS WITH 'B' FROM BACK OF CURB TO PROPERTY CORNER (TYPE C)**



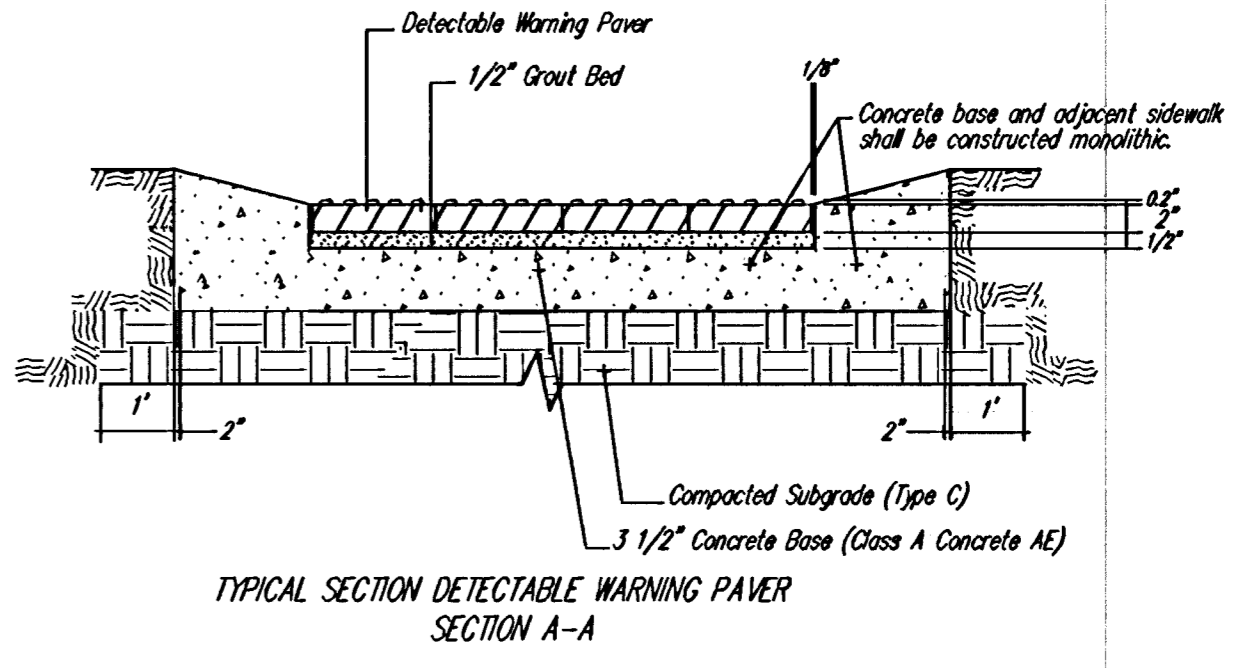
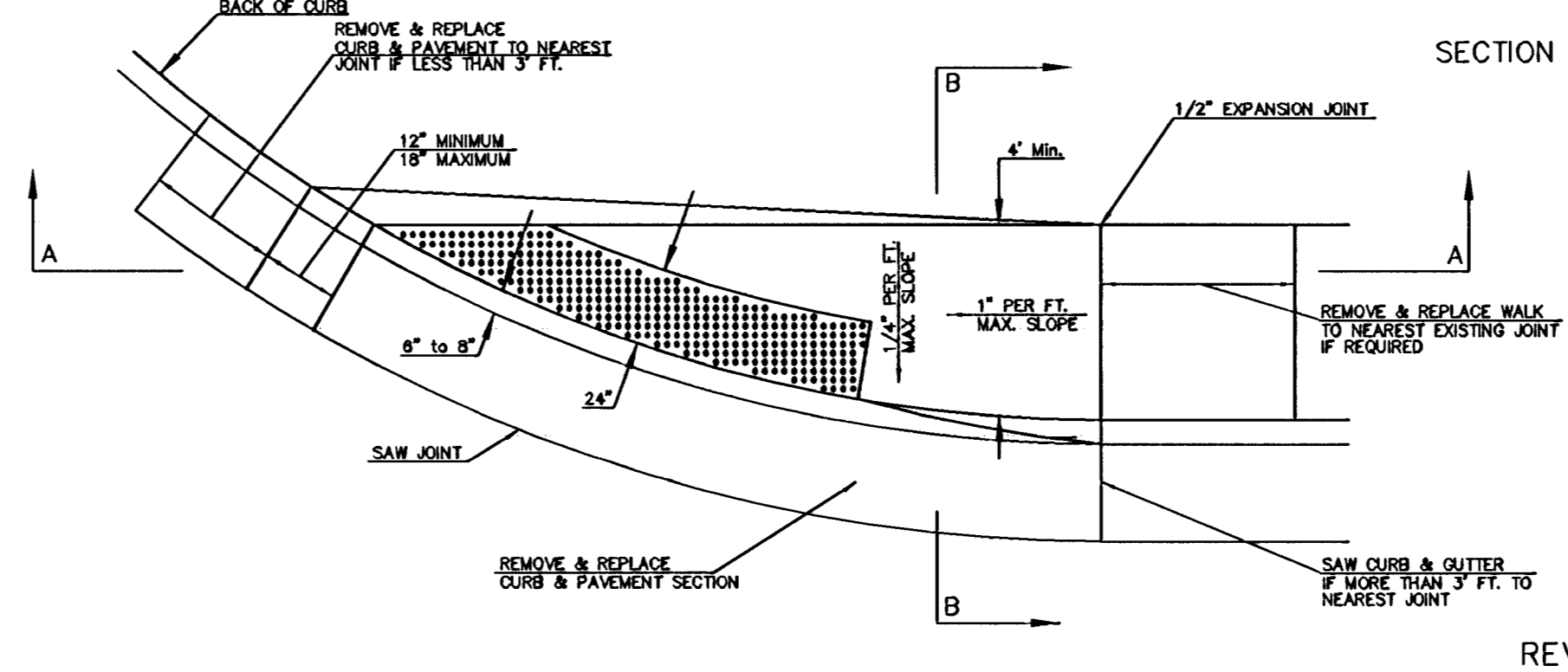
**STANDARD WHEELCHAIR RAMP CONSTRUCTION DETAIL FOR STREET WITH MONOLITHIC CURB ON RADIUS WITH 'B' FROM BACK OF CURB TO PROPERTY CORNER (TYPE C)**



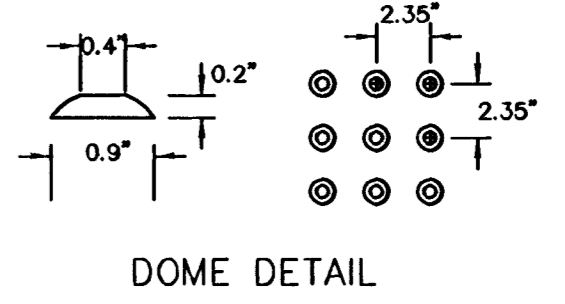
**STANDARD WHEELCHAIR RAMP CONSTRUCTION DETAIL FOR STREETS WITH COMBINED CURB & GUTTER WITH ONE FULL SIDEWALK (TYPE D)**



**STANDARD WHEELCHAIR RAMP CONSTRUCTION DETAIL FOR STREETS WITH MONOLITHIC CURB WITH ONE FULL SIDEWALK (TYPE D)**



NOTE: HANOVER DETECTABLE WARNING PAVERS (OR AN APPROVED ALTERNATE) SHALL BE USED IN ALL WHEELCHAIR RAMPS. THE 11 3/4" RED 15' PAVEMENT SHALL BE USED IN ALL APPLICATIONS. HANOVER ARCHITECTURAL PRODUCTS 240 BENDER ROAD HANOVER, PA 17331 1-717-637-0500 www.hanoverpavers.com



**DOMES DETAIL**



<b>WHEELCHAIR RAMP DETAILS</b>		
ACTING CITY ENGINEER <b>JIM ARMOUR, P.E.</b>		
PROJECT NUMBER 472-83718	OCA NUMBER 765989	DATE AUG 06
CITY ENGINEER'S OFFICE CITY HALL - SEVENTH FLOOR 455 NORTH MAIN STREET WICHITA, KANSAS 67202-1620 (316) 268-4500 (316) 268-4114 FAX		
DESIGN ABC	DRAWN DEF	SHEET <b>6 OF 36</b>