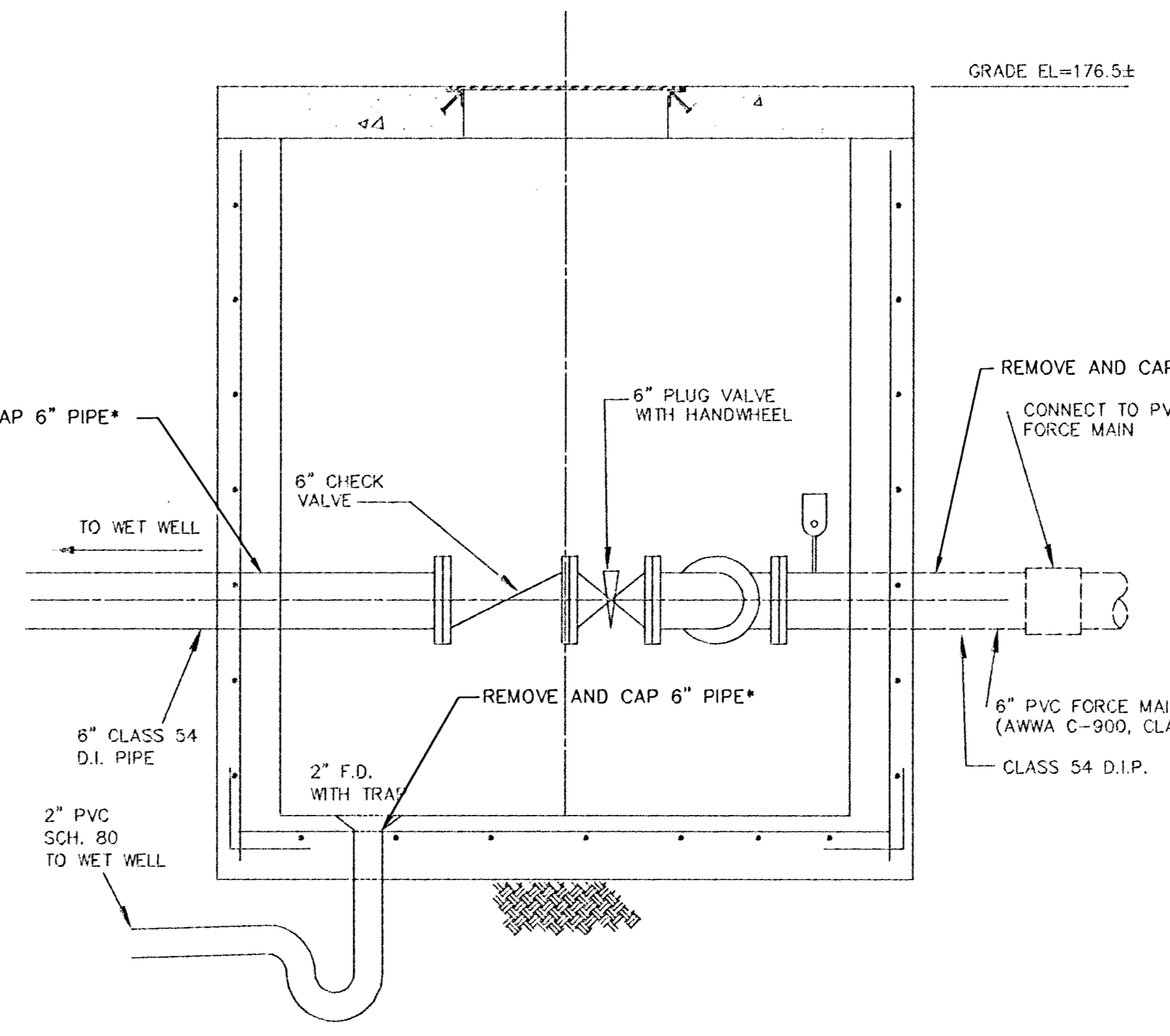


DUPLEX PUMP IN CONCRETE BASIN
N.T.S.

* PIPE TO BE REMOVED FROM WALL OF STRUCTURE TO A DISTANCE OF AT LEAST 5 FEET BEYOND THE OUTER WALL OF THE STRUCTURE AND CAPPED USING SPECIFIED MATERIALS. SIX-INCH FORCE MAIN(S) TO BE CAPPED USING APPROVED CI MJ CAP(S); 2" FLOOR DRAIN PIPE TO BE PLUGGED USING APPROVED PVC CAP. SEAL STRUCTURE WALL WITH APPROVED NON-SHRINK GROUT.



VALVE VAULT ELEVATION
N.T.S.

NOTES

- WHERE PIPE IS DESIGNATED FOR ABANDONMENT, THE CONTRACTOR SHALL SEAL BOTH ENDS OF PIPE WITH 3' LONG CONCRETE PLUGS. SAND BACKFILL INSIDE THE PIPES IS NOT REQUIRED FOR PIPES 12" DIA. OR LESS.
- MANHOLE RINGS AND COVERS, CHECK VALVES, PLUG VALVES, ACCESS HATCHES, GUIDE RAILS, PUMPS, DISCONNECT SWITCHES, AUTOMATIC TRANSFER SWITCH, GENERATOR, MAIN POWER ZONE, MULTITRODE, FLOAT SWITCHES, HOFFMAN ENCLOSURE, RADIO TOWER, SCADA SYSTEM, AND AIR RELEASE VALVE TO BE SALVAGED BY CONTRACTOR TO THE CITY.
- ALL ABANDONMENT AND REMOVAL OF EXISTING STRUCTURES, MATERIAL AND PIPING SHALL BE INCLUDED IN THE LUMP SUM PRICE BID FOR THE PUMP STATION ABANDONMENT/REMOVAL. ALSO INCLUDED IN THE LUMP SUM PRICE BID FOR THIS ITEM SHALL BE MAINTAINING WASTEWATER FLOWS.
- PRIOR TO ANY PUMP STATION OR FORCE MAIN ABANDONMENT OR REMOVAL THE CONTRACTOR SHALL GIVE 48 HOURS (MIN.) NOTICE TO THE CITY. CONTACT TIM HOPWOOD AT (316) 303-8787.
- CONTRACTOR SHALL NOT DIVERT ANY SEWAGE FLOW THROUGH NEW PIPE OR MANHOLES UNTIL TESTING HAS BEEN COMPLETED AND ACCEPTED.
- CONTRACTOR SHALL VISIT THE PUMP STATION SITE AND BECOME FAMILIAR WITH THE EXISTING PUMP STATION AND EQUIPMENT AND SUBSEQUENT DEMOLITION.
- CONTRACTOR SHALL COORDINATE TRANSFORMER, AND UTILITY POLE REMOVAL WITH THE PROPER UTILITY.

ELECTRIC:
Mr. Randy Trull
Westar Energy
(316) 261-6512

WATER:
Mr. Bill Perkins
City of Wichita
(316) 268-4555

SEWER:
Tim Hopwood
City of Wichita
(316) 303-8787

WET WELL CONVERSION NOTES

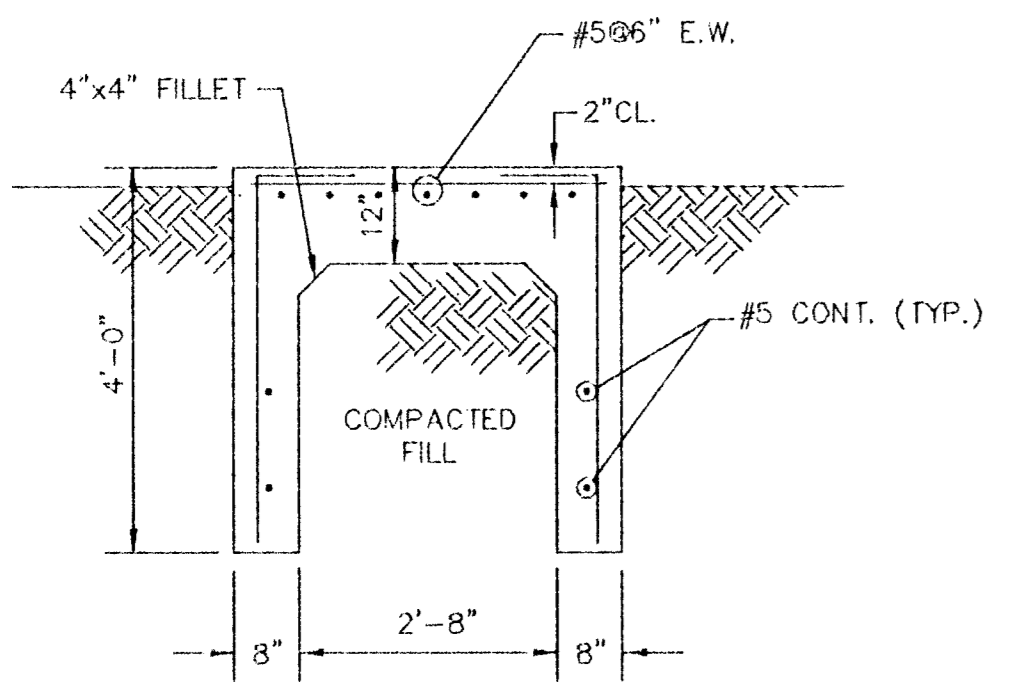
- REMOVE/SALVAGE ALL PIPING, FITTINGS, VALVES, PIPE COUPLINGS, PUMPS, CONTROL PANEL, ELECTRICAL PANEL, GENERATOR, AND EQUIPMENT.
- CONTRACTOR SHALL REMOVE 5 L.F. FROM EXISTING FORCE MAIN, BEFORE SEALING PIPE. CONTRACTOR SHALL THOROUGHLY FLUSH FORCE MAIN WITH CLEAN WATER AND SHALL AVOID FLUSHING DURING PEAK HOUR FLOWS. ONCE FORCE MAIN IS CLEANED, BOTH ENDS SHALL BE CUT AND CAPPED WITH CI MJ CAPS.

SALVAGE ITEMS

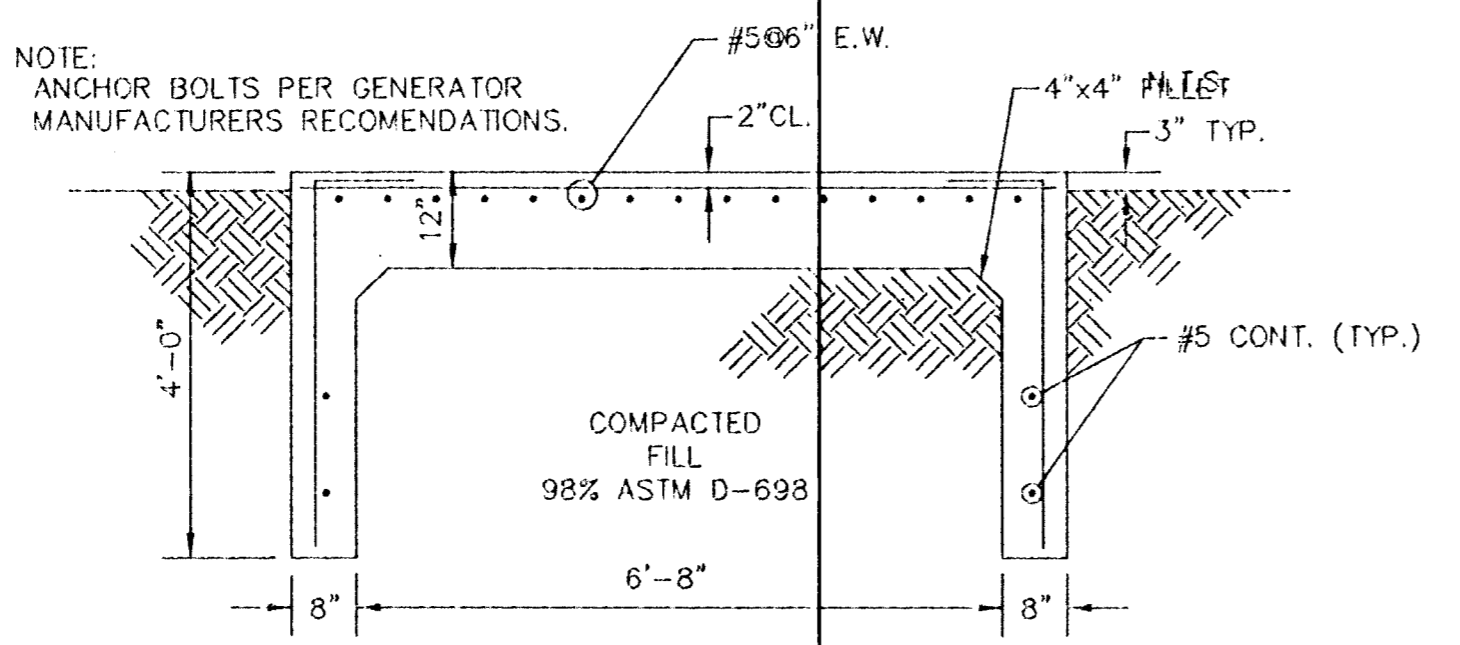
THE CONTRACTOR SHALL COORDINATE WITH TIM HOPWOOD, WICHITA WATER AND SEWER DEPARTMENT CONCERNING ITEMS TO BE SALVAGED. ANY ITEMS TO BE SALVAGED SHALL BE DELIVERED TO THE CITY. ITEMS TO BE DISPOSED OF AS DIRECTED BY THE CITY SHALL BE DISPOSED OF IN AN ACCEPTABLE LOCATION.

DEMOLITION NOTES

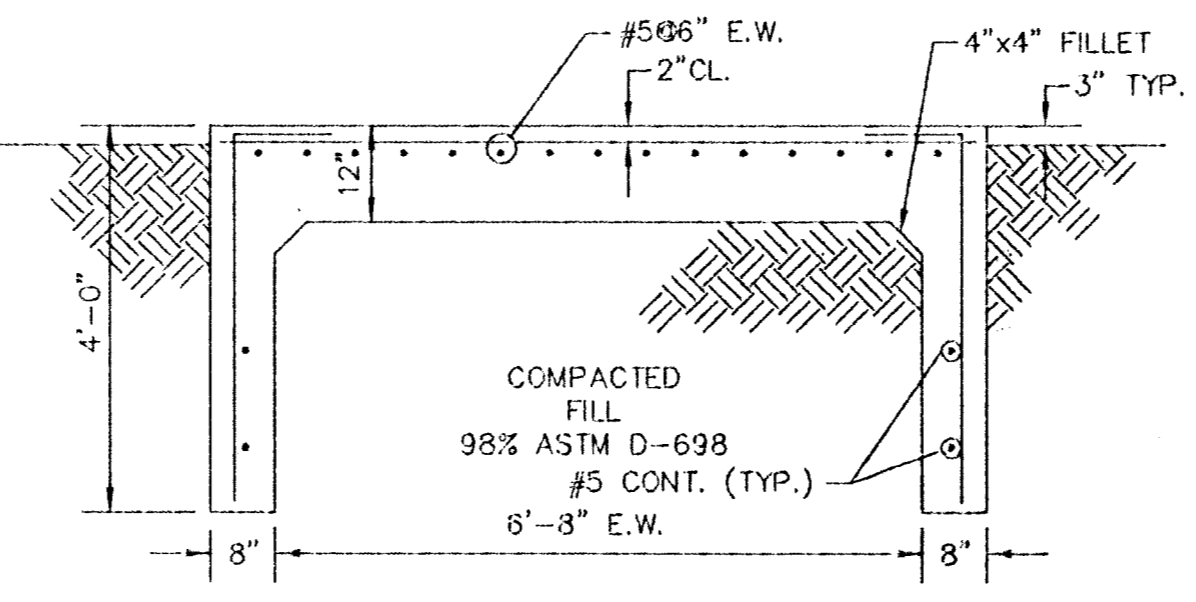
- PRIOR TO BEGINNING ANY SALVAGE/DEMOLITION WORK, THE CONTRACTOR SHALL CONTACT THE UTILITY COMPANIES (WESTAR, KANSAS GAS SERVICE, SBC, ETC.) AND REQUEST THAT ALL UTILITY SERVICE BE DISCONNECTED. ANY COSTS INCURRED BY THE UTILITY COMPANIES SHALL BE PAID BY THE CONTRACTOR.
- DRIVE AND PUMP STATION CONCRETE PAD AND CULVERT SHALL BE REMOVED BY THE CONTRACTOR.
- REMOVED ITEMS SHALL BE CLEANED AND STOCKPILED ON SITE FOR THE ENGINEERS INSPECTION. ACCEPTABLE ITEMS SHALL BE DELIVERED BY THE CONTRACTOR TO CITY OF WICHITA SANITARY SEWER TREATMENT PLANT #2 AT 2305 E. 57TH STREET SOUTH.
- FOLLOWING THE SALVAGE OPERATIONS, THE AIR RELEASE VALVE VAULT AND PUMP STATION VALVE VAULT SHALL BE DEMOLISHED TO AN ELEVATION OF 4 FEET (MINIMUM) BELOW THE ADJACENT GROUND LINE.
- CONCRETE RUBBLE, OTHER DEBRIS, AND UNSALVAGEABLE MATERIALS SHALL BE DISPOSED AS APPROVED AND DIRECTED BY THE CITY ENGINEER.
- STRUCTURES TO BE ABANDONED SHALL BE COMPLETELY REMOVED TO AN ELEVATION OF 4' BELOW FINISHED GRADE. THE REMAINING PORTION OF THE ABANDONED STRUCTURES SHALL BE BACKFILLED WITH SAND TO AN ELEVATION OF 2' BELOW GRADE. THE TOP 2' OF THE EXCAVATION SHALL BE BACKFILLED WITH COMPACTED MATERIAL SIMILAR TO THE ADJACENT SURFACE TO 95% OF ASTM D698.
- AFTER BACKFILLING, THE ENTIRE SITE DISTURBED BY DEMOLITION SHALL BE CLEARED OF ALL DEBRIS, CONCRETE RUBBLE, ETC., AND GRADED TO DRAIN.
- ALL WORK DESCRIBED ABOVE, INCLUDING THE WET WELL CONVERSION AND ANY INCIDENTAL WORK NECESSARY SHALL BE CONSIDERED SUBSIDIARY TO THE LUMP SUM PRICE BID FOR THE PUMP STATION ABANDONMENT/REMOVAL.
- FOLLOWING SITE GRADING, THE CONTRACTOR SHALL SOO ALL AREAS DISTURBED BY HIS OPERATIONS PER SPECIFICATIONS. SODDING SHALL BE CONSIDERED SUBSIDIARY TO THE LUMP SUM PRICE BID FOR "LANDSCAPING".



GENSET PAD DETAIL
N.T.S.

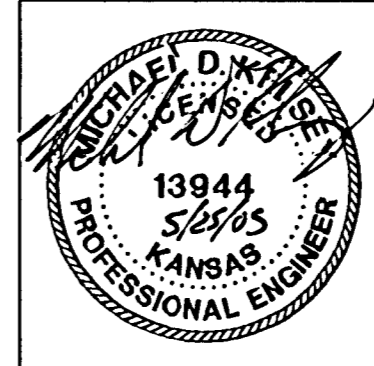


GENSET PAD DETAIL
N.T.S.



BUILDING PAD DETAIL
N.T.S.

DSNR: MDK OPER: JAC SCALE: 1=1.00 03:34:55 pm
C:\2004\04219\002\Subabandonment 05-24-2005



No.	Revision	By	Date
MAIN 16 OF THE FOUR MILE CREEK SEWER PUMP STATION ABANDONMENT			
JAMES L. ARMOUR, P.E. - CITY ENGINEER CITY OF WICHITA PROJECT NO. 468-83803			
Professional Engineering Consultants, P.A. 303 S. TOPEKA • WICHITA, KANSAS 67202 316-262-2691 • FAX 316-262-3003			
Designed by	MDK	Job No.	04219-002
Drawn by	JGA	Date	MAY 2004
			Sht. 15 of 26