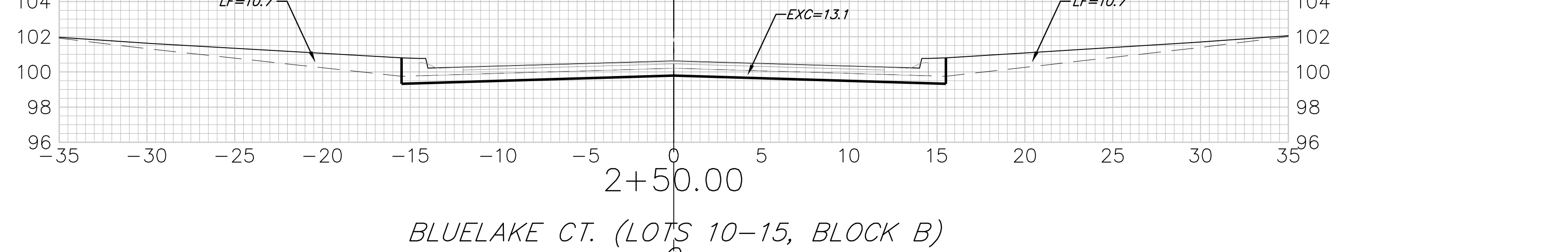
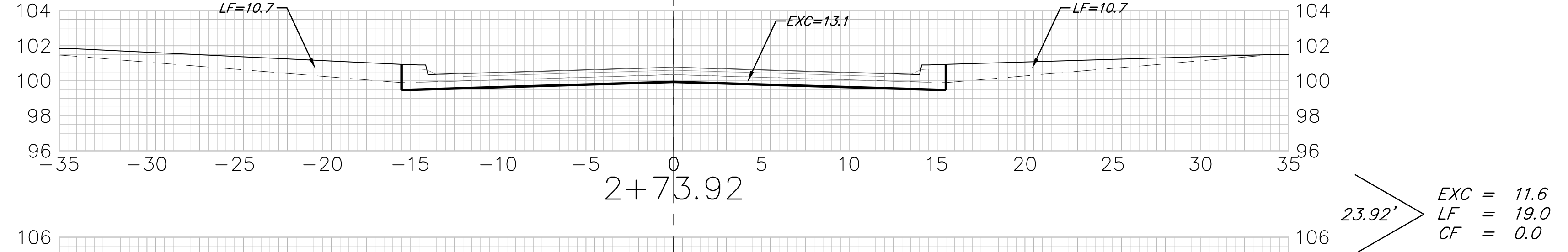
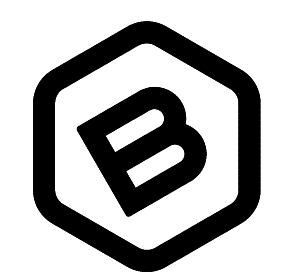
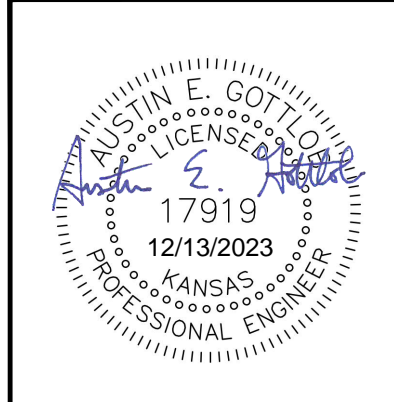


BLUELAKE CT. (LOTS 16-22, BLOCK B)



BLUELAKE CT. (LOTS 10-15, BLOCK B)



BAUGHMAN COMPANY
 315 Ellis St.
 Wichita, KS 67211
 316-262-7271
 BaughmanCo.com

BLUE LAKE 3RD ADD.
 Phase 1

CROSS SECTIONS

STREET IMPROVEMENTS

PROJECT NUMBER:
 23-01-E416

DESIGN: AEG DRAWN: TMS
 DATE: October 9, 2023

SHEET **34** OF **39**

Sheet Totals
 Excavation = 144.3 C.Y.
 Loose Fill = 117.9 C.Y.
 Compacted Fill = 0.0 C.Y.

File: E:\Projects\Blue Lake 3rd Addition_22-02-P755\Engineering\Phase 1\STR 23-01-E416\Street.dwg