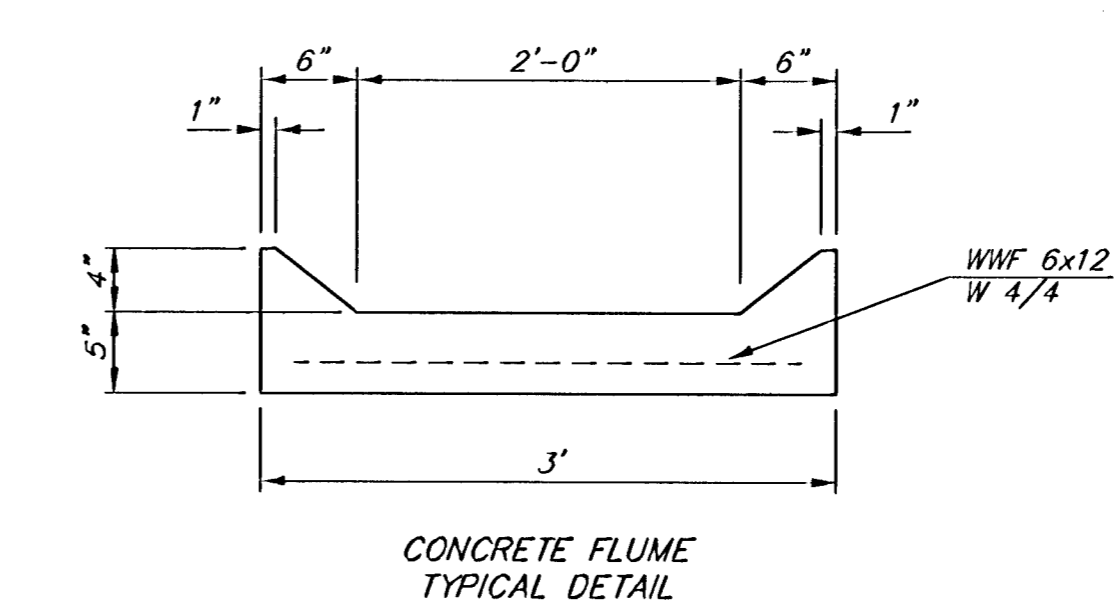
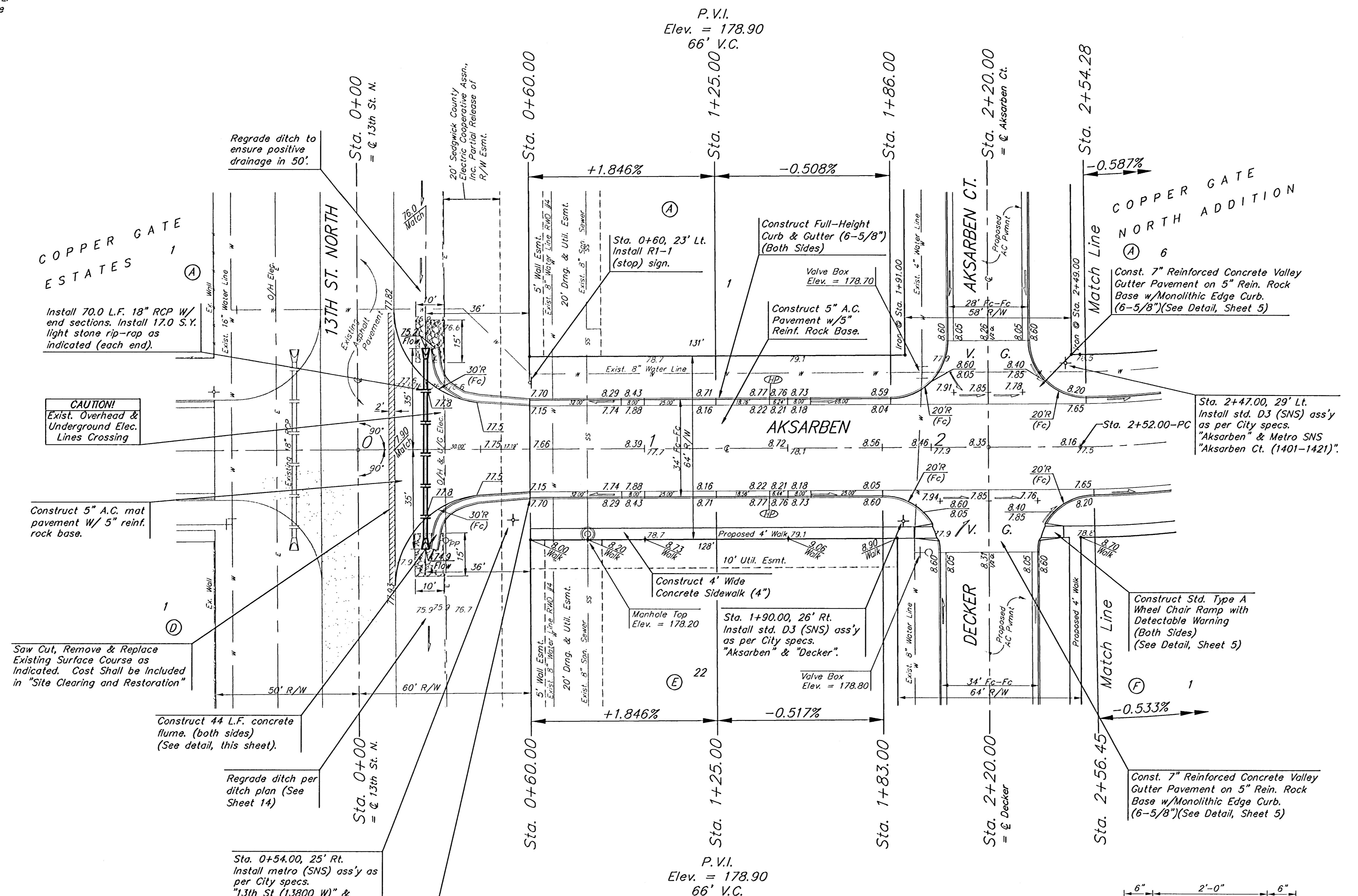
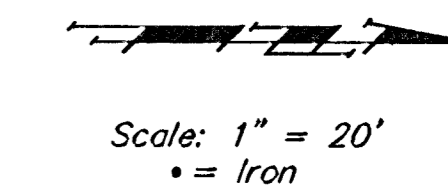


**BENCHMARKS:**

BM #1: C.O.W. disc at SW corner of intersection.  
30.00± S. of CL of 13th St. N.  
35.00± W. of CL of 135th St. W.  
Elev. = 168.25 City Datum

BM #2: Small RR spike in 4th HLP  
W. of 135th St. W. on south side  
of 13th St. N. (N. face of HLP).  
Elev. = 179.24 City Datum

BM #3: RR spike in Power Pole.  
1321.65 W. of 135th St. W.  
30' N. of 13th St. N.  
Elev. = 178.45 City Datum



		Copper Gate North Addition - Phase I	
		<b>AKSARBEN</b> STA. 0+00 TO STA. 2+54.28	
Baughman Company, P.A. 315 Ellis St. Wichita, KS 67211 P 316.262.7171 F 316.262.0149 ENGINEERING   SURVEYING   PLANNING   LANDSCAPE ARCHITECTURE			
PROJECT NUMBER 472-84104	DESIGN NBW	DRAWN TMS/JAK	DATE 10/05/05
REVISIONS:	APPROVED	SCALE Noted	SHEET
			<b>6 OF 28</b>
Copper Gate North Phase I (Str 1)			0502.E162