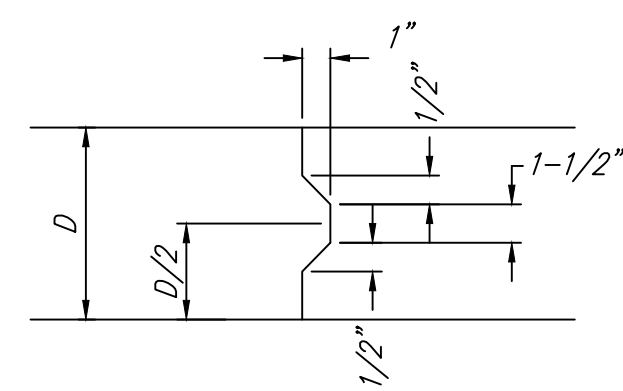
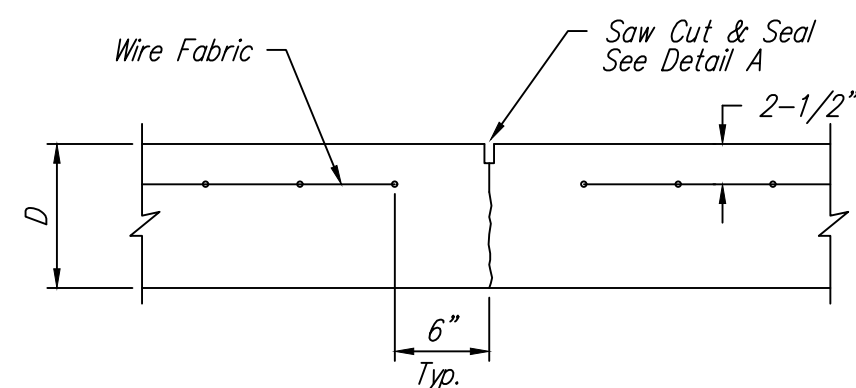


EXPANSION JOINT

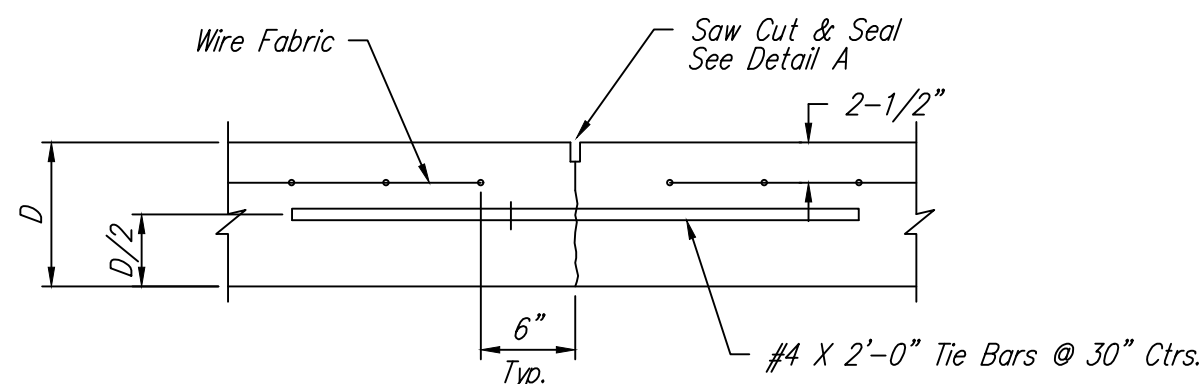
NOTE: Extra Thickness to be Subsidiary to Price of Square Yards Pavement



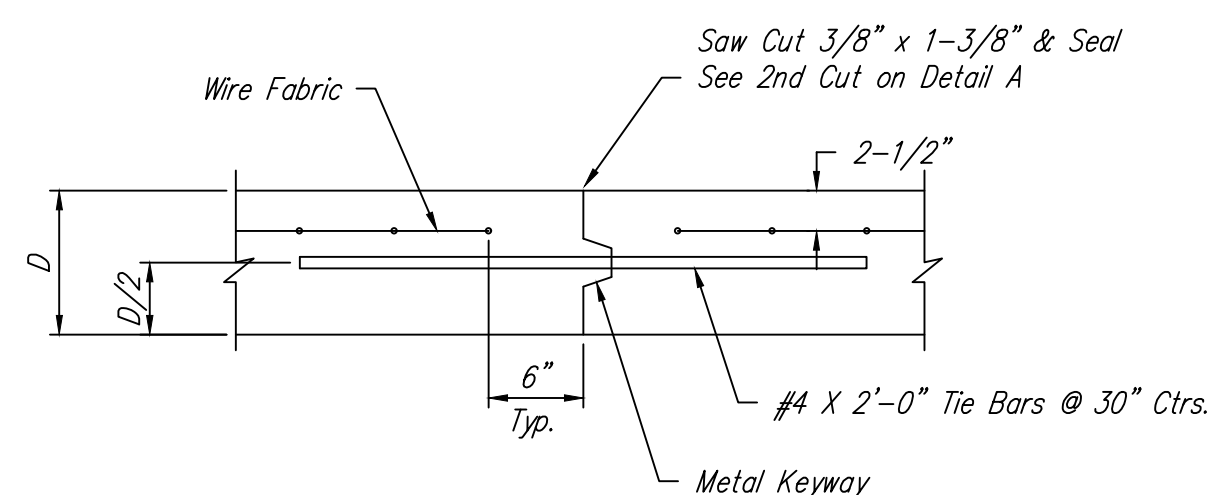
KEYWAY DETAIL



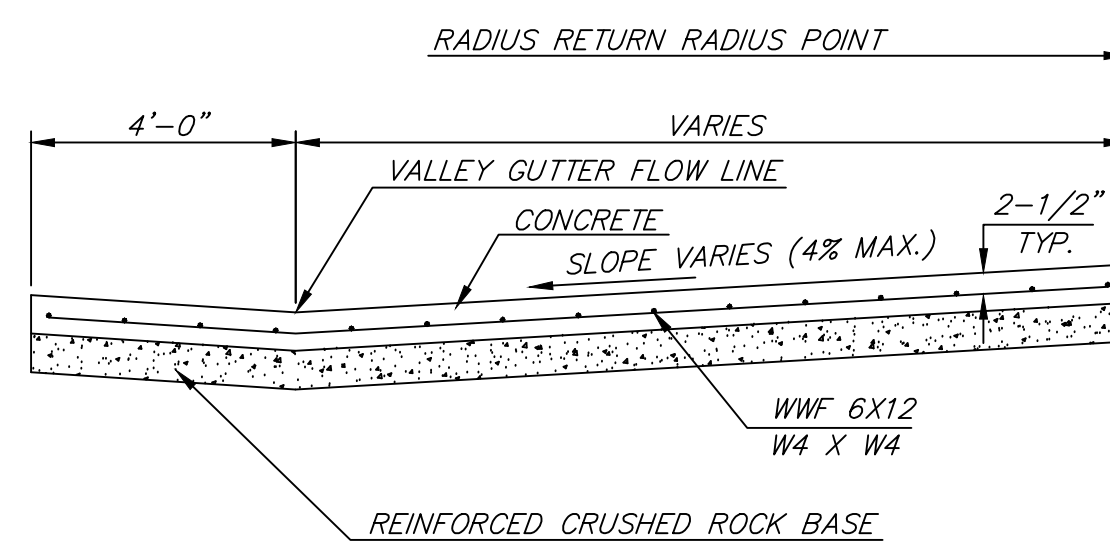
CONTRACTION JOINT DETAIL (C.J.)



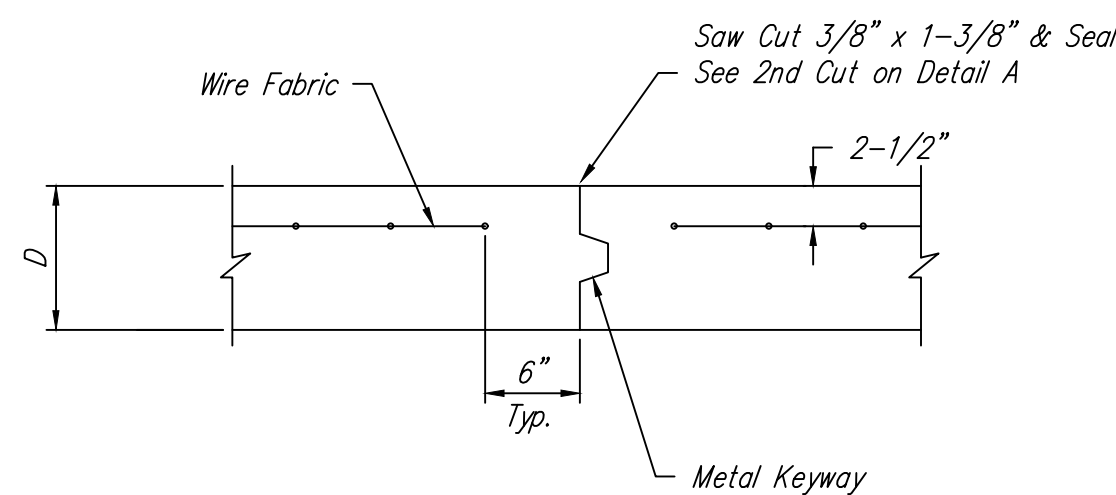
LONGITUDINAL JOINT DETAIL (L.J.)



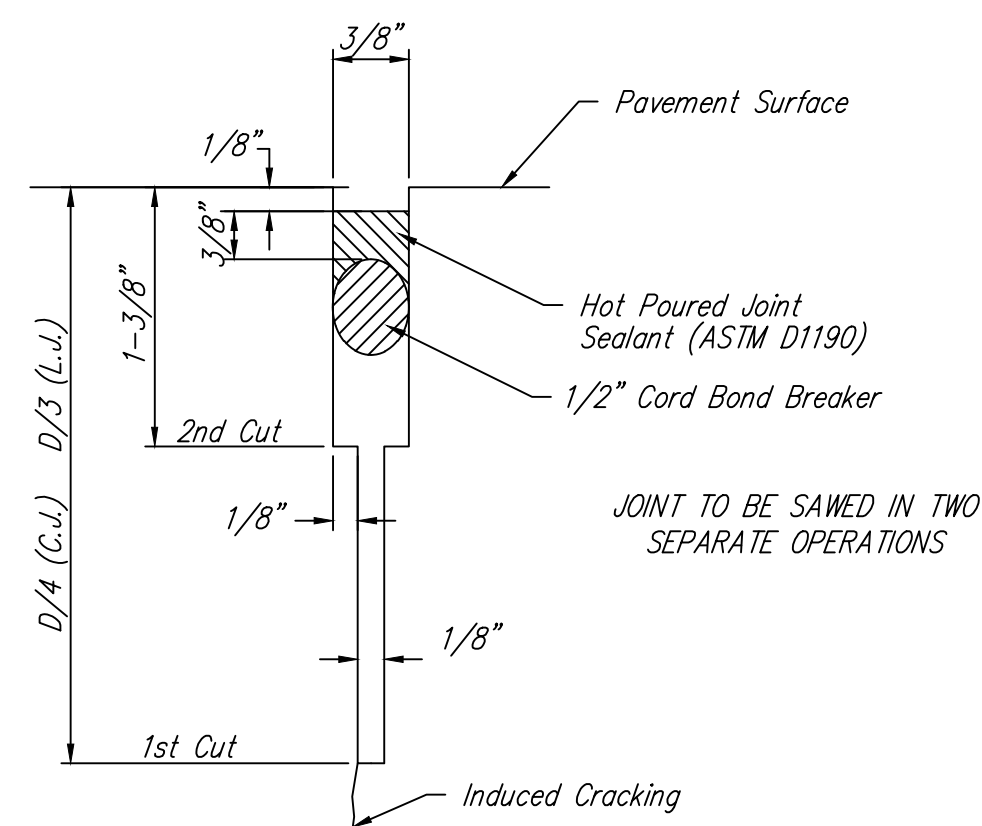
OPTIONAL LONGITUDINAL JOINT DETAIL (L.J.)



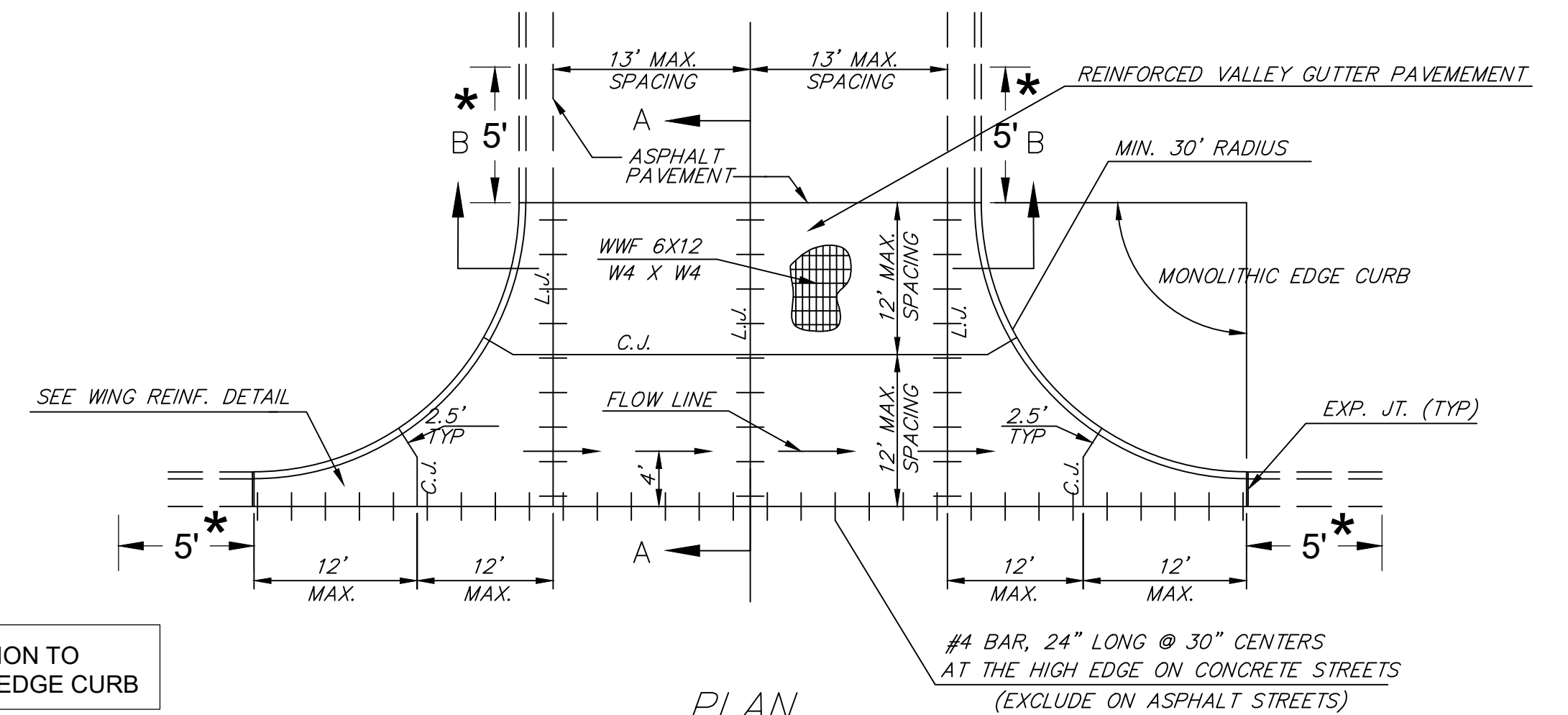
SECTION A-A



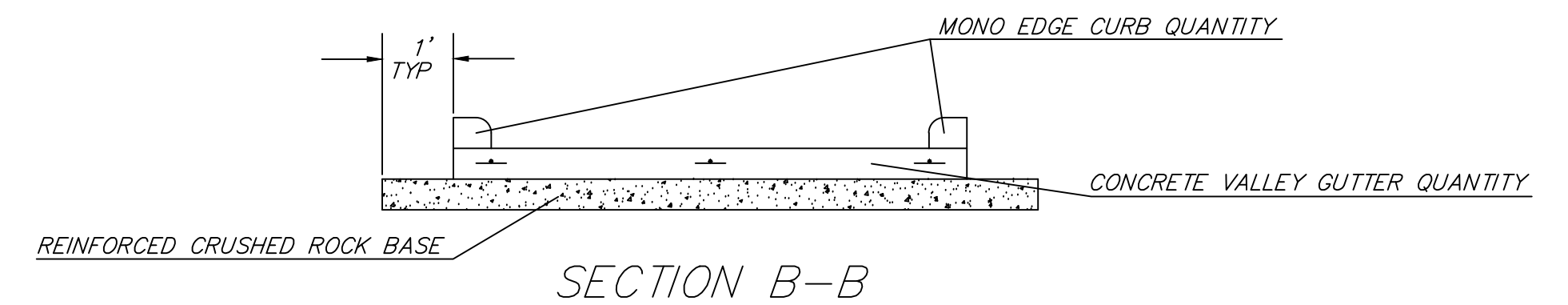
OPTIONAL CONTRACTION JOINT



SAW JOINT DETAIL (DETAIL A)



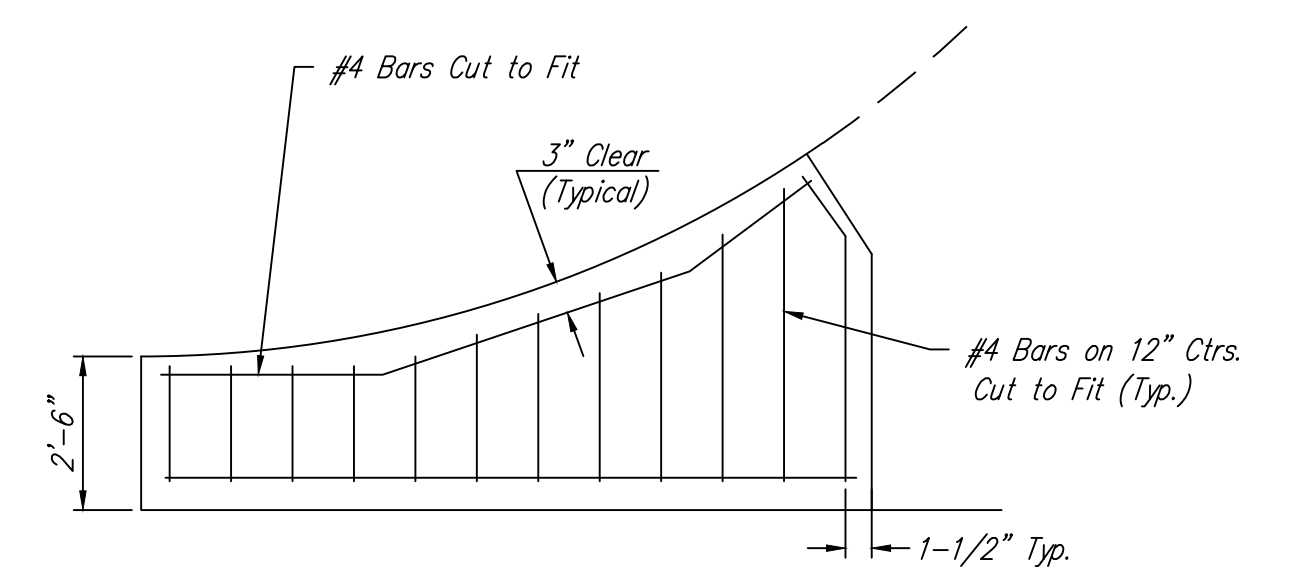
PLAN




SECTION B-B

* 5'-0" TRANSITION TO MONOLITHIC EDGE CURB

REINFORCED VALLEY GUTTER DETAIL



WING REINFORCING DETAIL

REVISION MAY 2017	SECTION B-B, ROCK EXTENDED ONE FOOT BEYOND PAVEMENT		
			
VALLEY GUTTER DETAILS			
CITY ENGINEER GARY JANZEN, P.E.			
PROJECT NUMBER 472-2023-085907	OCA NUMBER 47474523	DATE	
CITY ENGINEER'S OFFICE CITY HALL - SEVENTH FLOOR 455 NORTH MAIN STREET WICHITA, KANSAS 67202-1620 (316) 268-4501			SHEET 5
			69