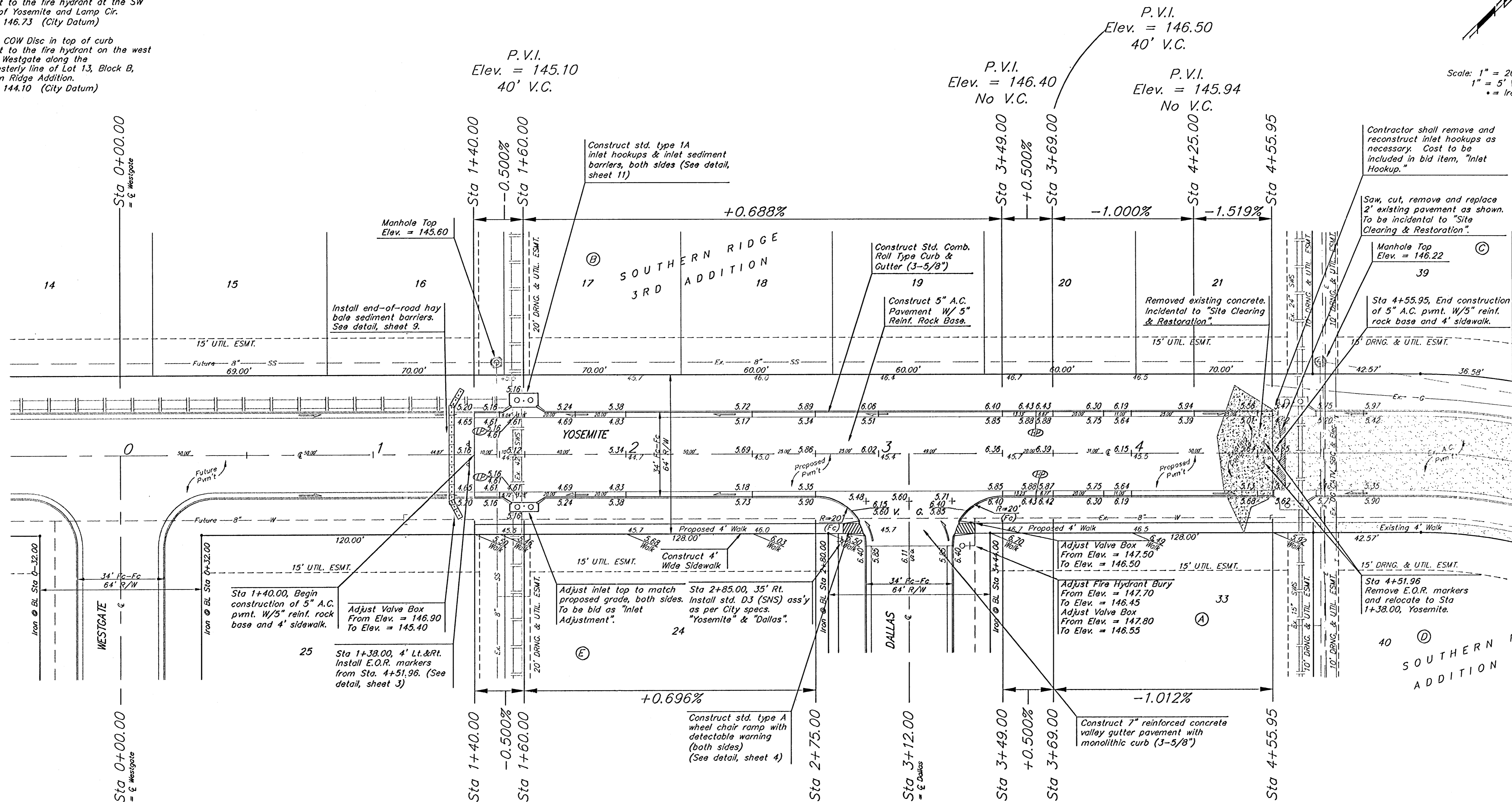
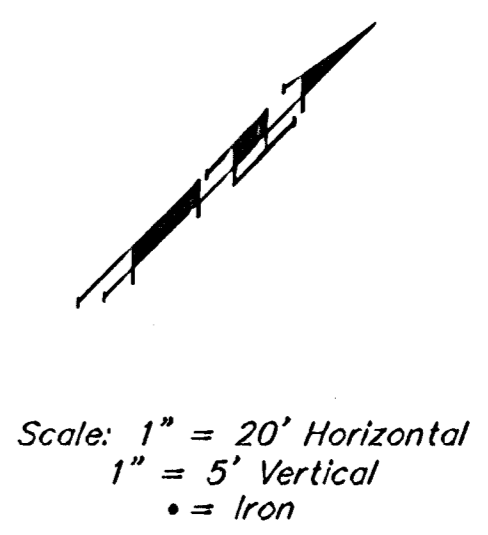


BENCHMARKS:

BM #1: COW Disc in top of curb adjacent to the fire hydrant at the SW corner of Yosemite and Lamp Cir. Elev. = 146.73 (City Datum)

BM #2: COW Disc in top of curb adjacent to the fire hydrant on the west side of Westgate along the southwestern line of Lot 13, Block B, Southern Ridge Addition. Elev. = 144.10 (City Datum)



P.V.I.
Elev. = 145.10
40' V.C.

P.V.I.
Elev. = 146.40
No V.C.

P.V.I.
Elev. = 146.50
40' V.C.

P.V.I.
Elev. = 145.94
No V.C.

P.V.I.
Elev. = 145.10
40' V.C.

P.V.I.
Elev. = 146.50
40' V.C.

NOTE: ROLL TYPE CURB & GUTTER TO BE CONSTRUCTED ON THE PAVEMENT SHOWN ON THIS SHEET. TOP OF CURB ELEVATIONS ARE GIVEN FOR FULL HEIGHT CURB.

		SOUTHERN RIDGE 3RD ADDITION - PH I	
		YOSEMITE STA 1+44.87 TO STA 4+55.95	
Baughman Company, P.A. 315 0814 & 0815, WAHOO, KS 67111 F316263721 F316265049 ENGINEERING SURVEYING PLANNING LANDSCAPE ARCHITECTURE			
PROJECT NUMBER 41284188	DESIGN TJW	DRAWN TJW/TMS	
REVISIONS	APPROVED AEQ	DATE 09/05	
	SCALE Noted	SHEET 5 OF 17	
Southern Ridge Jrd/SR/Str L.dwg		0501-E151	