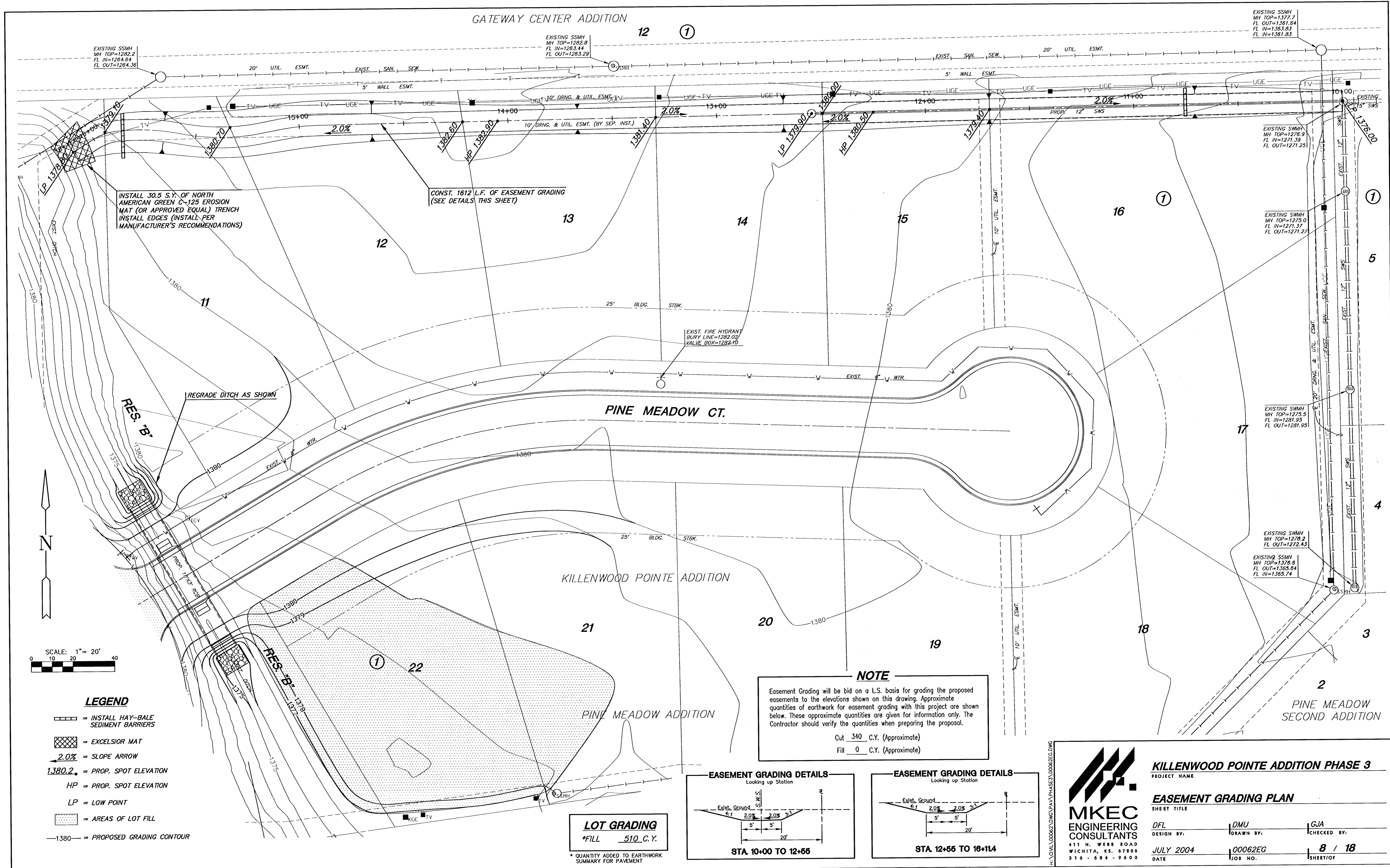


GATEWAY CENTER ADDITION



INSTALL 30.5 S.Y. OF NORTH AMERICAN GREEN C-125 EROSION MAT (OR APPROVED EQUAL) TRENCH INSTALL EDGES (INSTALL PER MANUFACTURER'S RECOMMENDATIONS)

CONST. 1612 L.F. OF EASEMENT GRADING (SEE DETAILS THIS SHEET)

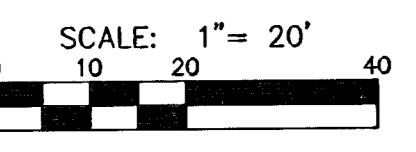
REGRADE DITCH AS SHOWN

PINE MEADOW CT.

KILLENWOOD POINTE ADDITION

PINE MEADOW ADDITION

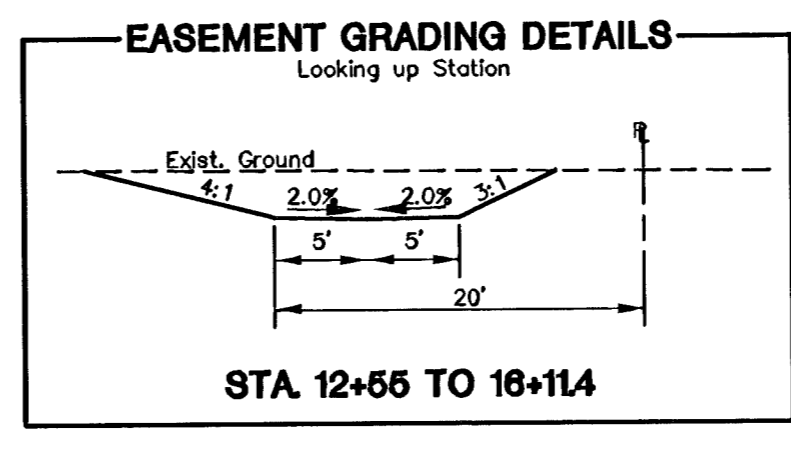
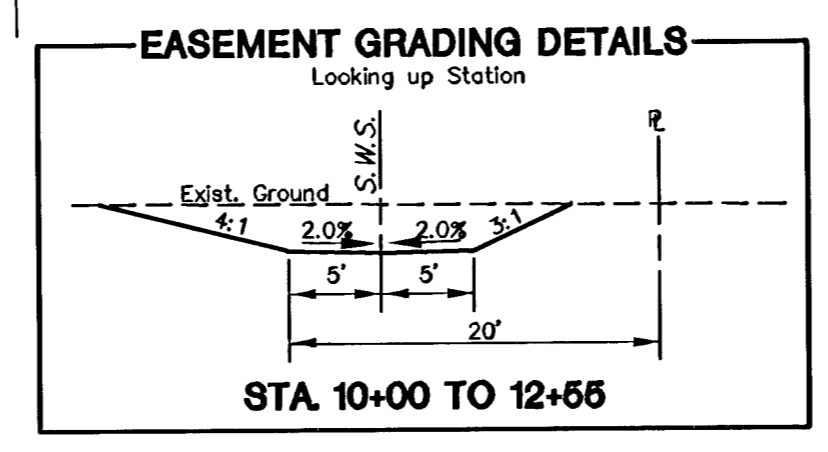
PINE MEADOW SECOND ADDITION



- LEGEND**
- = INSTALL HAY-BALE SEDIMENT BARRIERS
 - = EXCELSIOR MAT
 - = 2.0% = SLOPE ARROW
 - 1380.2 = PROP. SPOT ELEVATION
 - HP = PROP. SPOT ELEVATION
 - LP = LOW POINT
 - = AREAS OF LOT FILL
 - 1380 = PROPOSED GRADING CONTOUR

NOTE
 Easement Grading will be bid on a L.S. basis for grading the proposed easements to the elevations shown on this drawing. Approximate quantities of earthwork for easement grading with this project are shown below. These approximate quantities are given for information only. The Contractor should verify the quantities when preparing the proposal.
 Cut 340 C.Y. (Approximate)
 Fill 0 C.Y. (Approximate)

LOT GRADING
 *FILL 510 C.Y.
* QUANTITY ADDED TO EARTHWORK SUMMARY FOR PAVEMENT



KILLENWOOD POINTE ADDITION PHASE 3
 PROJECT NAME

EASEMENT GRADING PLAN
 SHEET TITLE

DFL DESIGN BY.	DMU DRAWN BY.	GJA CHECKED BY.
JULY 2004 DATE	00062EG JOB NO.	8 / 18 SHEET/OF

411 N. WEBB ROAD
 WICHITA, KS. 67206
 316-684-9600