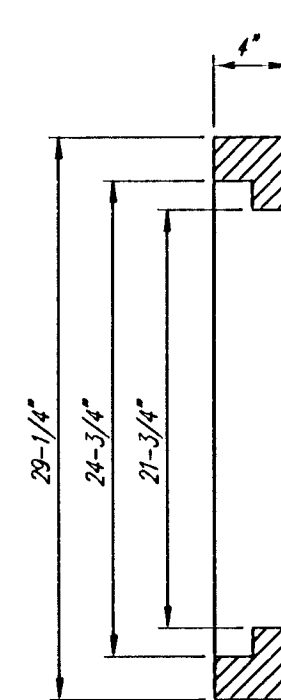
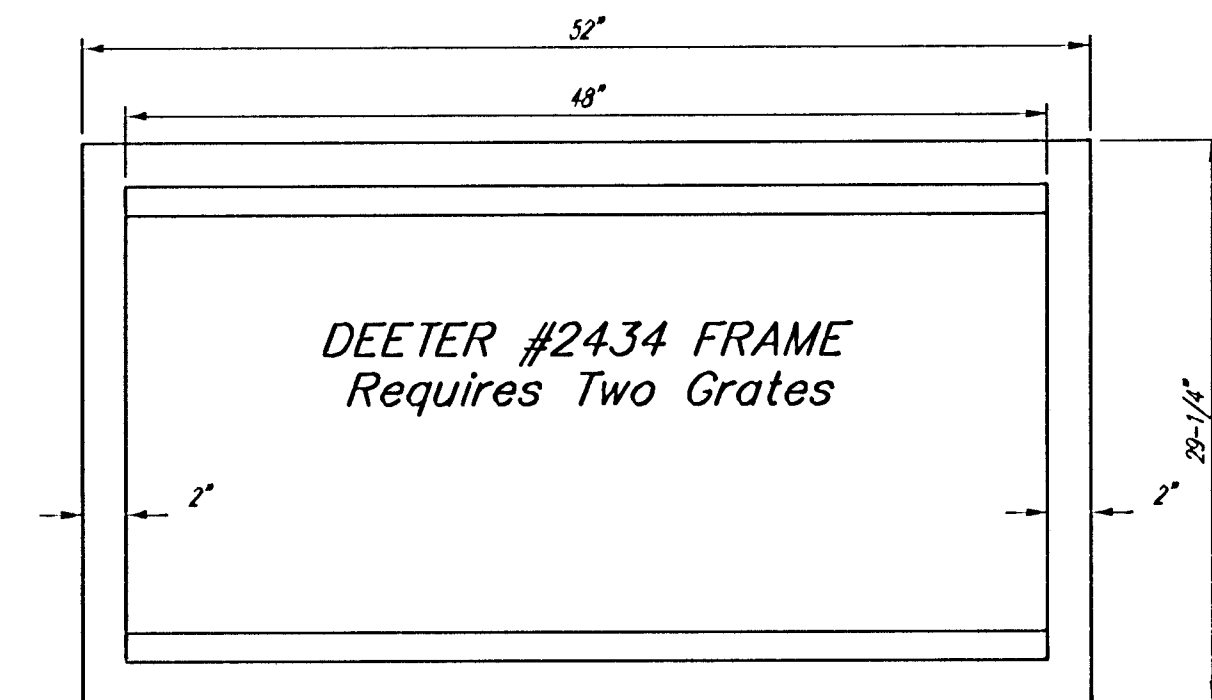


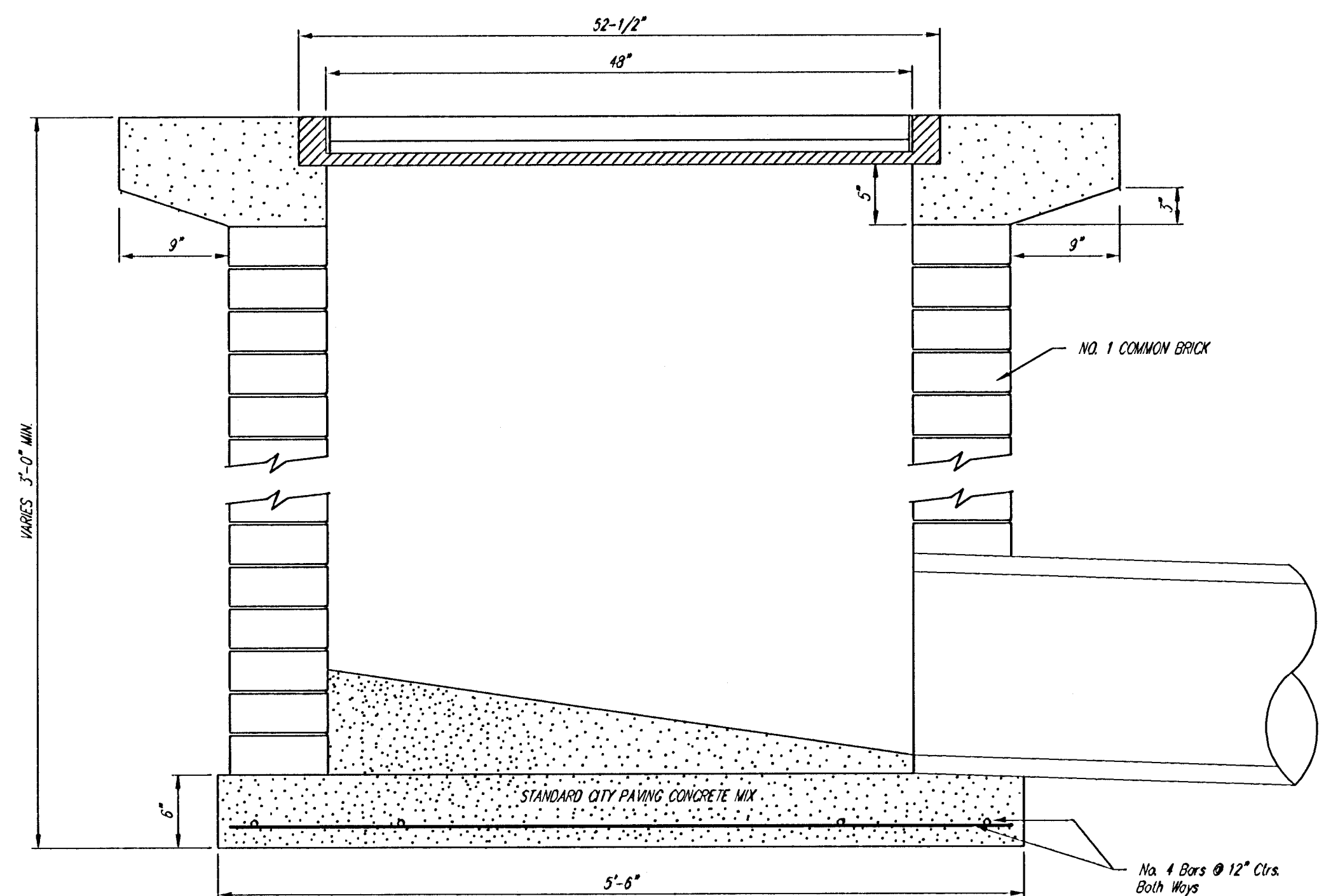
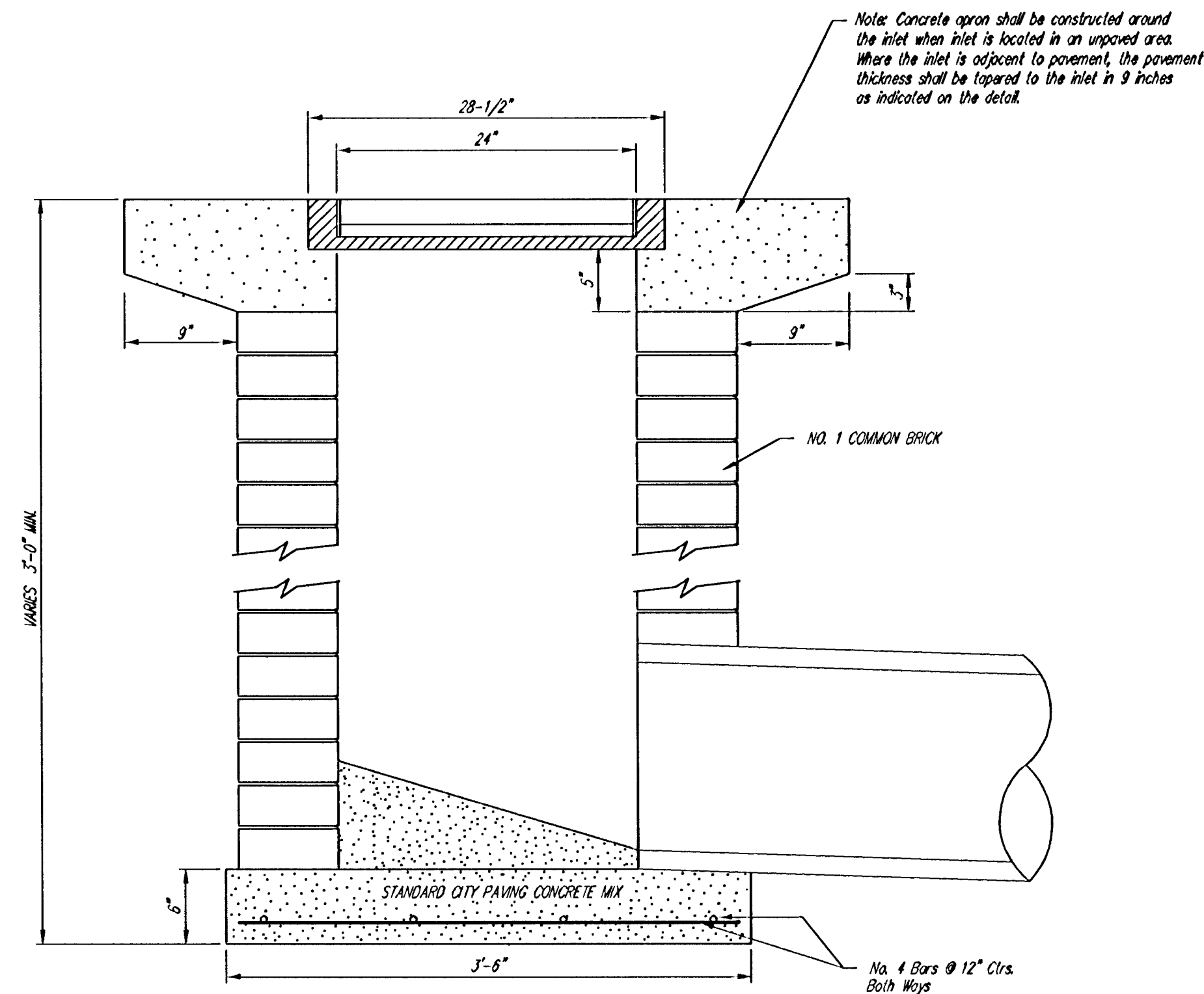
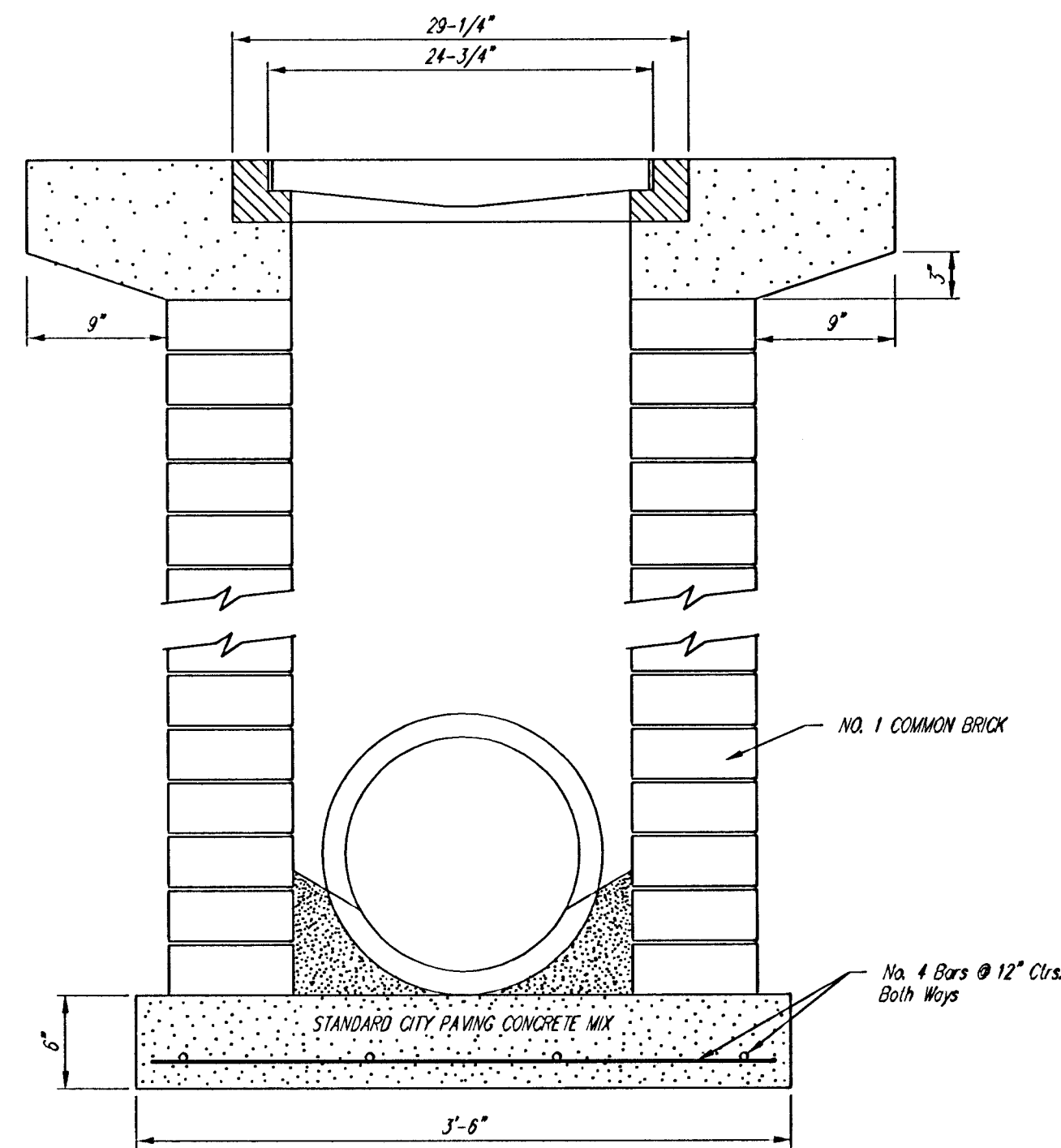
DEETER #2433 GRATE

24" x 24" Frame and Grate Detail

NOTE: Grates shall be imprinted on the top surface with "CITY OF WICHITA" using letters at least 1" in height. Other marking methods may be approved by the engineer.



Double 24" x 24" Frame Detail



	City of Wichita Standard	
	Drop Inlet Detail	
<small>Baughman Company, P.A. 315 8th St. W. 1st Fl. KS 67202 P: 316-263-3111 F: 316-263-2119 ENGINEERING SURVEYING PLANNING LANDSCAPE ARCHITECTURE</small>		
PROJECT NUMBER 472-83779	DESIGN C.O.W.	DRAWN Staff
REVISIONS	APPROVED	DATE 4/19/05
SCALE None		SHEET 20 OF 39
<small>F:\Eng_Details\Severn\DROPINT2.dwg</small>		