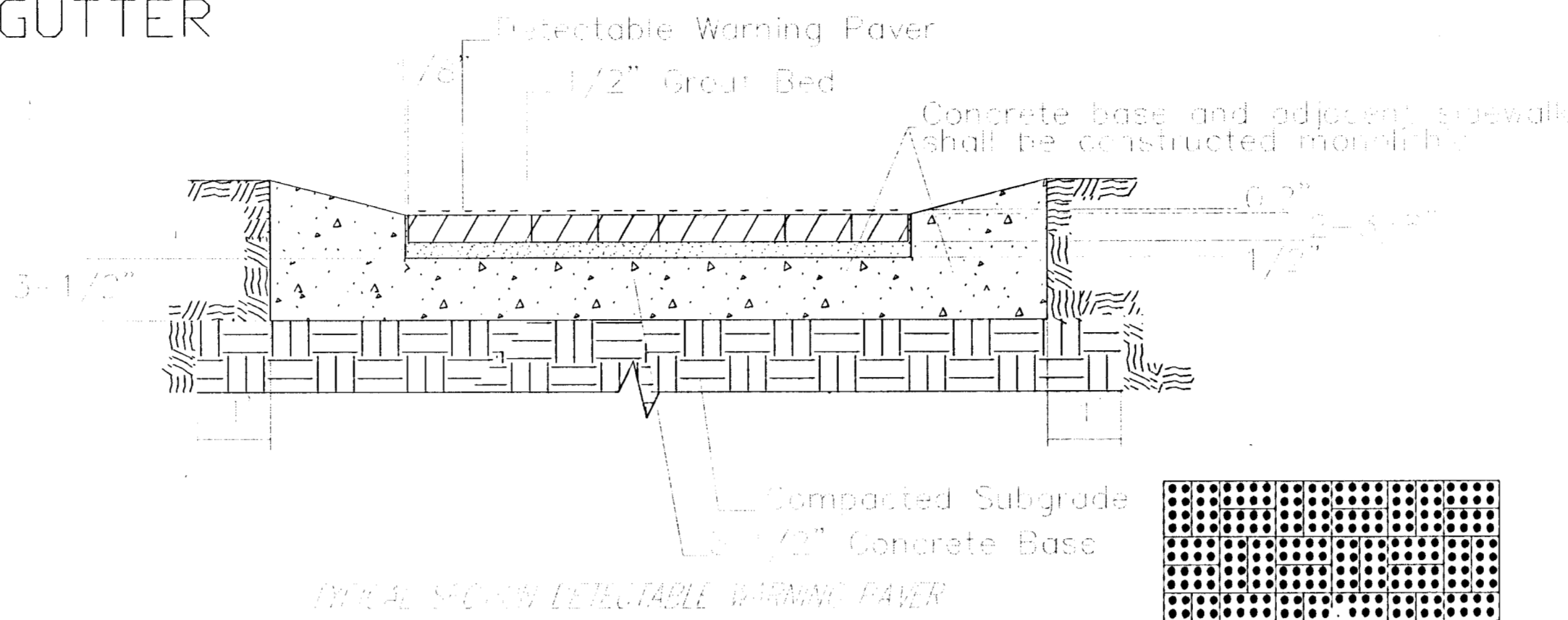
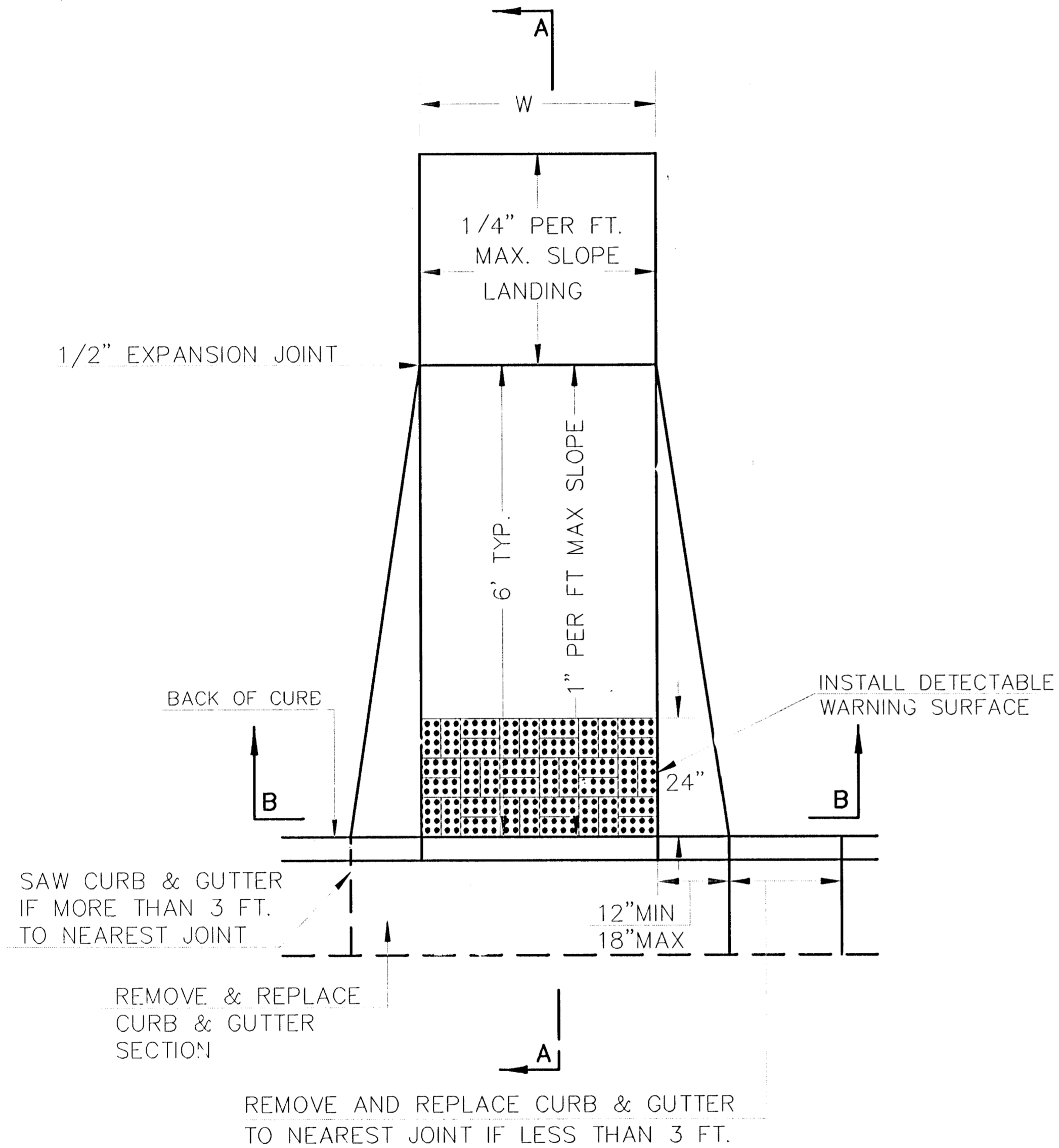


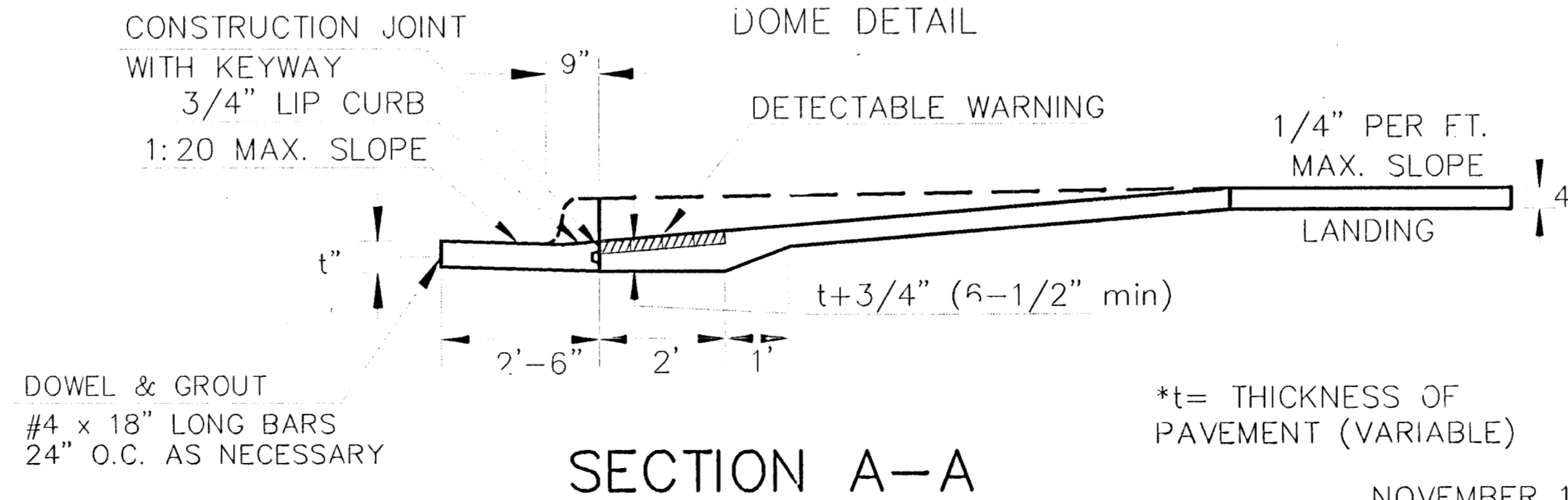
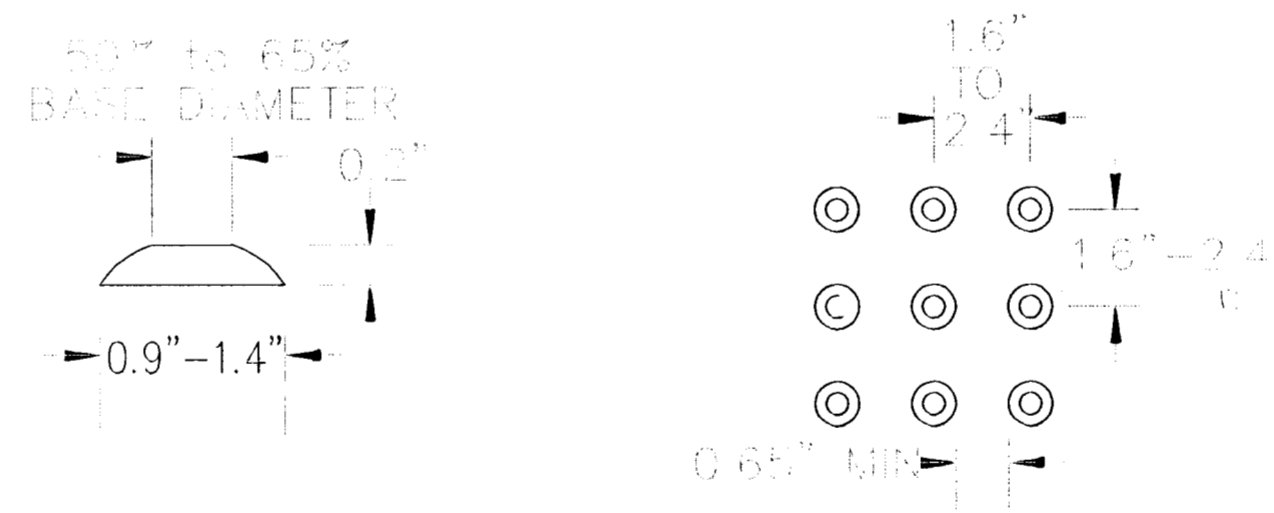
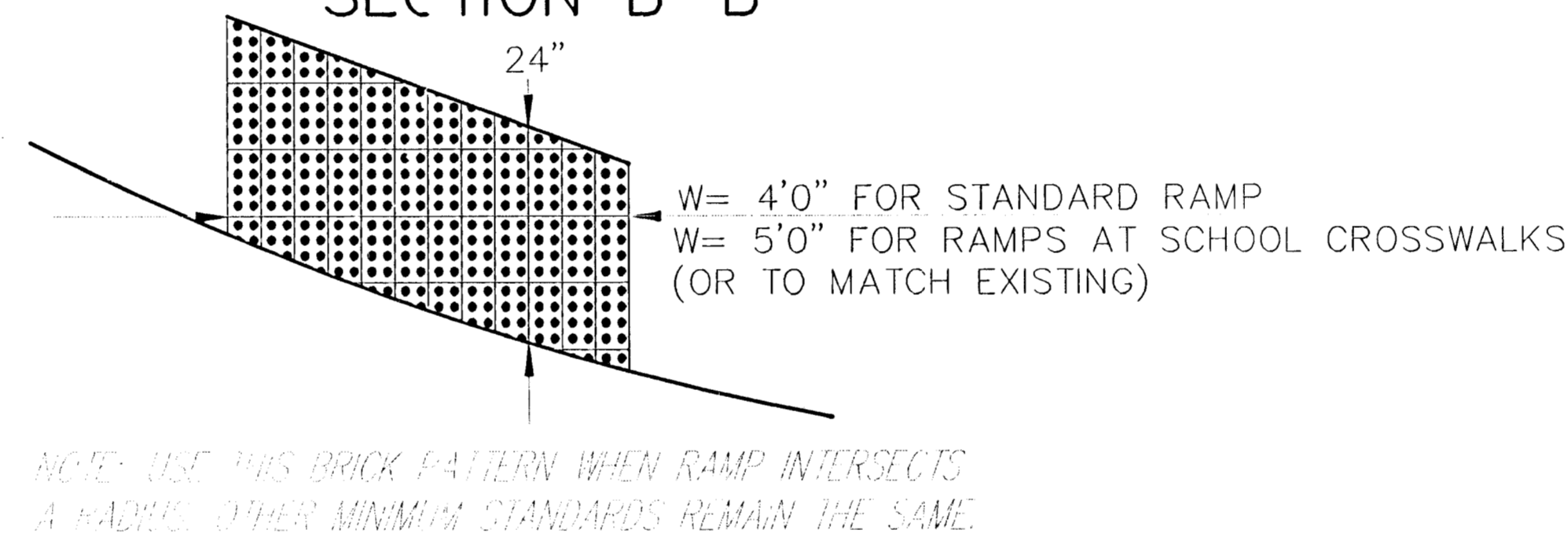
(TYPE A)
STANDARD WHEELCHAIR RAMP
WITH DETECTABLE WARNING
CONSTRUCTION DETAIL FOR STREETS
WITH COMBINED CURB & GUTTER

W= 4'0" FOR STANDARD RAMP
W= 5'0" FOR RAMPS AT SCHOOL CROSSWALKS
(OR TO MATCH EXISTING)



NOTE: PAVES TO MATCH WITH LATEST AASHTO SPECIFICATIONS. PAVEMENT DETECTABLE WARNING PAVERS (OR AN APPROVED EQUAL) SHALL BE USED IN ALL WHEELCHAIR RAMPS. THE RED PAYER SHALL BE INSTALLED USING A BASKET WEAVE PATTERN. OTHER PATTERNS MAY BE USED WITH APPROVAL OF ENGINEER. SAW CUT JOINTS ALIGN BARS IN THE DIRECTION OF PEDESTRIAN TRAVEL.

SECTION B-B



WHEELCHAIR RAMP DETAILS

HARRY STREET

CITY OF WICHITA

CFS	
Cook, Flatt & Strobel ENGINEERS, P.A.	
DESIGNED	SCALE
DATE	3/2005
QUANTITIES	SHEET 6 OF 20