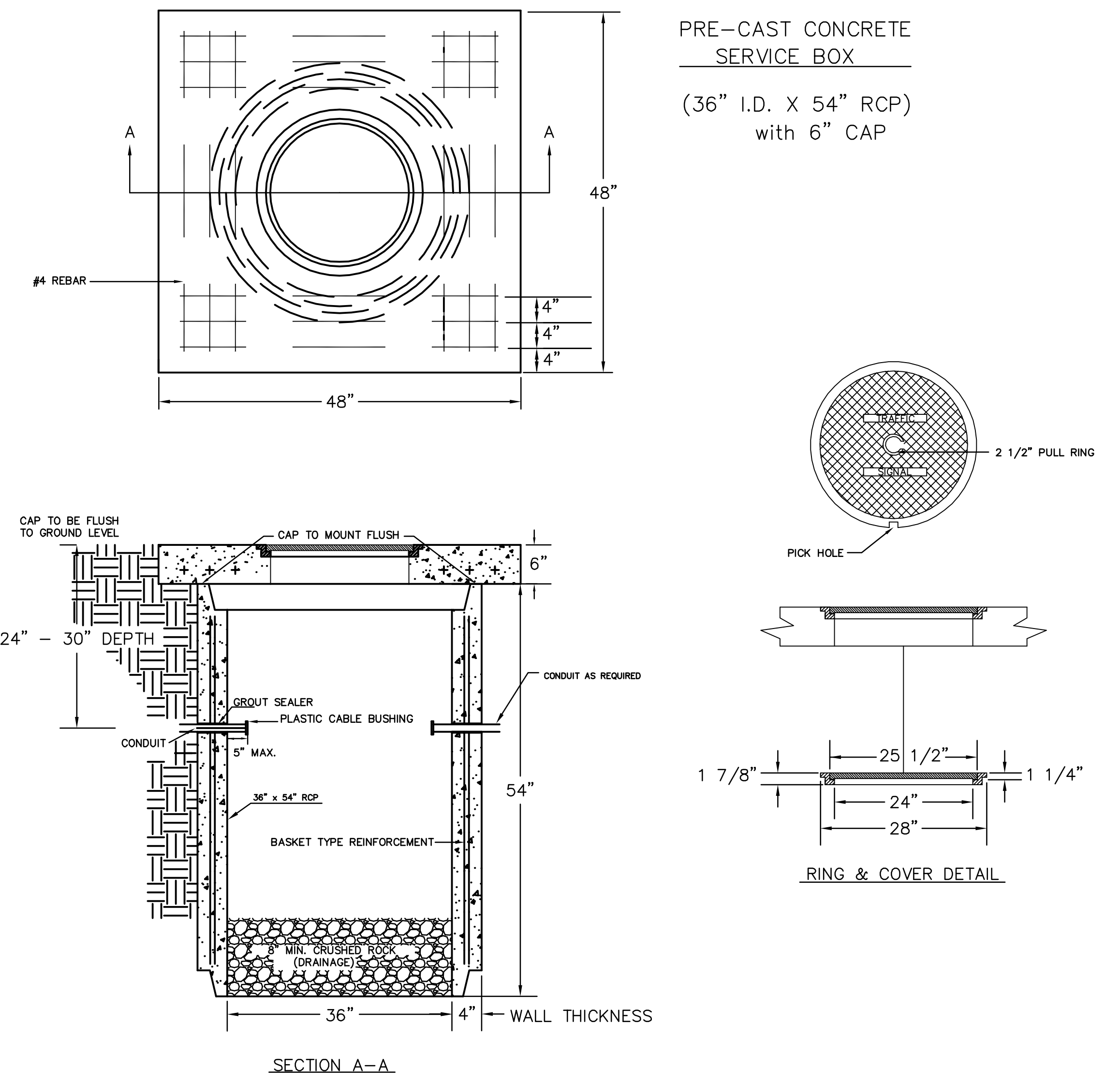
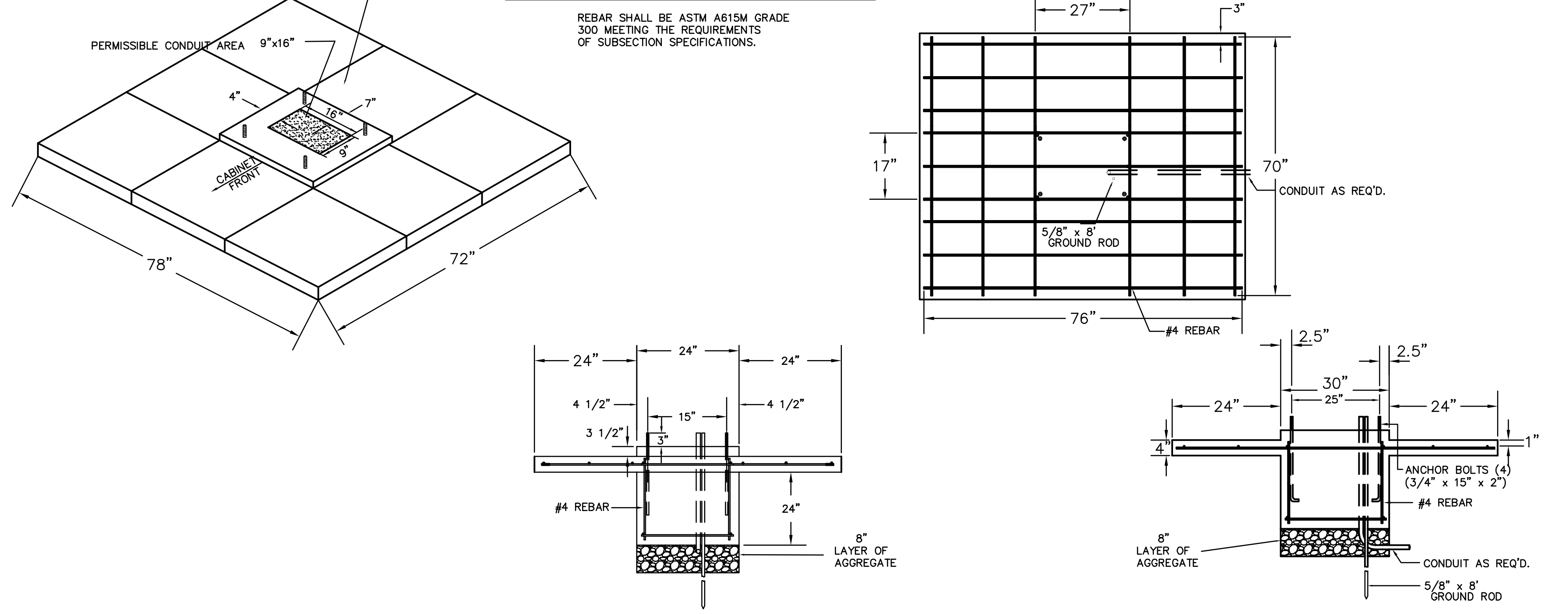


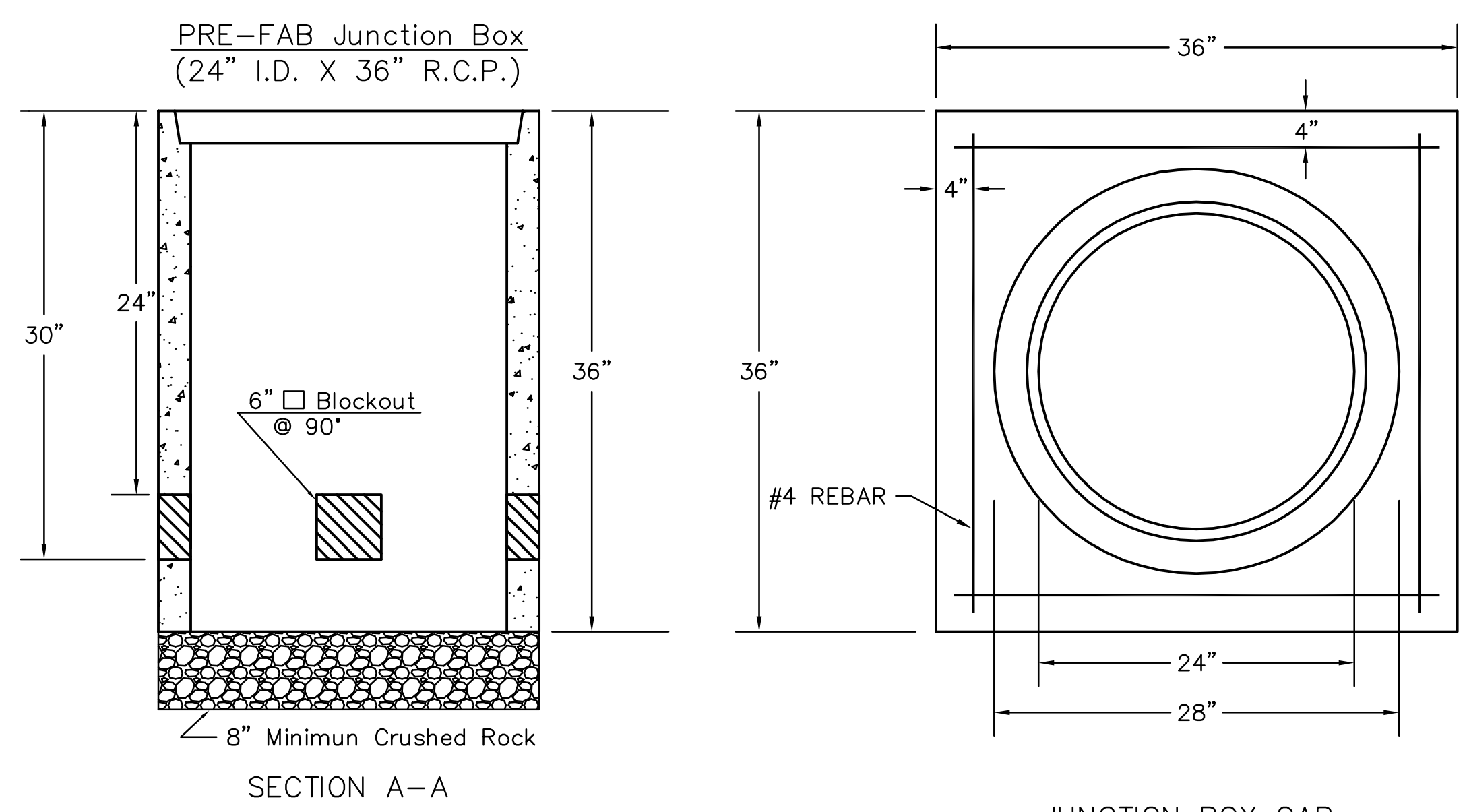
SERVICE BOX CONSTRUCTION/INSTALLATION DETAILS



170 CONTROLLER PAD DETAILS

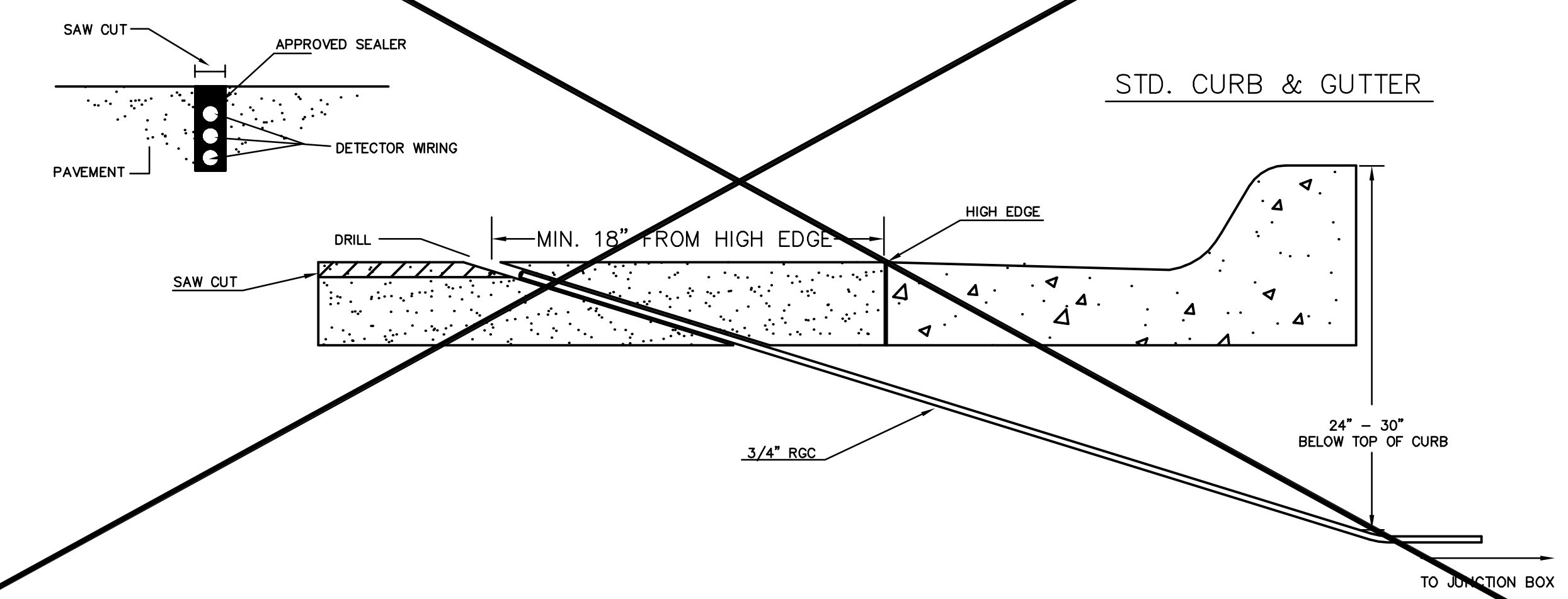


JUNCTION BOX DETAILS



- NOTES:**
- SERVICE & JUNCTION BOX:**
- CONDUIT CONNECTION TO BE FLUSH TO WITHIN 5" OF INSIDE FACE OF SIDE WALL, CONDUIT TO DRAIN INTO SERVICE BOX.
 - CONDUIT CONNECTIONS TO SERVICE BOX SHALL BE TERMINATED WITH PLASTIC CABLE BUSHING.
 - CONDUIT SHALL BE SEALED WITH APPROVED SEALER AT INSIDE WALL FACE.
 - ALL SERVICE & JUNCTION BOXES TO HAVE 8" OF CRUSHED ROCK.
- TRENCHING:**
- DEPTH TO BE 30" MINIMUM WITH ROCK & STUBBLE FREE BACKFILL TO SERVE AS BEDDING MATERIAL. MAINTAIN MINIMUM CONDUIT DEPTH IN TRENCH.
 - BACKFILL TO BE COMPACTED IN 6" LOOSE LIFTS BY HAND OR MECHANICAL TAMPING TO A 95% STANDARD DENSITY.
- CONDUIT:**
- SLOPE CONDUIT TO DRAIN AS DIRECTED BY THE ENGINEER.
 - 3" RIGID STEEL CONDUIT BTWN. SERVICE BOXES.
2" " " " " BTWN. SERVICE BOX AND POLE.
1 1/4" " " " " BTWN. SERVICE & JUNCTION BOXES.
3/4" " " " " BTWN. JUNCTION BOXES.
3/4" " " " " BTWN. JUNCTION BOX & DETECTOR LOOP SAW CUT

CONDUIT/DETECTOR WIRE INSTALLATION DETAILS



Sowed: 06-01-2007 11:12:46 AM by AKL
Plot Scale: 1:1 06-05-2007 1:39:05 PM by AKL
J:\SERV\001\2006\06471\2007-6-4 Final Plans to COM\DWG\70-06471-Controller Pad Detail 2006

	GREENWICH ROAD		
	SERVICE/JUNCTION BOX, CONTROLLER PAD CONSTRUCTION/INSTALLATION DETAILS		
	PROJECT NUMBER 472-84435		
	DRAWN BY: T.M.	APPROVED BY:	REVISED: A.S.
DATE: Apr. 96		DATE: Jan. 2006	
CITY OF WICHITA			
DEPARTMENT OF PUBLIC WORKS			
TRAFFIC ENGINEERING DIVISION	SCALE		
PAUL D. GUNZELMAN P.E.	TRAFFIC ENGINEER	NO SCALE	