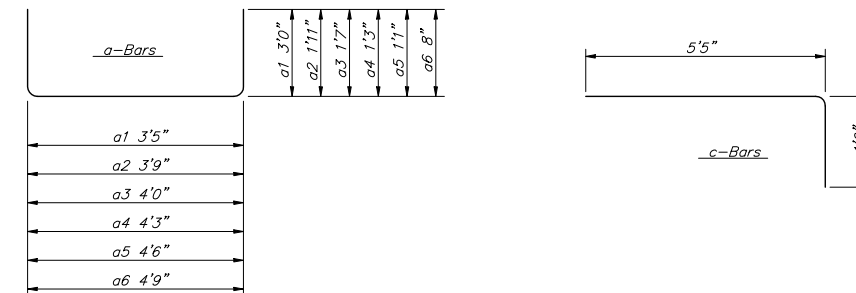
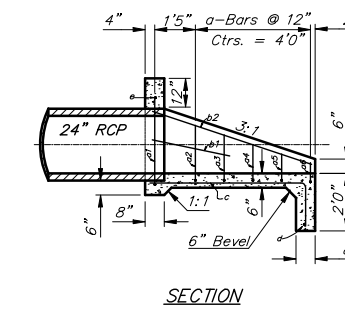
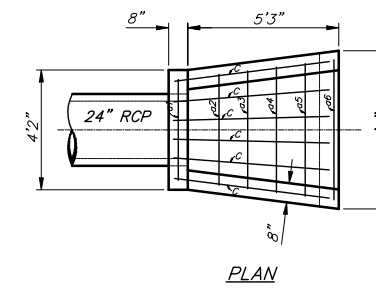


REBAR SCHEDULE

Bar	Shape	No.	Length	Weight
a1	U	1	12'1"	8.07
a2	U	1	9'5"	6.29
a3	U	1	9'0"	6.01
a4	U	1	8'6"	5.68
a5	U	1	8'2"	5.46
a6	U	1	7'9"	5.18
a7	U	1	7'4"	4.90
a8	U	1	7'0"	4.68
b	U	7	8'6"	35.07
c	U	1	6'0"	4.01
d	U	2	7'6"	10.02
e	U	1	4'5"	2.95
f	U	2	4'3"	5.68
Total Rebar			104.00 Lbs.	
Concrete			2.19 C.Y.	

A Deduction in Concrete Quantities Has Been Made for Pipe Openings Through the Headwall
 * Field Bend or Cut Reinforcing as Required for Clearance.
 All Concrete Reinforcement to be #4 Rebar
 All Rebar to Have Min. of 1 1/2" Conc. Cover

HEADWALL FOR 30" RCP



REBAR SCHEDULE

Bar	Shape	No.	Length	Weight
a1	U	1	9'5"	6.29
a2	U	1	7'7"	5.07
a3	U	1	7'2"	4.79
a4	U	1	6'9"	4.51
a5	U	1	6'4"	4.23
a6	U	1	6'1"	4.06
b1	U	2	2'9"	3.67
b2	U	2	5'10"	7.79
c	U	6	6'11"	27.72
d	U	1	5'0"	3.37
e	U	1	3'10"	2.56
Total Rebar			74.03 Lbs.	
Concrete			1.40 C.Y.	

A Deduction in Concrete Quantities Has Been Made for Pipe Openings Through the Headwall
 * Field Bend or Cut Reinforcing as Required for Clearance.
 All Concrete Reinforcement to be #4 Rebar
 All Rebar to Have Min. of 1 1/2" Conc. Cover

HEADWALL FOR 24" RCP

		HEADWALL DETAIL		
				<small>Baughman Company, P.A. 315 Ellis St. Waltham, MA 02154 P 316-262-7271 F 316-262-0149 ENGINEERING SURVEYING PLANNING LANDSCAPE ARCHITECTURE</small>
PROJECT NUMBER 468-6409	DESIGN BLP/DMV	DRAWN JAK		
REVISIONS	APPROVED	DATE 7-26-06		
		SCALE Noted		
		SHEET 10 OF 17		
Hdwldet1		06-04-E534		