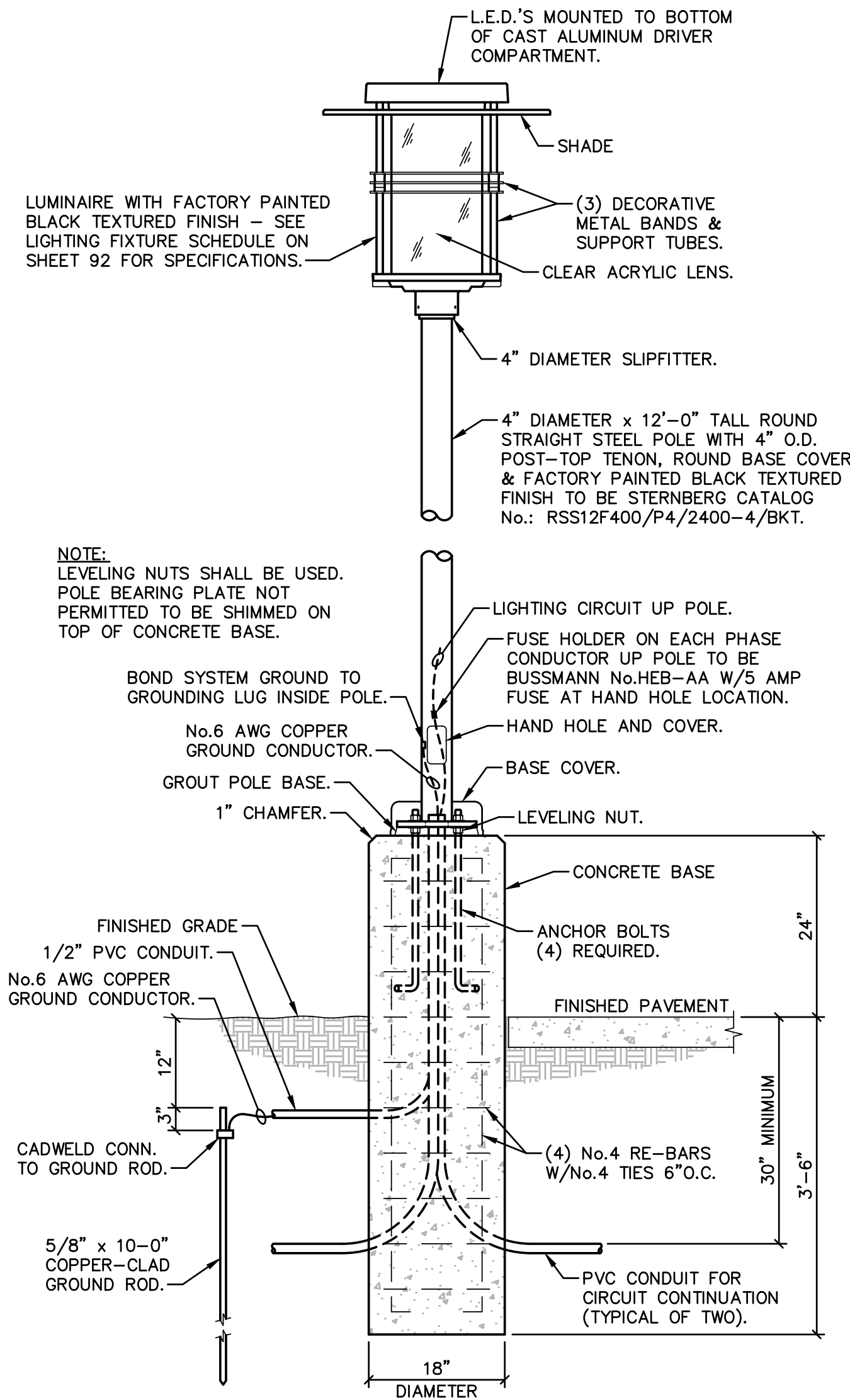
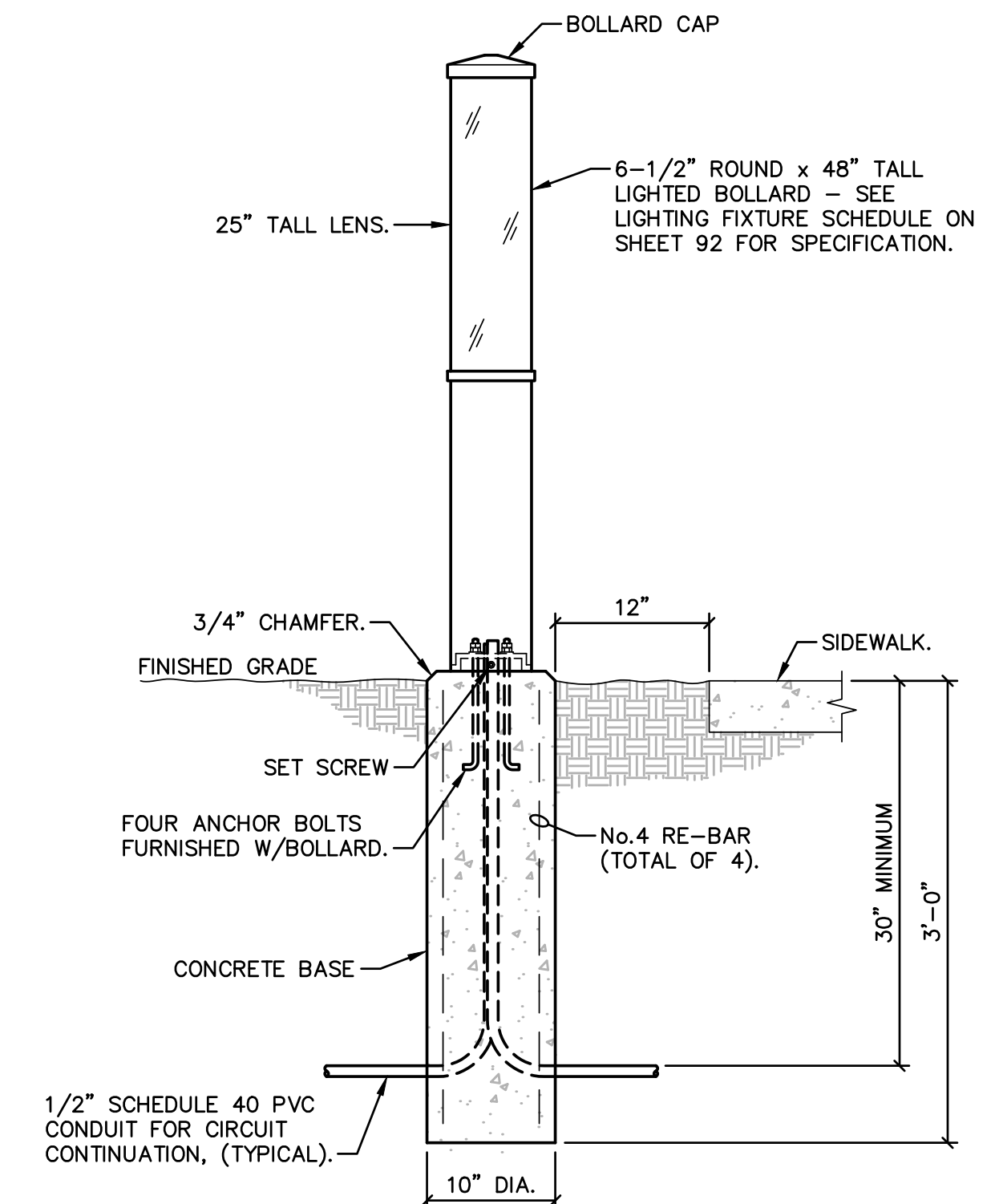


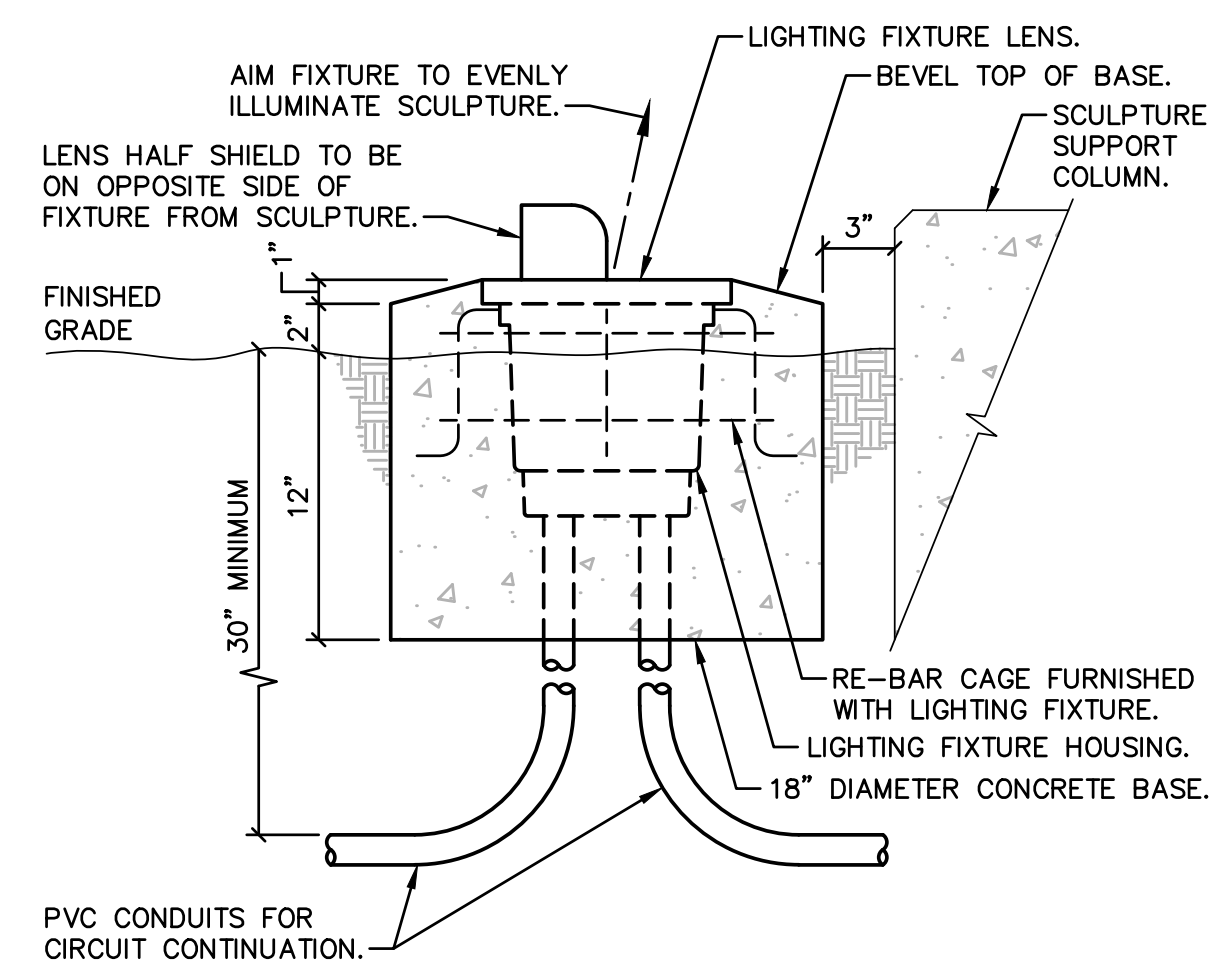
A LIGHT POLES TYPE "A", "B" & "C"
N.T.S.



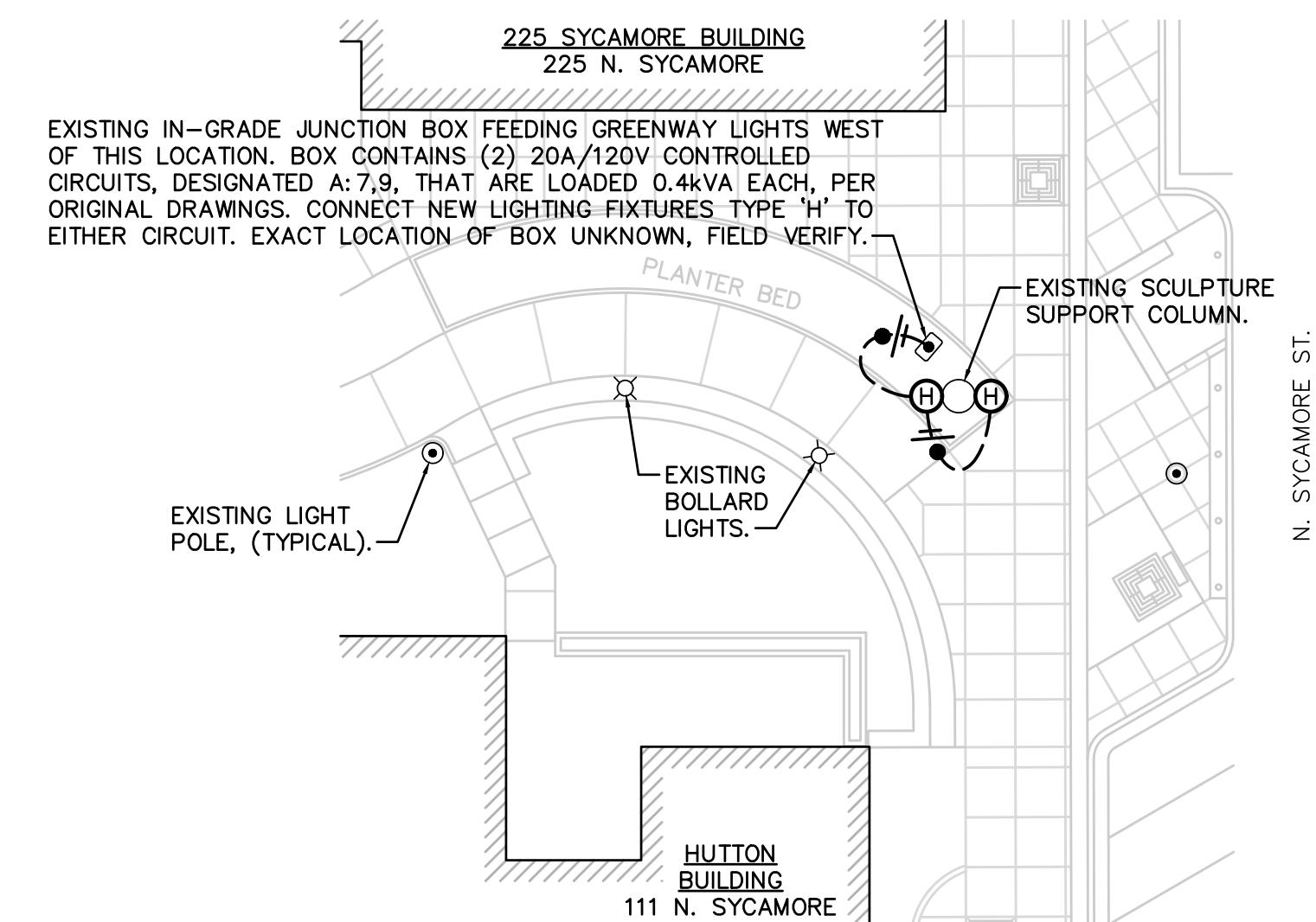
B LIGHT POLES TYPE "D" & "F"
N.T.S.



C LIGHTING BOLLARD TYPE "G"
N.T.S.



D BASE DETAIL - LIGHTING FIXTURE TYPE "H"
N.T.S.



E SYCAMORE ST. SCULPTURE LIGHTING PLAN
1" = 20'-0"
N.T.S.

REVISIONS:	MARK	DATE	DESCRIPTION