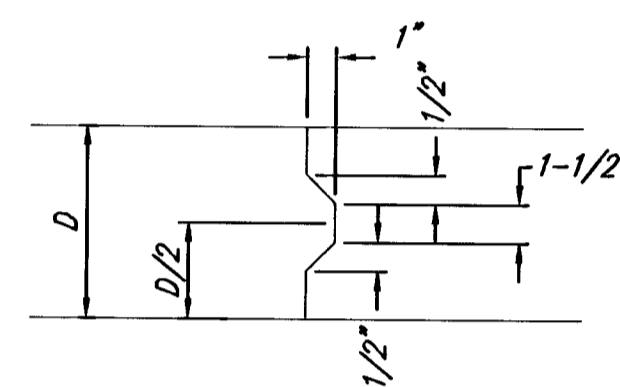
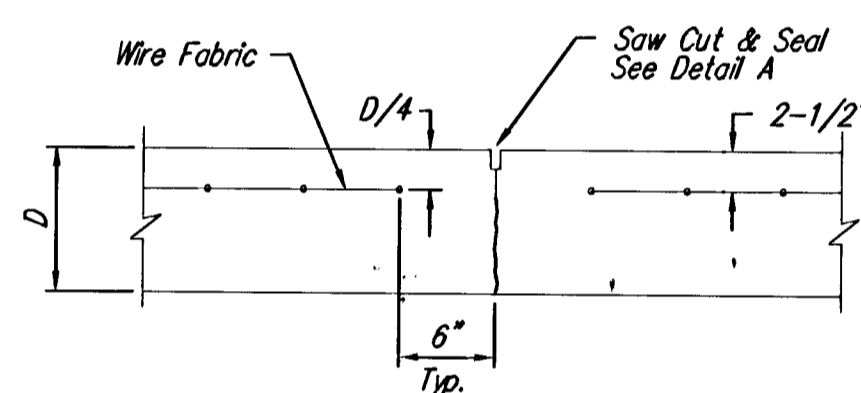


EXPANSION JOINT

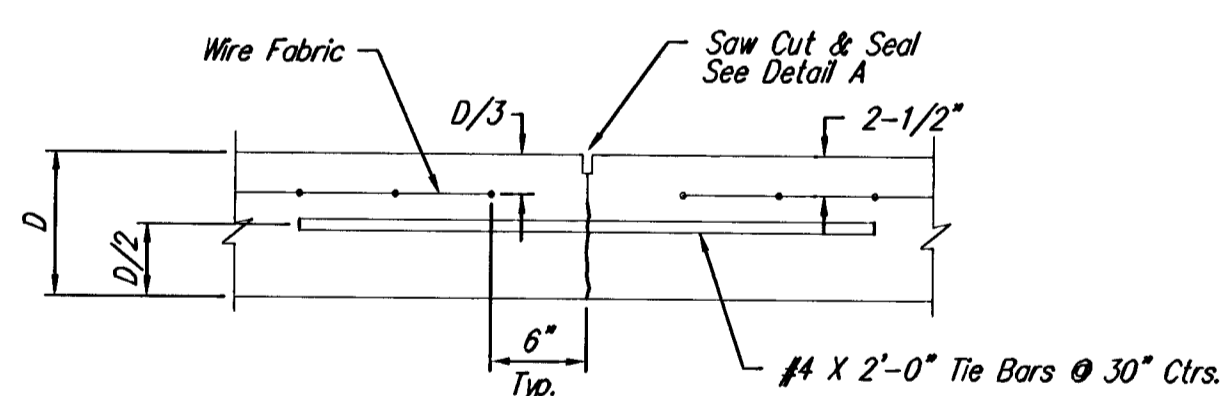
NOTE: Extra Thickness to be Subsidiary to Price of Square Yards Pavement



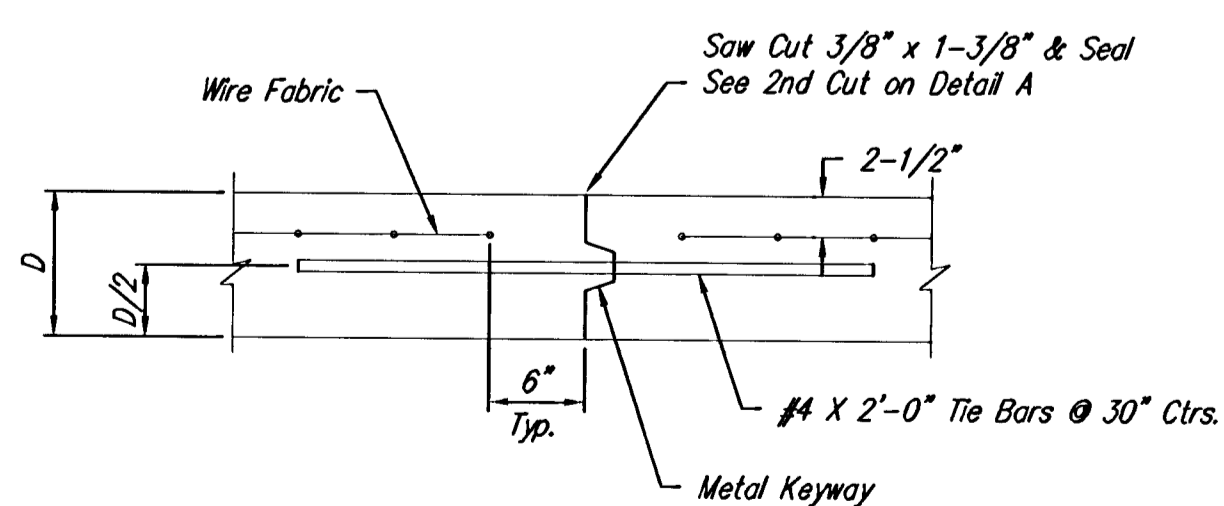
KEYWAY DETAIL



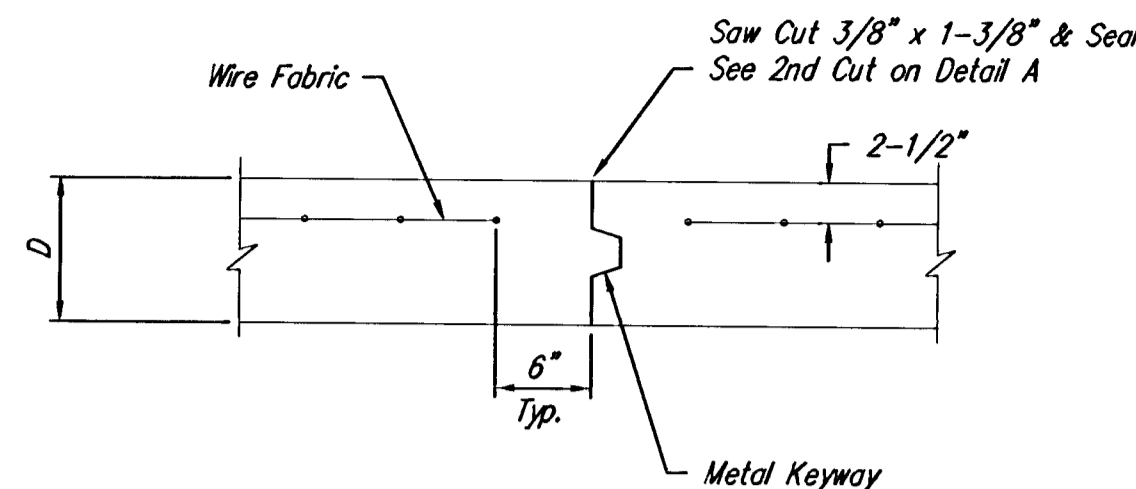
CONTRACTION JOINT DETAIL (C.J.)



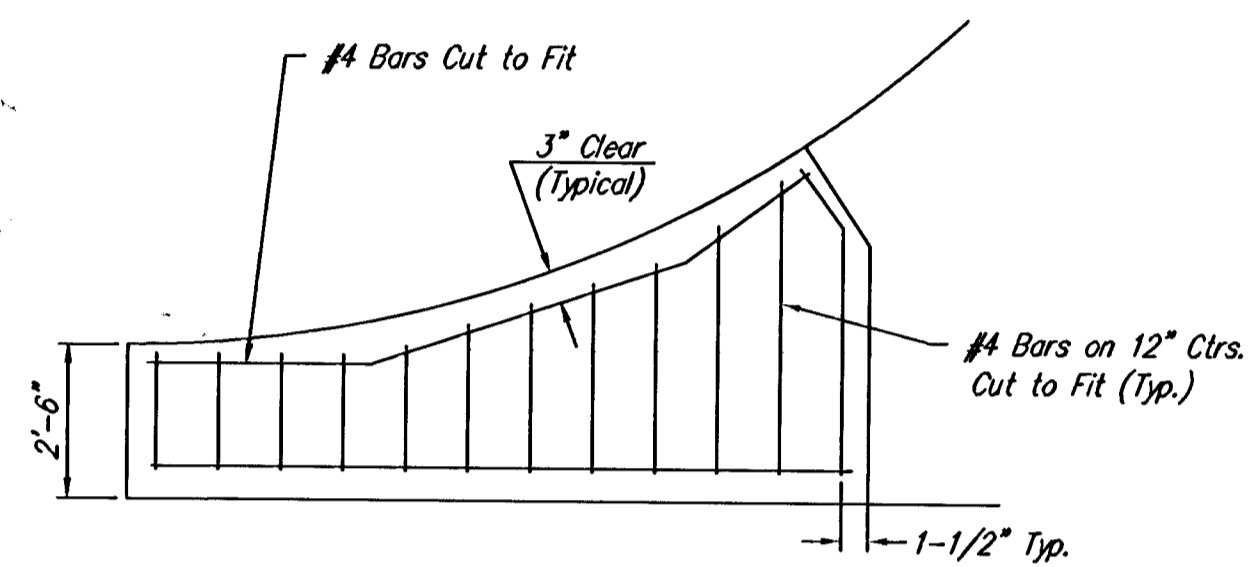
LONGITUDINAL JOINT DETAIL (L.J.)



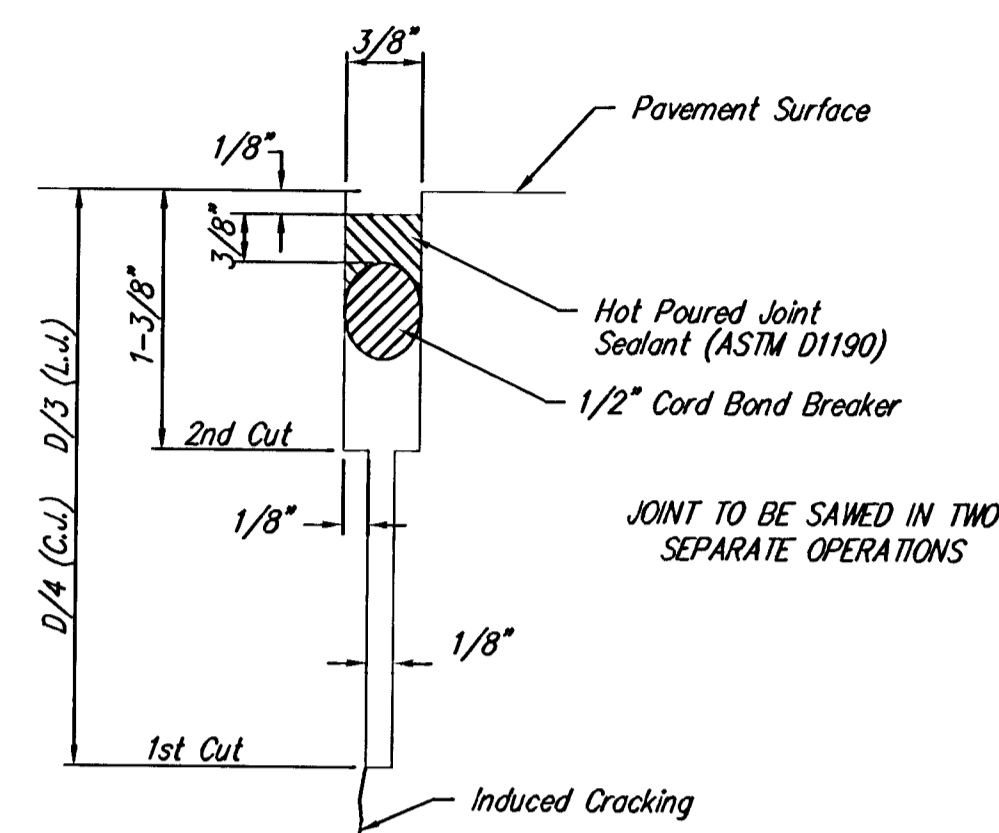
OPTIONAL LONGITUDINAL JOINT DETAIL (L.J.)



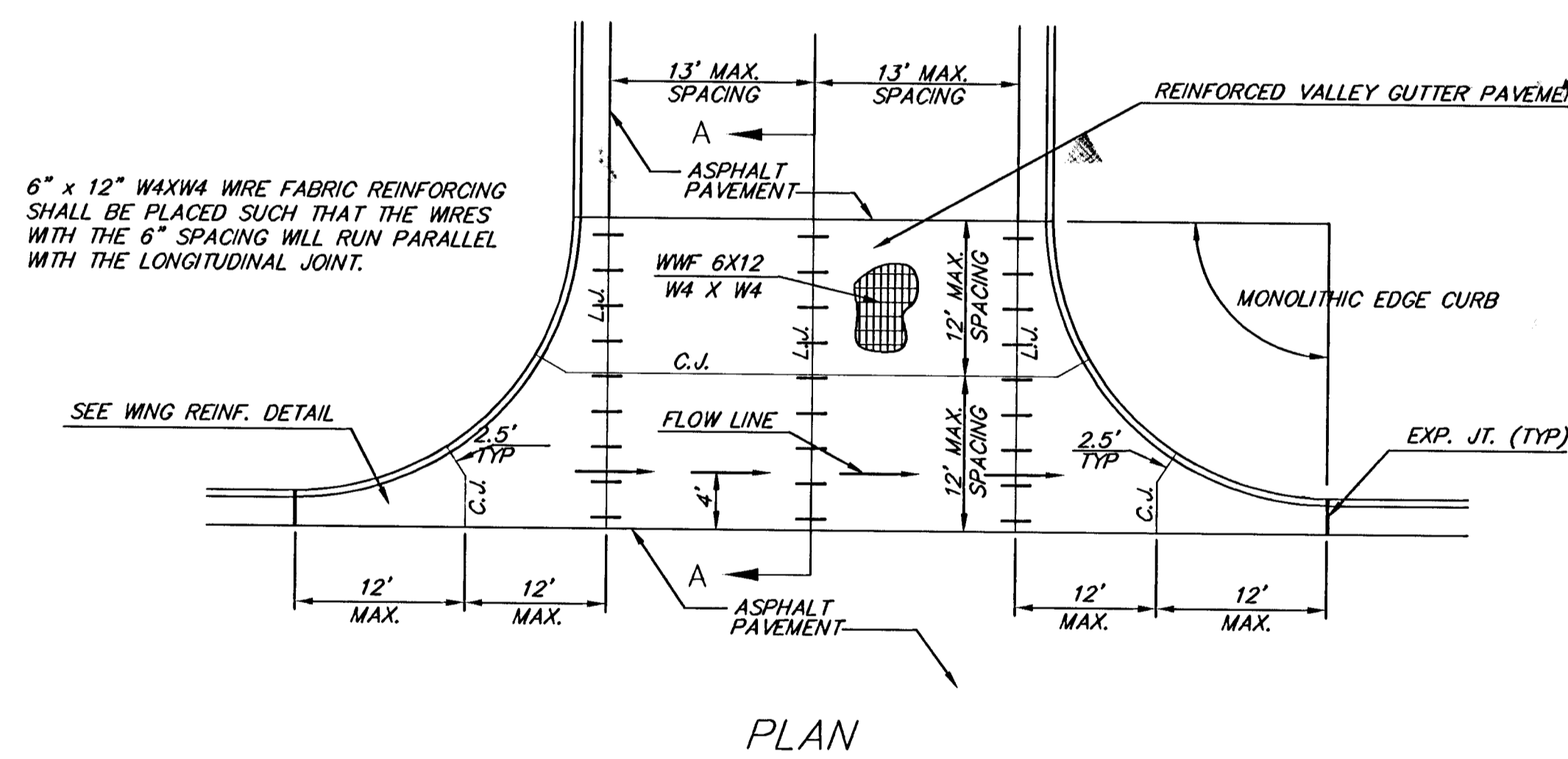
OPTIONAL CONTRACTION JOINT



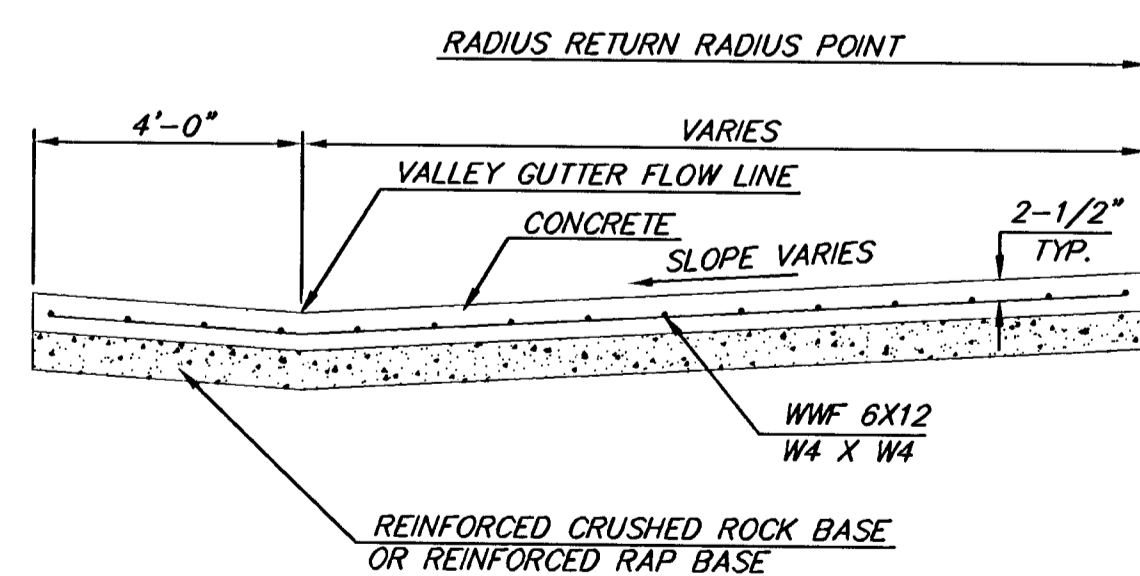
WING REINFORCING DETAIL



SAW JOINT DETAIL

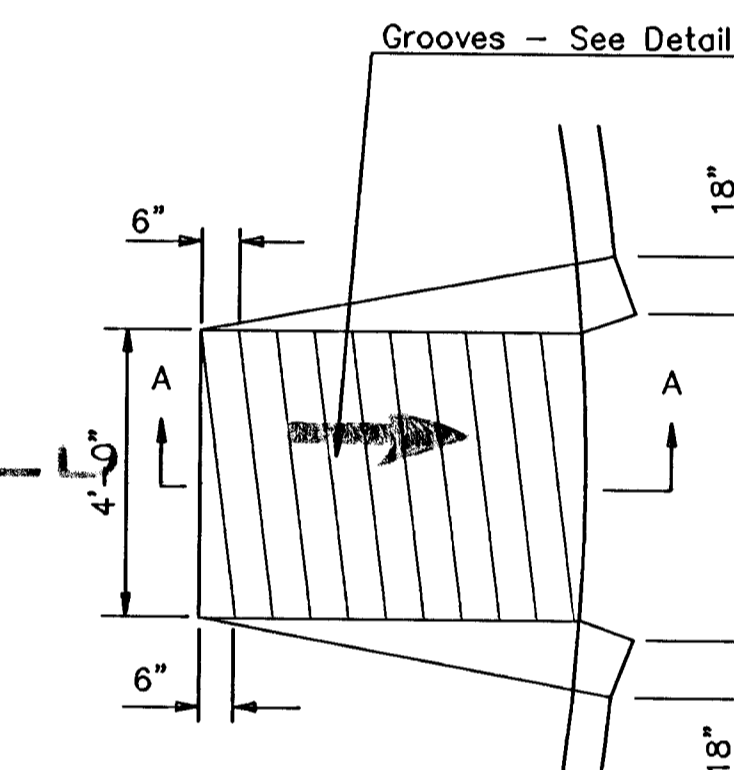


PLAN

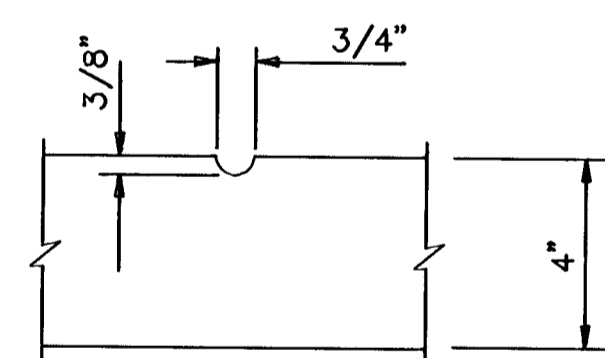


SECTION A-A

REINFORCED VALLEY GUTTER DETAIL

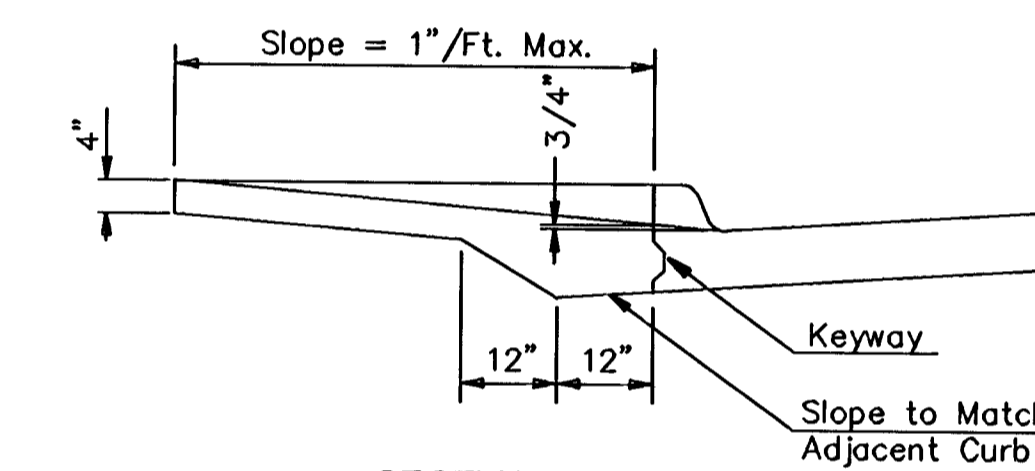


WHEELCHAIR RAMP PLAN VIEW

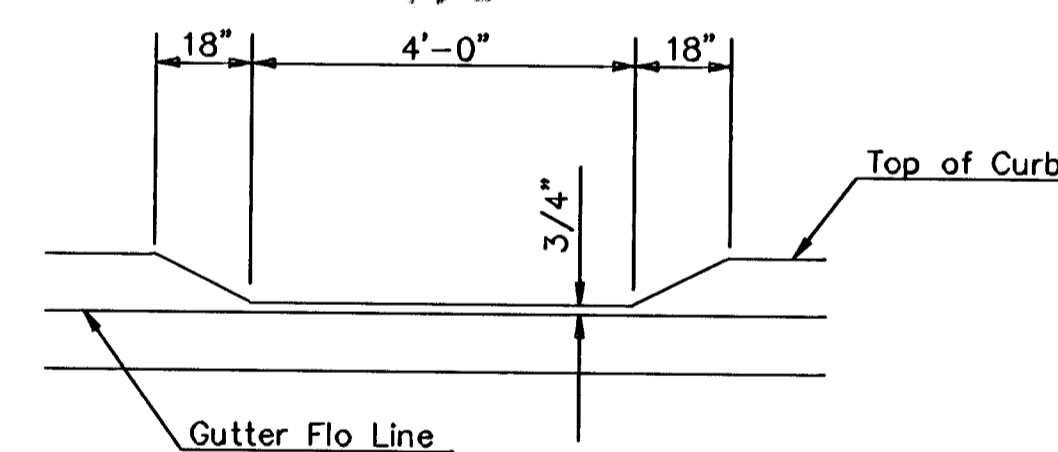


GROOVE DETAIL

WHEELCHAIR RAMP DETAIL



SECTION A-A



DEPRESSED CURB DETAIL

<p>THE CITY OF WICHITA</p> <p>CITY ENGINEER'S OFFICE CITY HALL - SEVENTH FLOOR 455 NORTH MAIN STREET WICHITA, KANSAS 67202 (316) 268-4501 (316) 268-4114 FAX</p>	VALLEY GUTTER DETAILS WHEELCHAIR RAMP DETAILS	
	M. E. LINDEBAK P.E. - CITY ENGINEER	
	PROJECT NUMBER XXX-XXXXX	INDEX CODE XXXXXX
	DATE MAR 96	SHEET OF

	PROJECT NUMBER 472-84027	AM NO. 02153-05	SAND PLUM ADDITION VALLEY GUTTER DETAILS WICHITA, KANSAS	SHEET 14 OF 35
DESIGN c.o.w.	DRAWN c.o.w.	FILE valgut	DATE 12/23/04	SCALE n.t.s.

121102153.02153-05-14_valgut.dwg Wed Jan 05 08:14:21 2005 Steve Schmidt-Poe & Associates of Kansas, Inc.