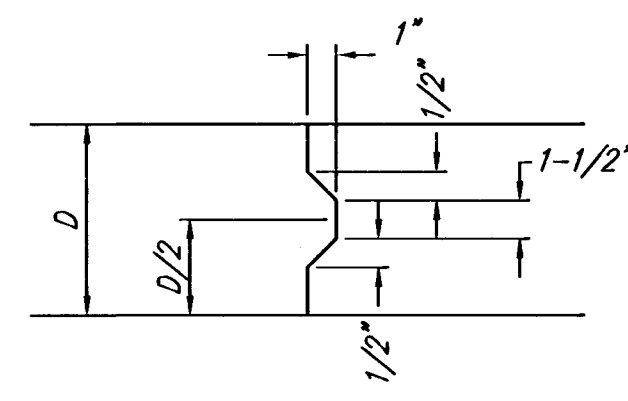
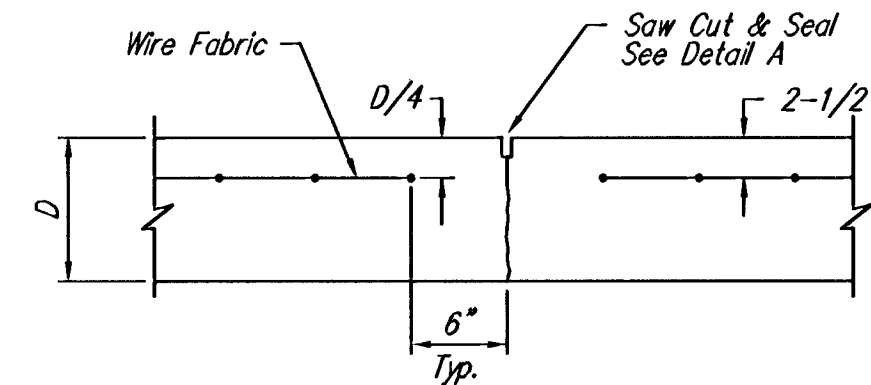


EXPANSION JOINT

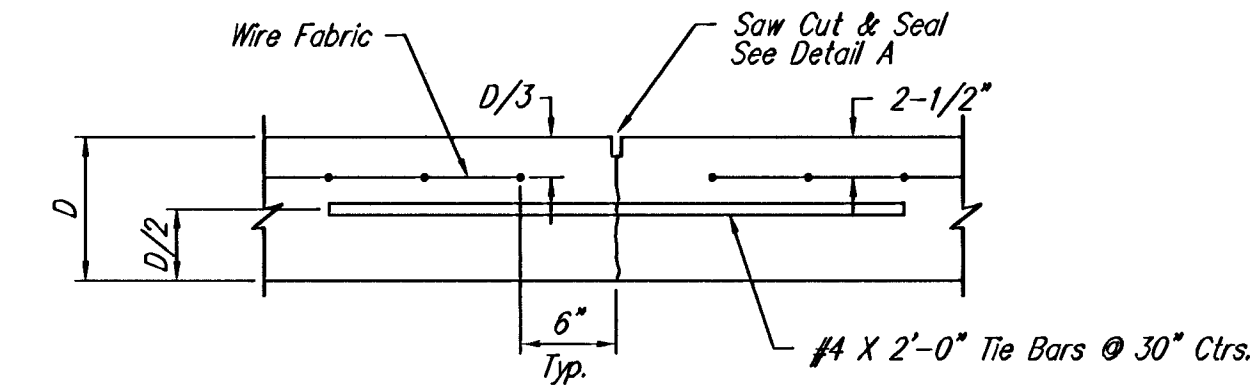
NOTE: Extra Thickness to be Subsidiary to Price of Square Yards Pavement



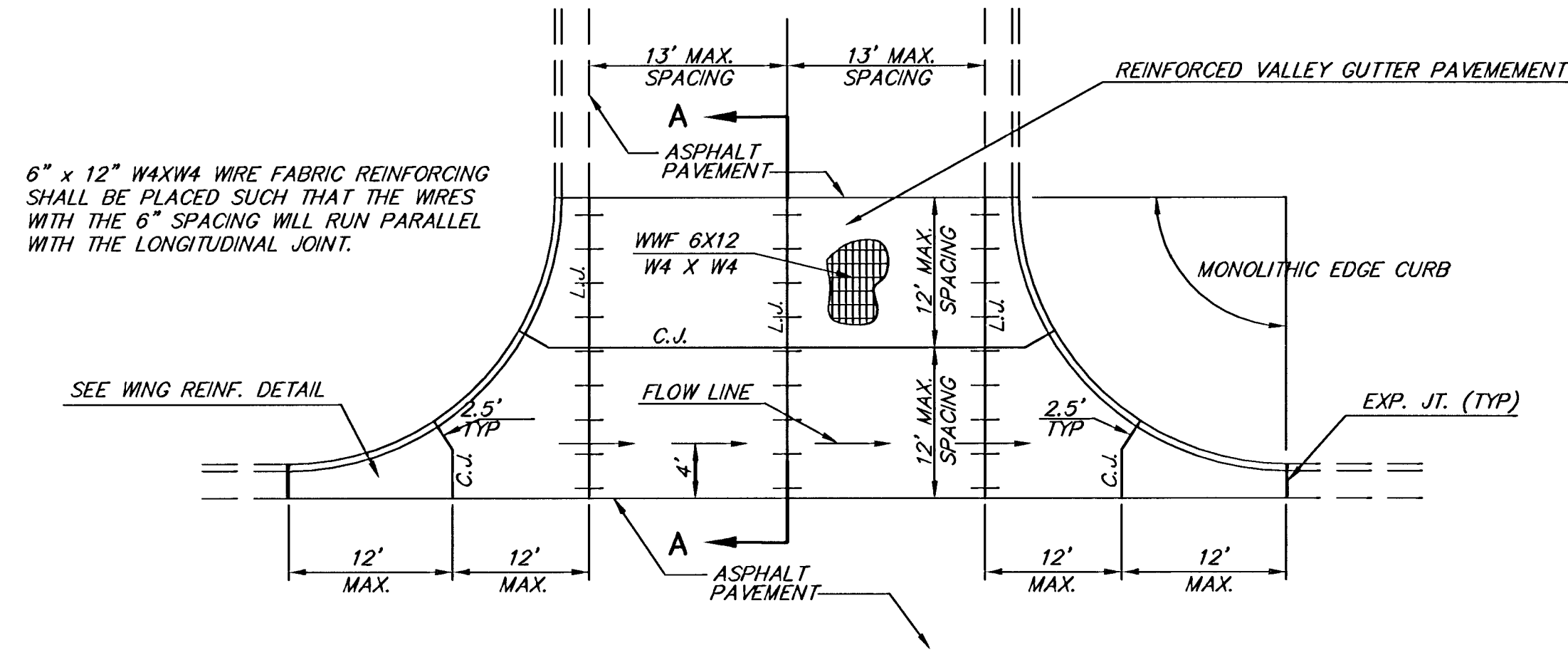
KEYWAY DETAIL



CONTRACTION JOINT DETAIL (C.J.)

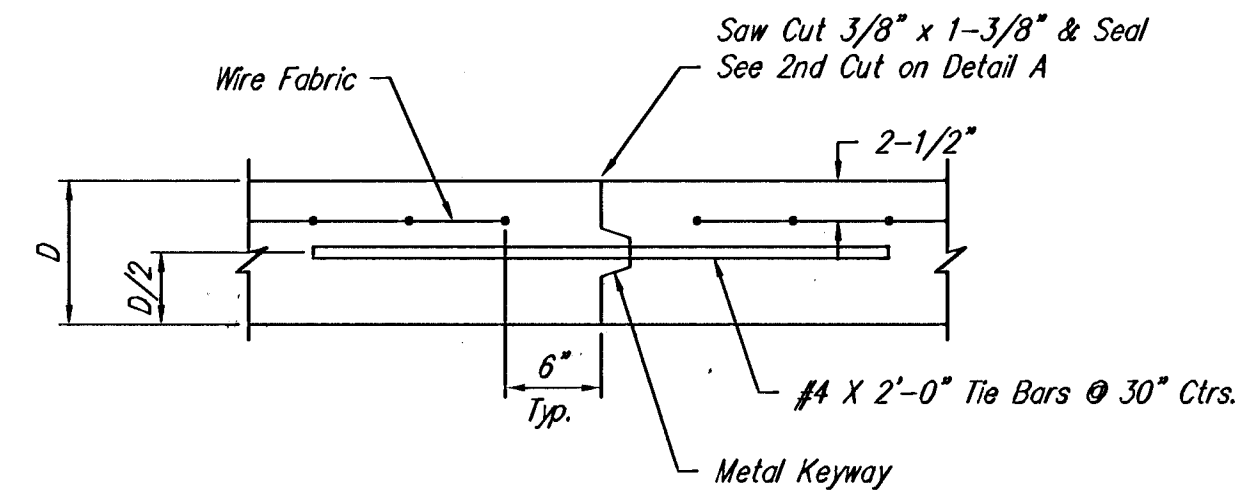


LONGITUDINAL JOINT DETAIL (L.J.)

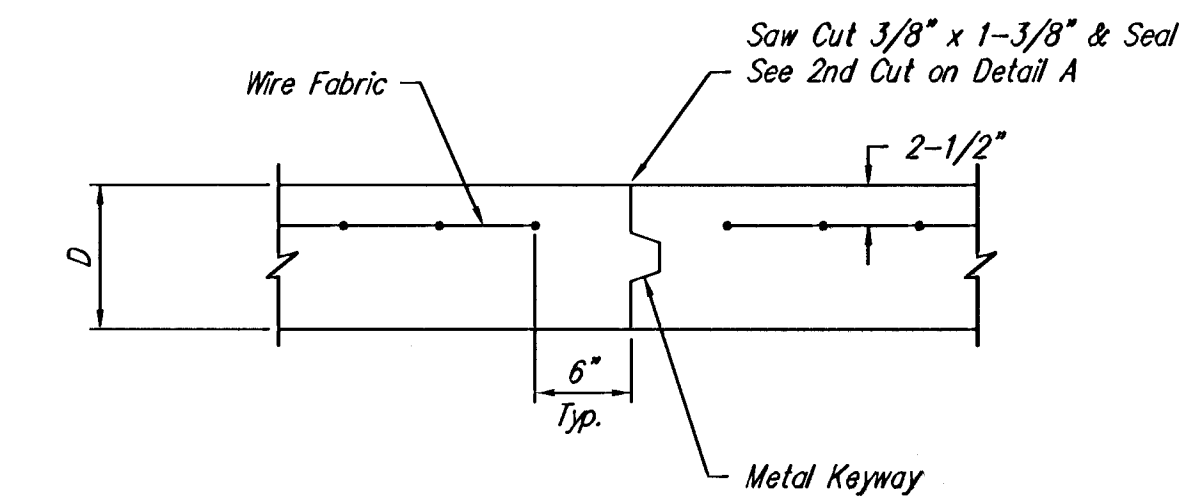


PLAN

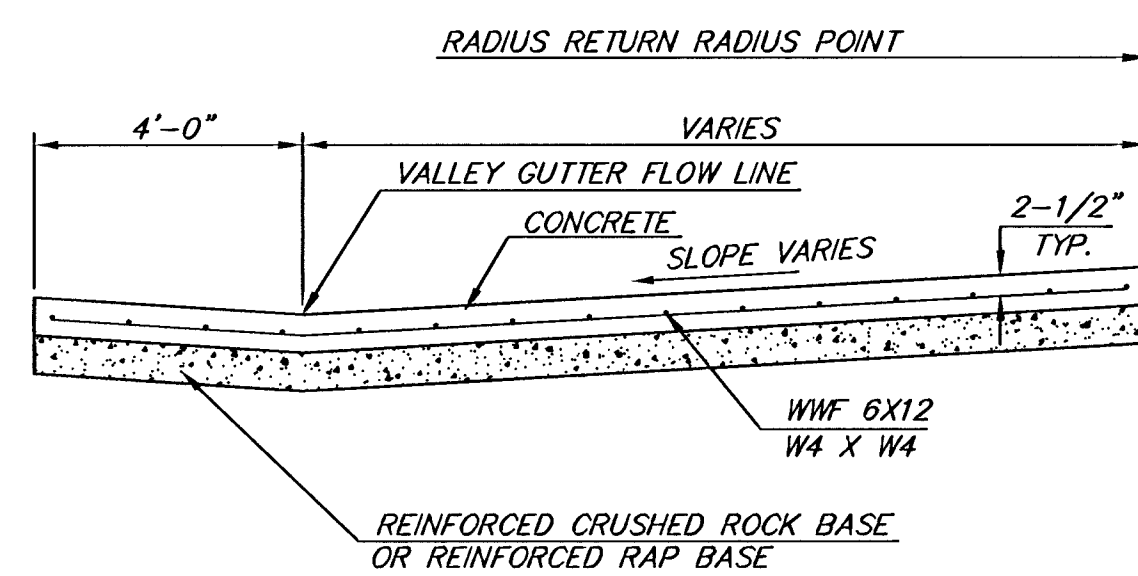
6" x 12" WAXW4 WIRE FABRIC REINFORCING SHALL BE PLACED SUCH THAT THE WIRES WITH THE 6" SPACING WILL RUN PARALLEL WITH THE LONGITUDINAL JOINT.



OPTIONAL LONGITUDINAL JOINT DETAIL (L.J.)

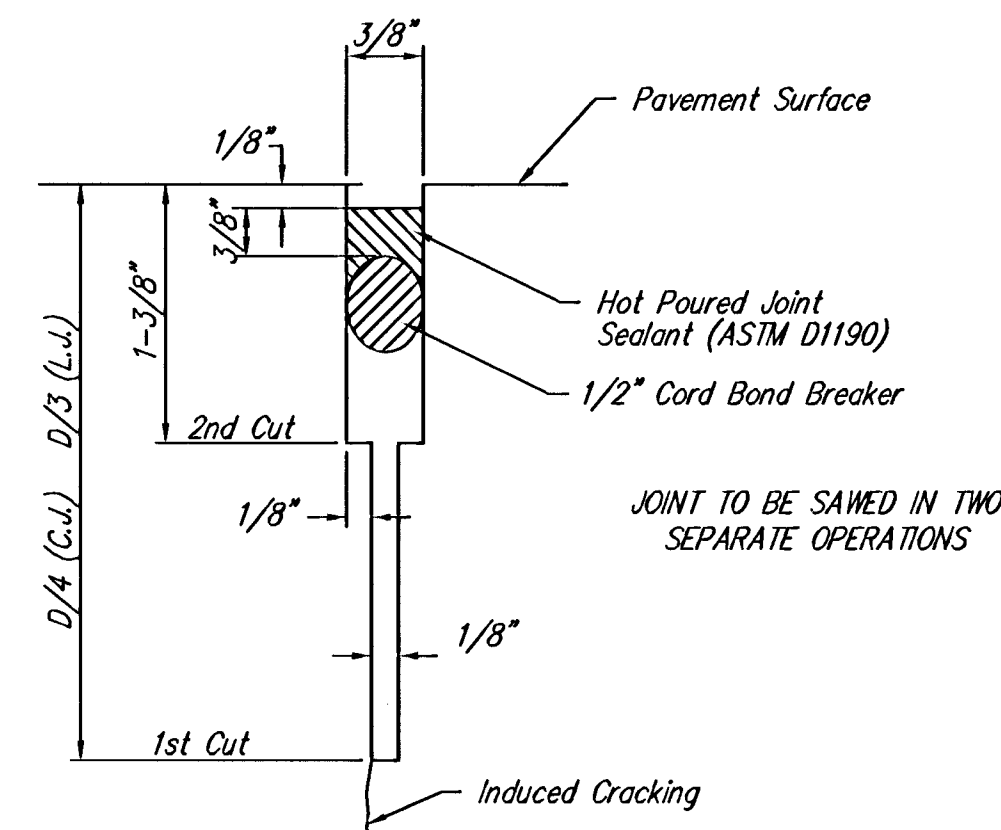


OPTIONAL CONTRACTION JOINT

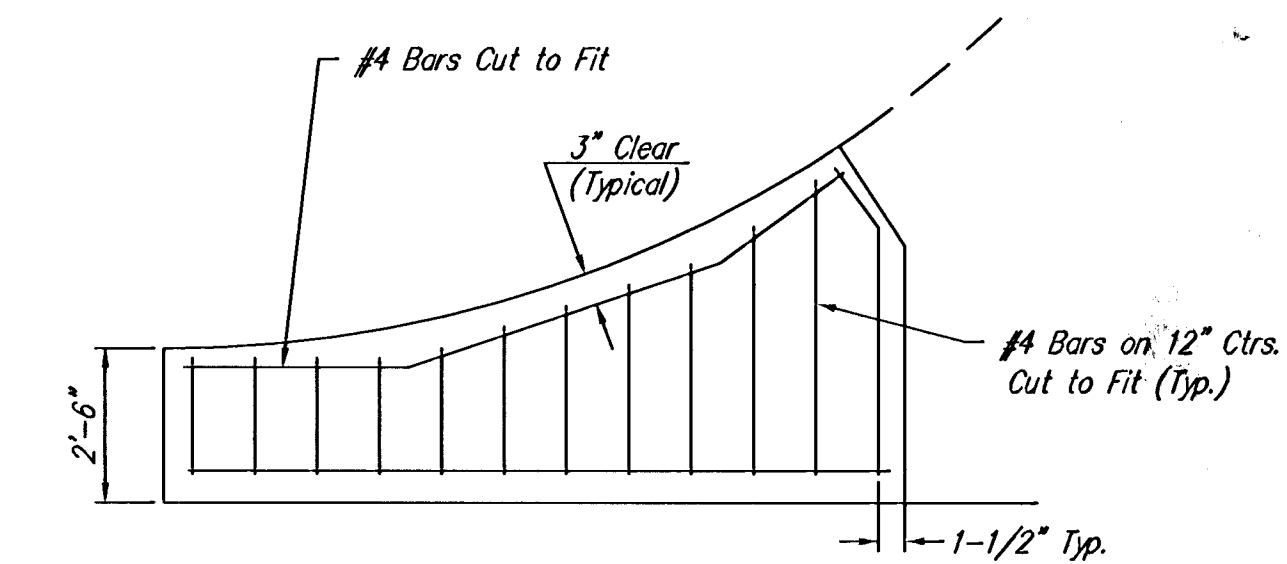


SECTION A-A

REINFORCED VALLEY GUTTER DETAIL



SAW JOINT DETAIL



WING REINFORCING DETAIL

<p>THE CITY OF WICHITA</p> <p>CITY ENGINEER'S OFFICE CITY HALL - SEVENTH FLOOR 405 NORTH MAIN STREET WICHITA, KANSAS 67202 (316) 268-4501 (316) 268-4114 FAX</p>	VALLEY GUTTER DETAILS	
	JIM ARMOUR, P.E.-ACTING CITY ENGINEER	
	PROJECT NUMBER 472-84087	OCA NUMBER 765913
	DATE NOV 2004	SHEET 4 OF 31