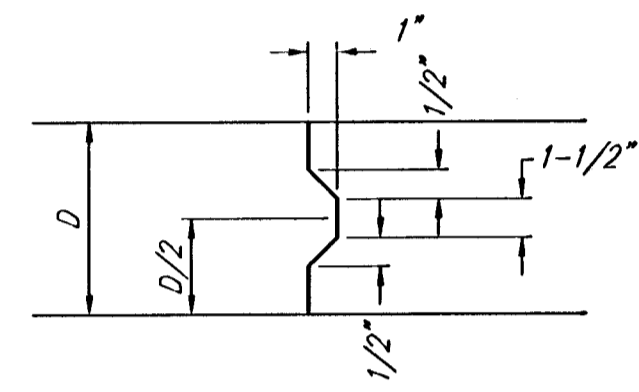
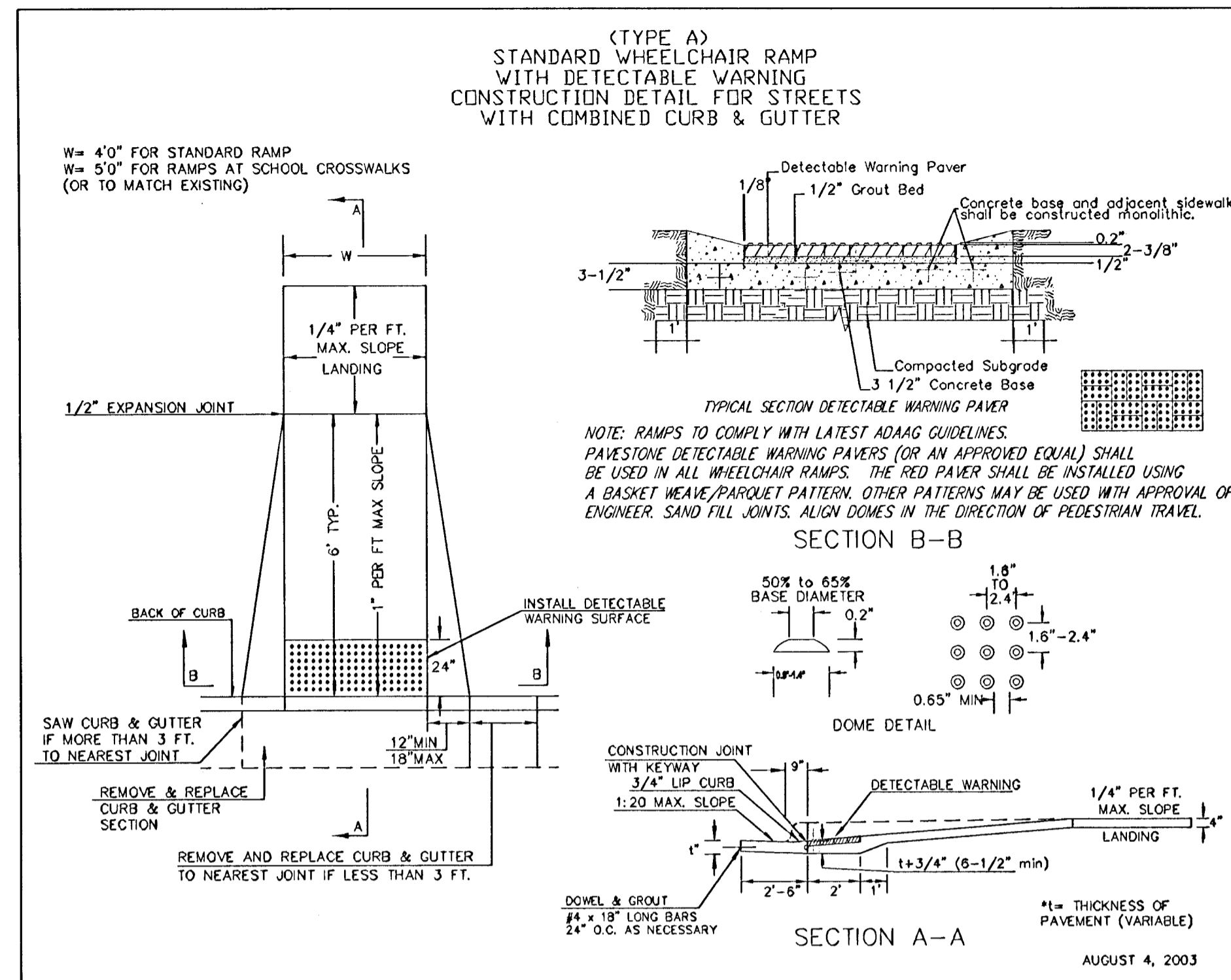


EXPANSION JOINT

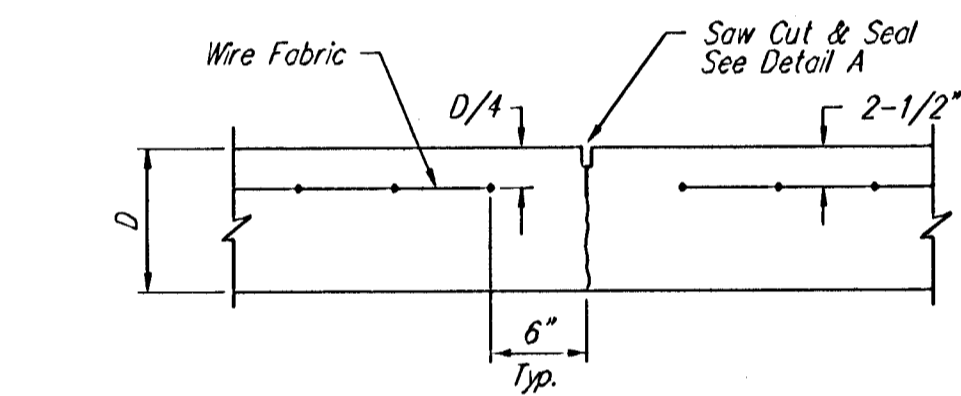
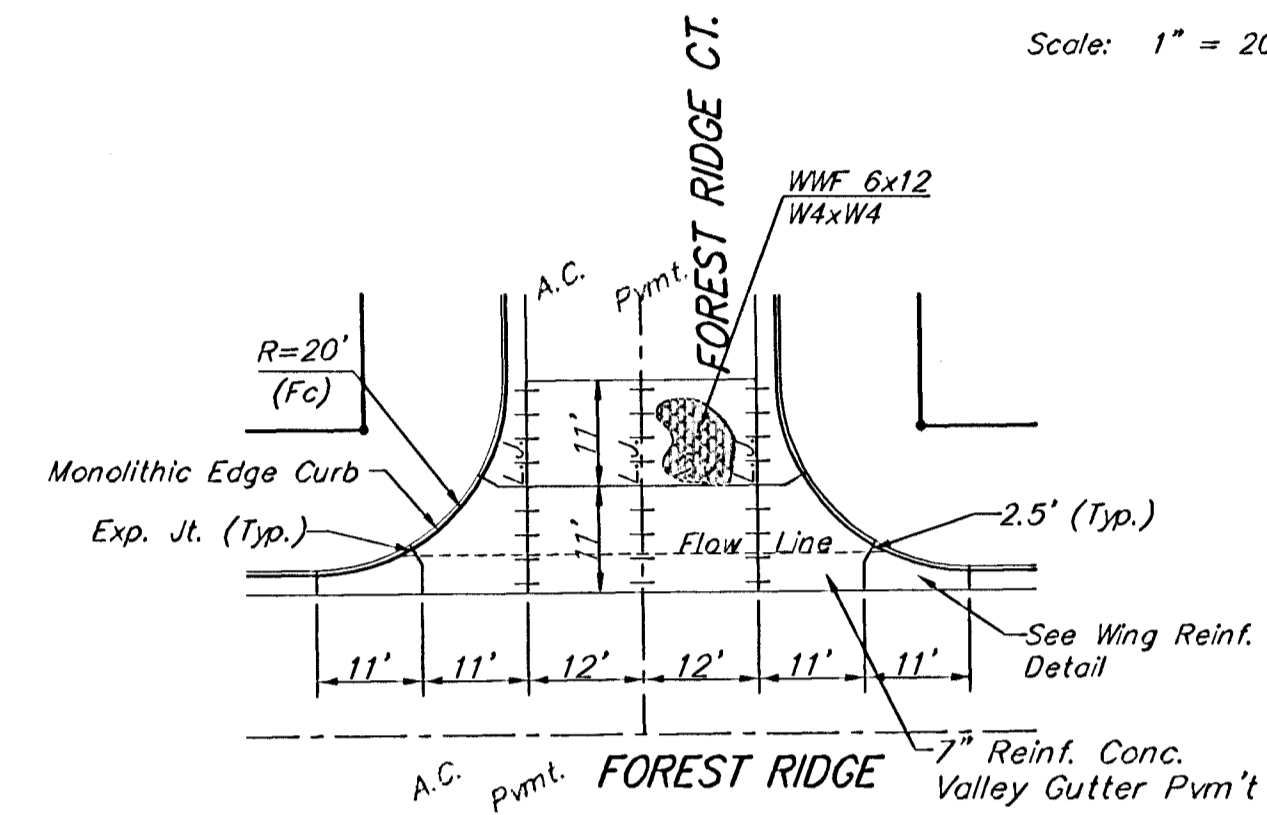
NOTE: Extra Thickness to be Subsidiary to Price of Square Yards Pavement



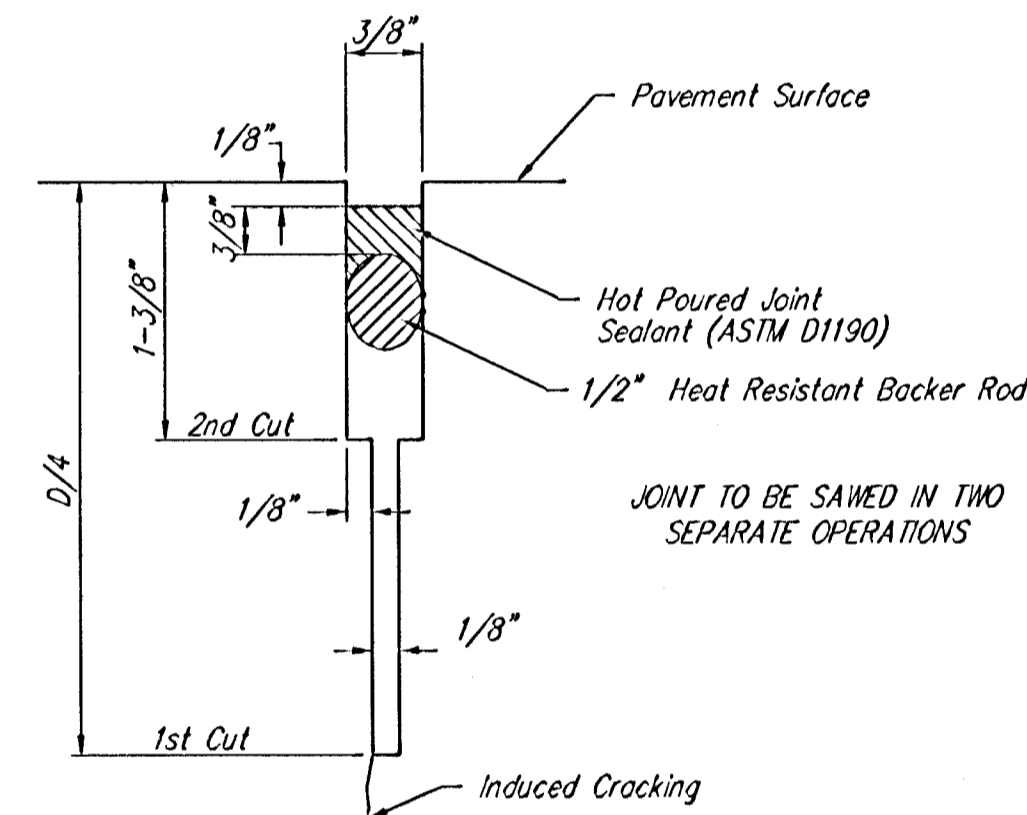
KEYWAY DETAIL



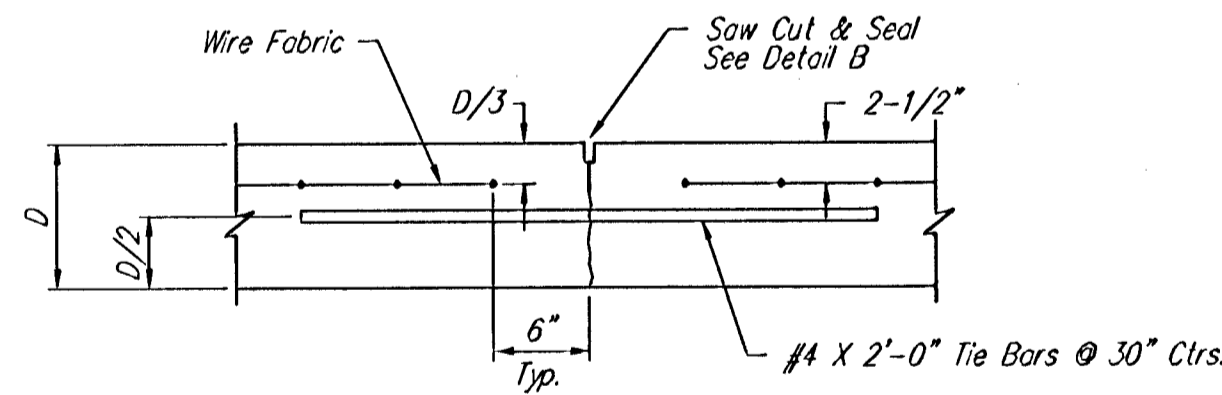
WHEELCHAIR RAMP DETAIL



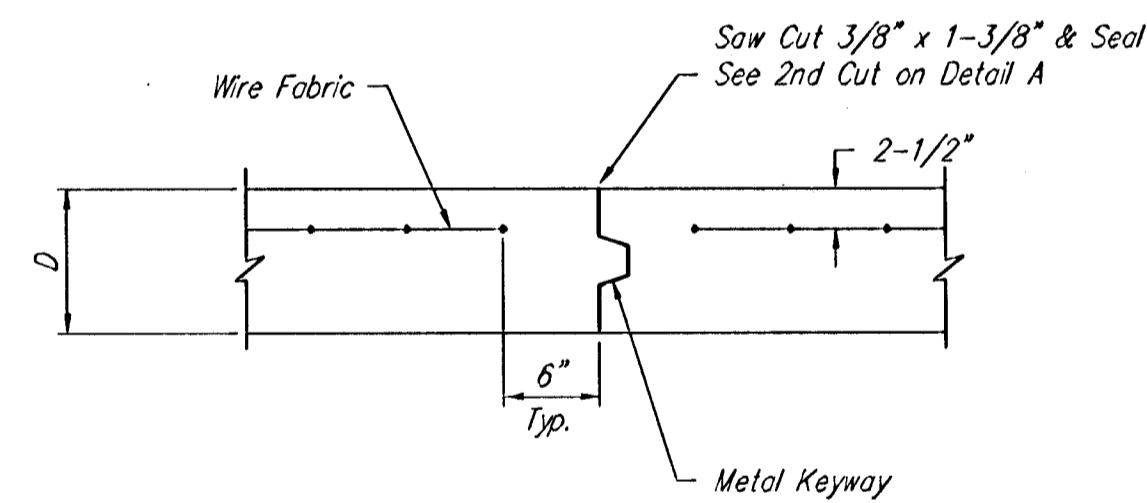
CONTRACTION JOINT DETAIL (C.J.)



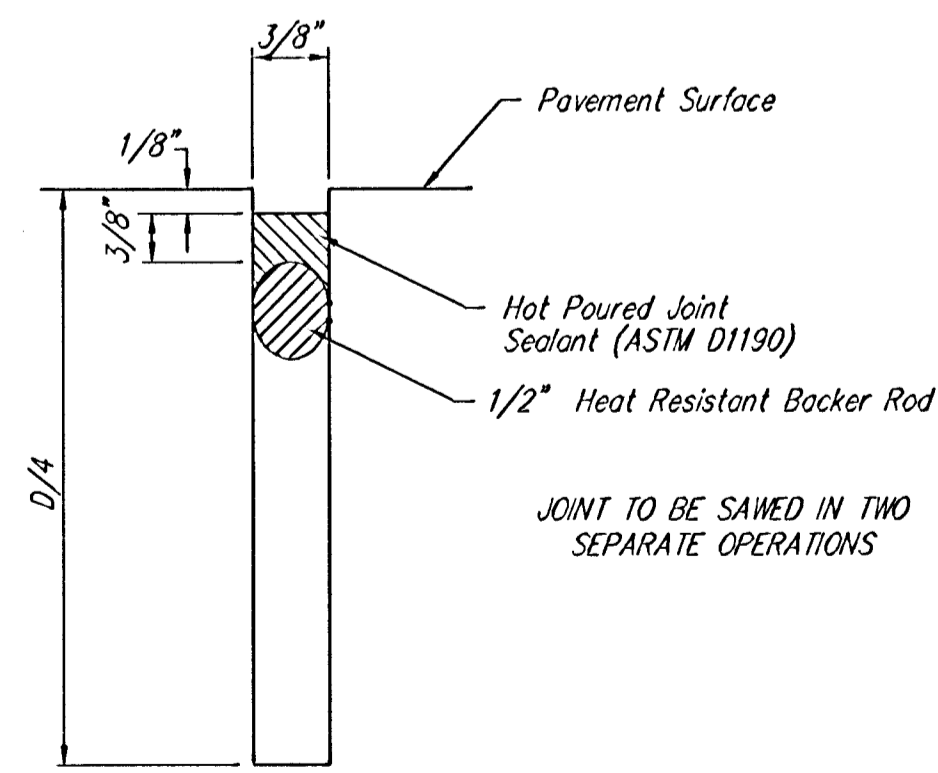
SAW JOINT DETAIL "A"



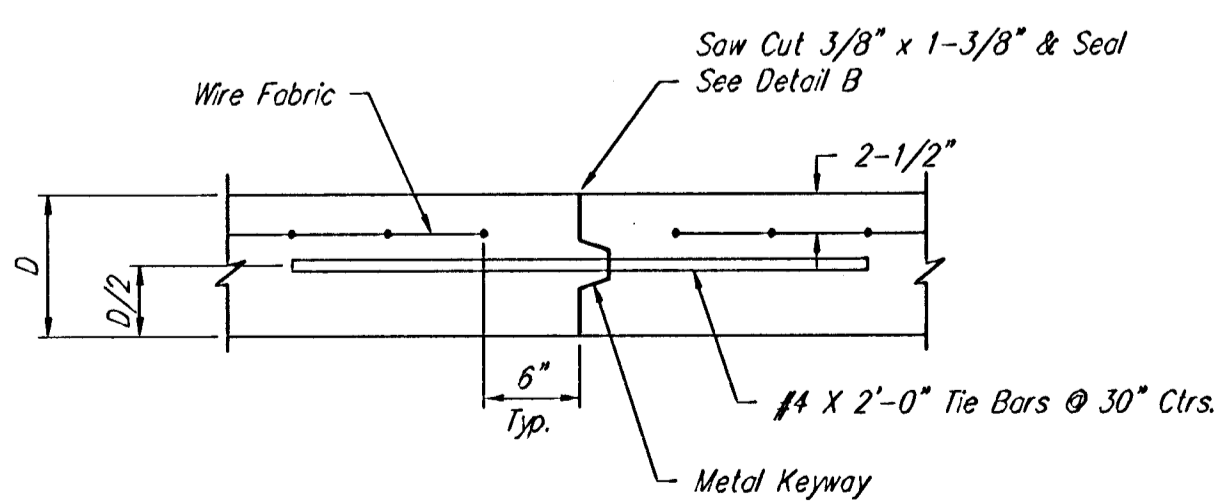
LONGITUDINAL JOINT DETAIL (L.J.)



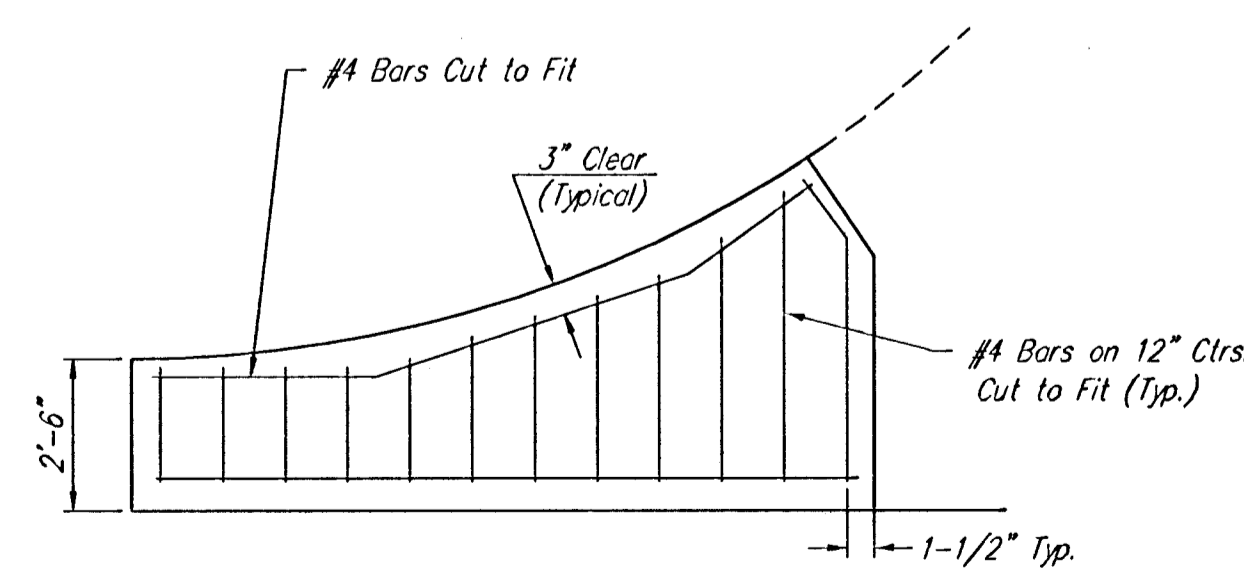
OPTIONAL CONTRACTION JOINT (CONSTRUCTION JOINT)



SAW JOINT DETAIL "B"



OPTIONAL LONGITUDINAL JOINT DETAIL (L.J.) (CONSTRUCTION JOINT)



WING REINFORCING DETAIL

NOTE: 6" X 12" W4XW4 Wire Fabric Reinforcing Shall Be Placed So That The Wires With The 6" Spacing Will Run Parallel With The Longitudinal Joints.

Baughman		VALLEY GUTTER DETAILS	
Baughman Company, P.A. 315 Ellis St. Wichita, KS 67211 F 316-262-7211 F 316-262-0149 ENGINEERING SURVEYING PLANNING LANDSCAPE ARCHITECTURE			
PROJECT NUMBER 472-84262	DESIGN STAFF	DRAWN STAFF	
REVISIONS:	APPROVED	DATE 08/05	
	SCALE NONE	SHEET	5 OF 52
tylers landing 2nd/Vghead			05-07-E283