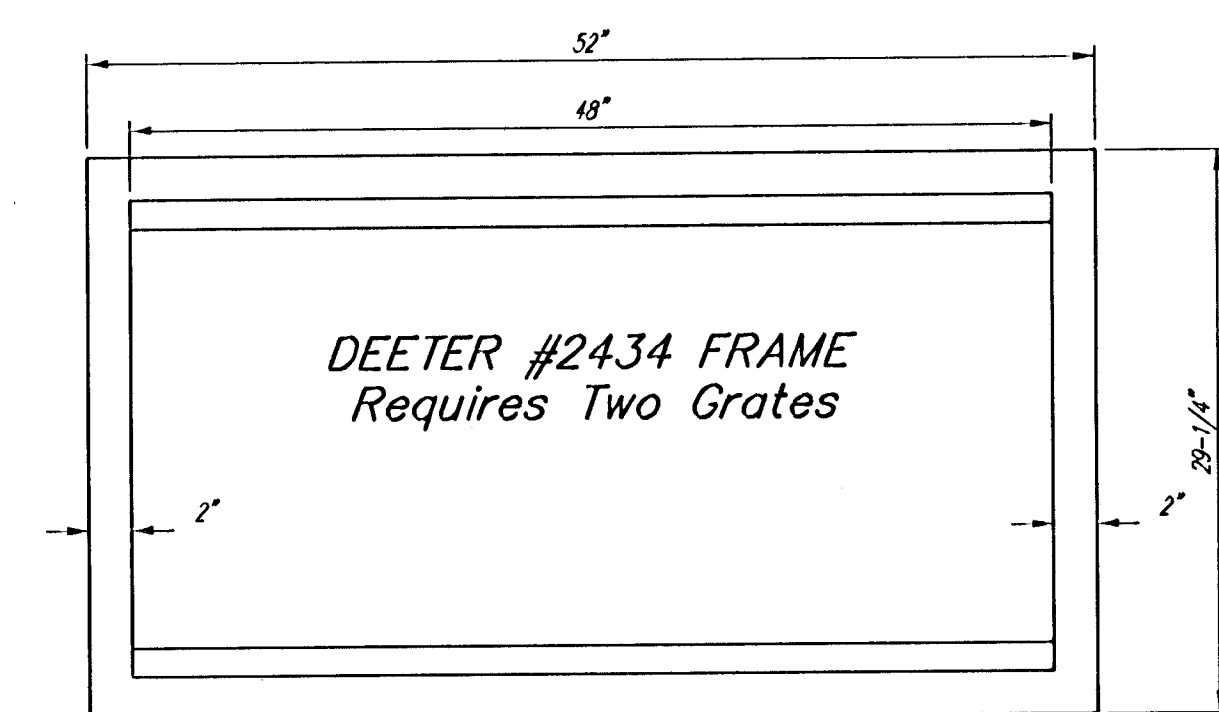


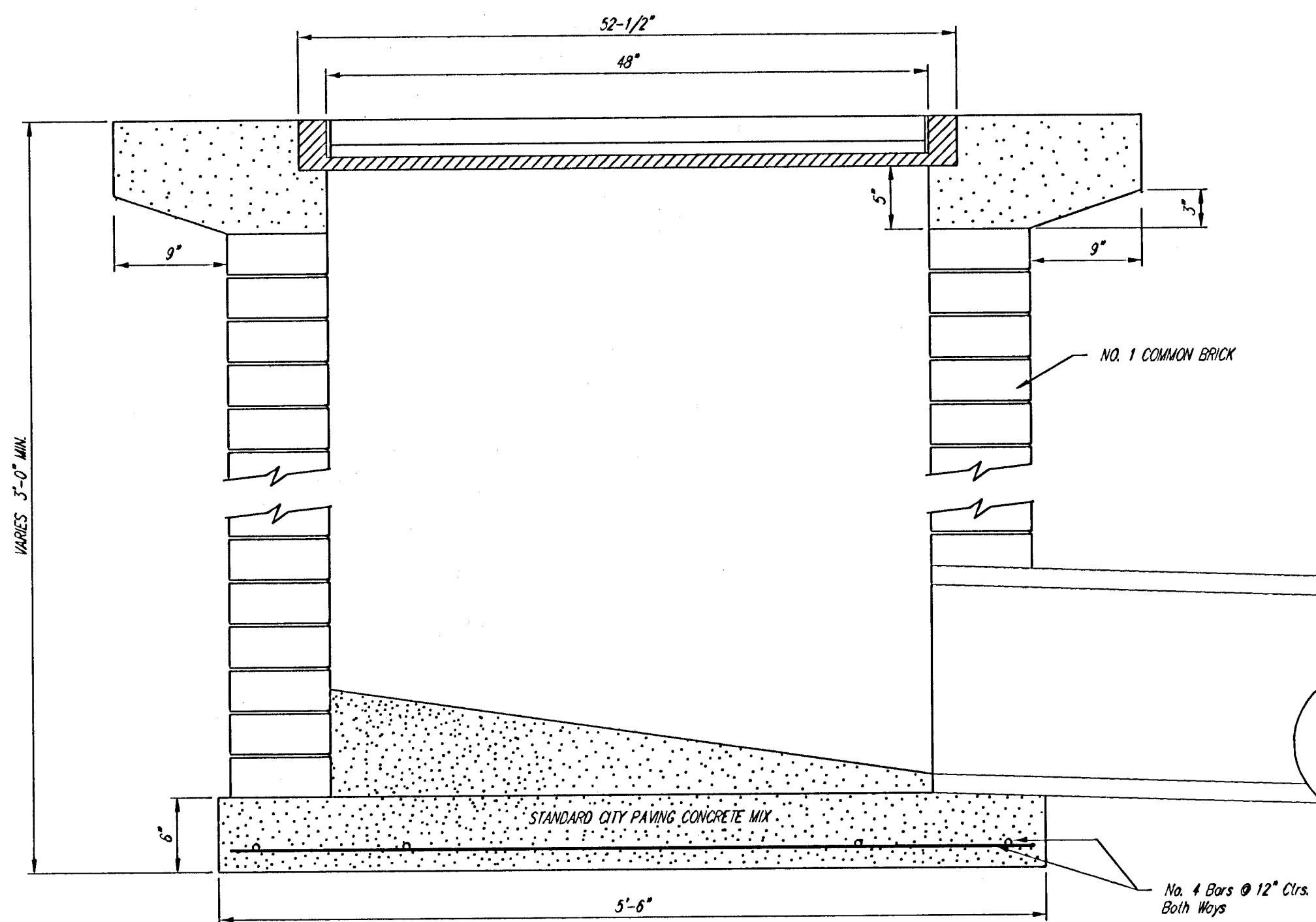
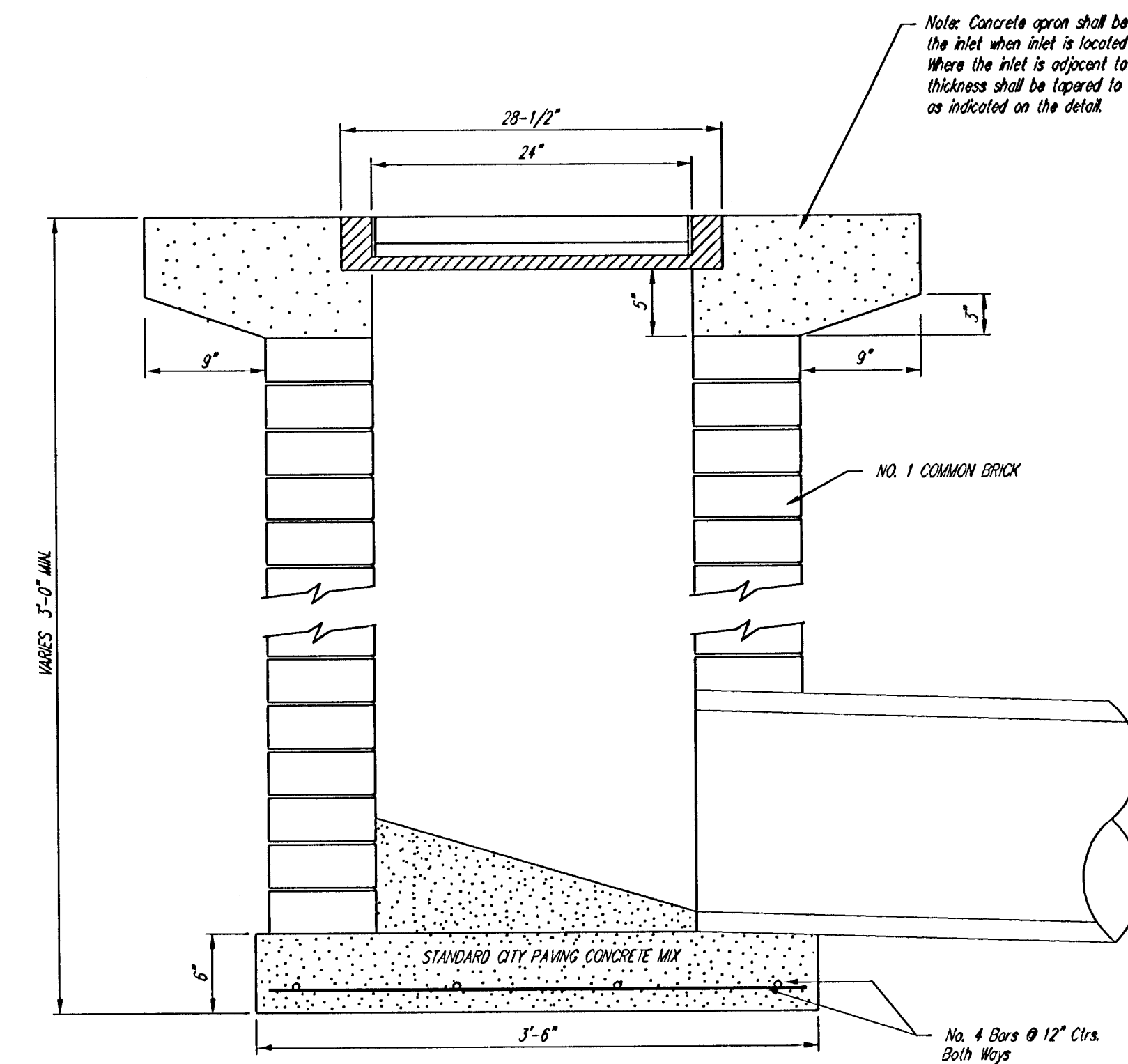
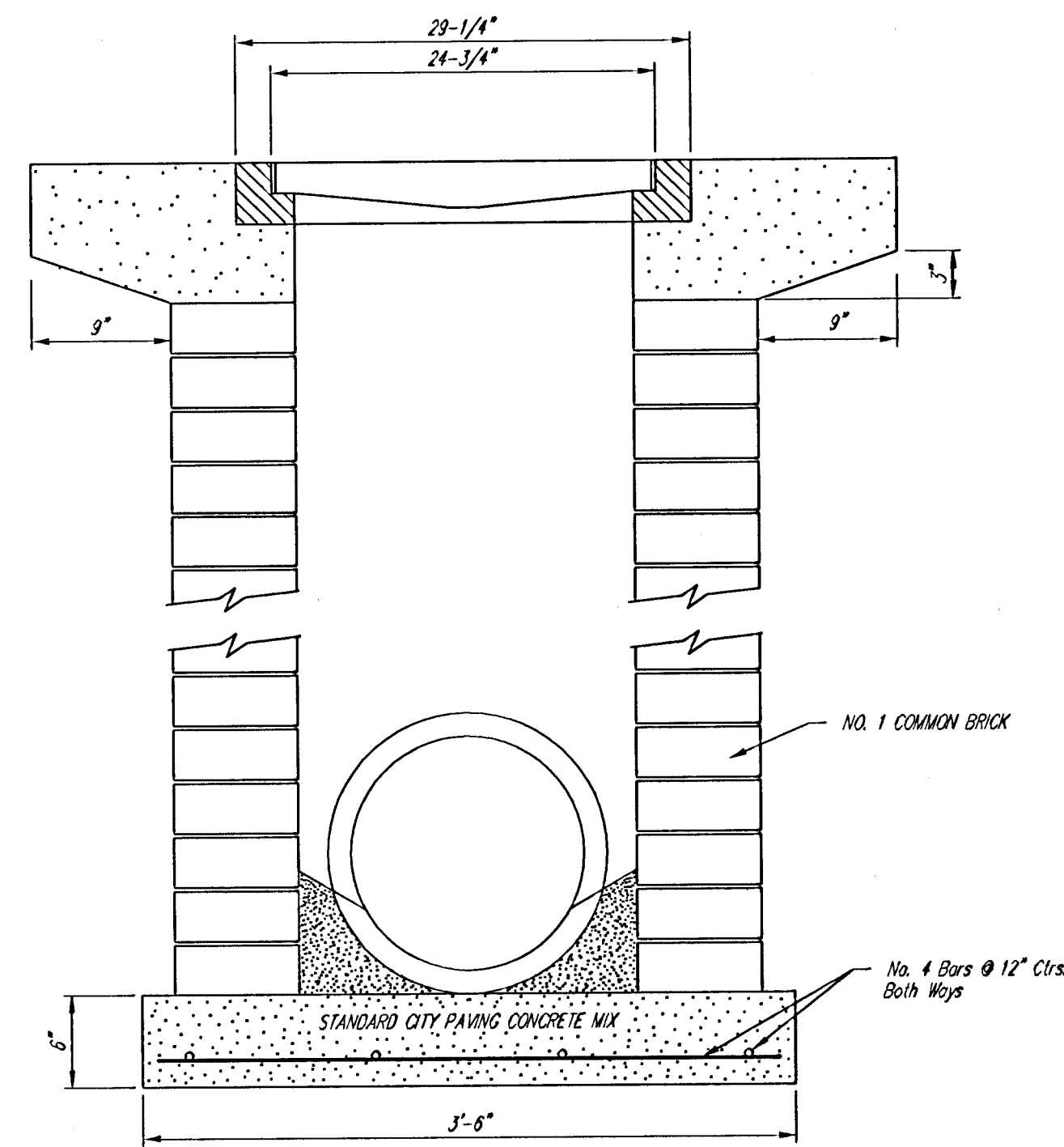
DEETER #2433 GRATE


24" x 24" Frame and Grate Detail

NOTE: Grates shall be imprinted on the top surface with "CITY OF WICHITA" using letters at least 1" in height. Other marking methods may be approved by the engineer.



Double 24" x 24" Frame Detail



		City of Wichita Standard Drop Inlet Detail	
Baughman Company, P.A. 315 Ellis St. Wichita, KS 67211 P 316.262.7171 F 316.262.0149 ENGINEERING SURVEYING PLANNING LANDSCAPE ARCHITECTURE			
PROJECT NUMBER 472-84262	DESIGN C.O.W.	DRAWN STAFF	
REVISIONS:	APPROVED	DATE 08/05	
	SCALE NONE	SHEET	
			34 OF 52