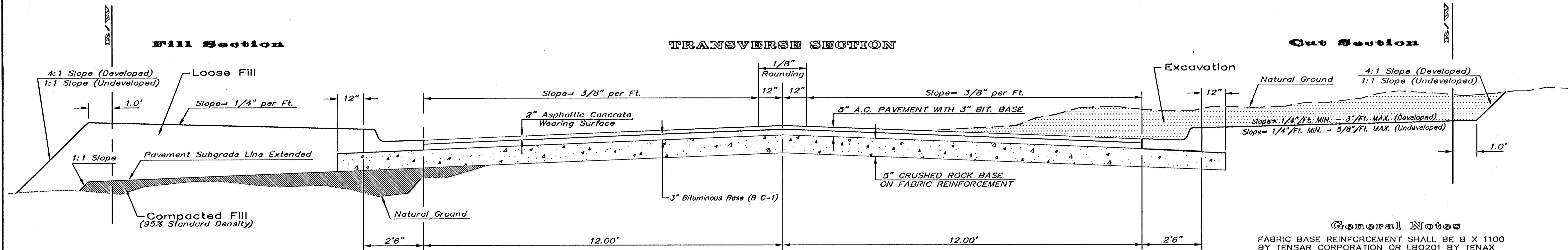


TYPICAL 29' B-B PAVEMENT DETAILS



CRUSHED ROCK GRADATION REQUIREMENTS PERCENT OF AGGREGATE RETAINED

| | |
|--------|---------|
| 2-1/2" | 0 |
| 3/4" | 20 - 60 |
| #4 | 50 - 80 |
| #40 | 80 - 94 |
| #200 | 90 - 98 |

ROCK QUALITY SHALL CONFORM TO THE REQUIREMENTS SPECIFIED BY THE KDOT 1990 EDITION STANDARD SPECIFICATION SUBSECTION 1102 FOR DURABILITY CLASS I.



| | DISTANCE FROM CENTERLINE (L.T. & RT.) | | | | | | | | | | |
|-------------------------------------------|---------------------------------------|------|------|------|------|------|------|------|------|-------|-------|
| | 0' | 2' | 4' | 6' | 7' | 8' | 10' | 12' | 14' | 14.5' | 15.5' |
| A: Top of Curbs to Top of Surface Lift | 0.13 | 0.18 | 0.24 | 0.30 | 0.33 | 0.36 | 0.43 | 0.49 | - | - | - |
| B: Top of Curbs to Top of Upper Base Lift | 0.30 | 0.35 | 0.41 | 0.47 | 0.50 | 0.53 | 0.60 | 0.68 | - | - | - |
| C: Top of Curbs to Top of C.R. Subgrade | 0.55 | 0.60 | 0.66 | 0.72 | 0.75 | 0.78 | 0.85 | 0.91 | 0.97 | 0.98 | 1.01 |

General Notes

FABRIC BASE REINFORCEMENT SHALL BE B X 1100 BY TENSAR CORPORATION OR LBO201 BY TENAX CORPORATION OR APPROVED EQUAL. FABRIC BASE REINFORCEMENT SHALL BE INSTALLED IN ACCORDANCE WITH MANUFACTURER'S RECOMMENDATIONS.

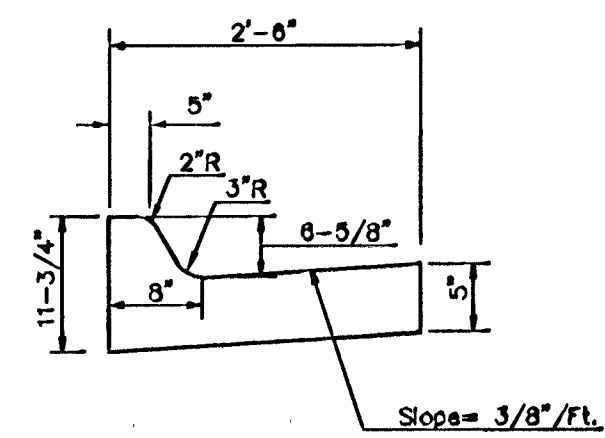
ROCK BASE IS TO BE COMPACTED AND SMOOTHED WITH A STEEL FACED ROLLER PRIOR TO PLACEMENT OF ASPHALT. TACK COAT WILL NOT BE APPLIED TO ROCK BASE.

A TACK COAT OF EMULSIFIED ASPHALT (SC-1H OR CSS-1H) SHALL BE APPLIED AT AN APPROXIMATE RATE OF 0.05 GALLONS PER SQUARE YARD BETWEEN EACH LIFT OF ASPHALTIC MATERIAL.

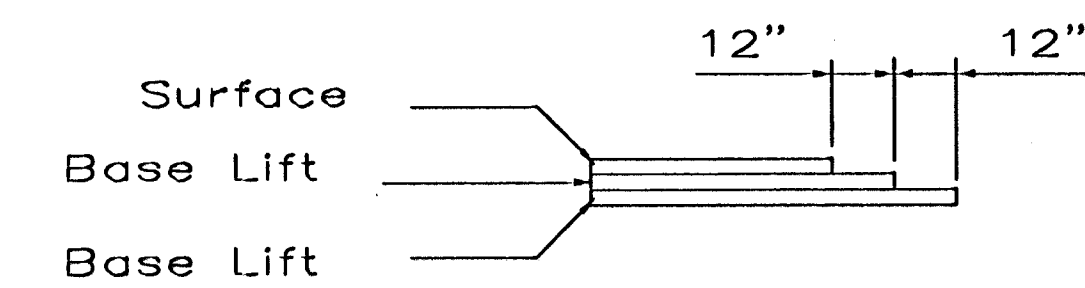
BITUMINOUS BASE AND ASPHALTIC CONCRETE WEARING SURFACE SHALL BE PLACED WITH A LAYDOWN MACHINE HAVING AUTOMATIC CONTROLS FOR LINE AND GRADE.

CONSTRUCTION JOINTS IN EACH LIFT SHALL BE STAGGERED A MINIMUM DISTANCE OF ONE (1) FOOT FROM JOINTS IN PRECEDING LIFTS AND PLACED SO THAT A JOINT WILL BE CONSTRUCTED ON THE CENTERLINE OF THE TOP LIFT.

THE ASPHALTIC CONCRETE PAVEMENT BETWEEN THE COMBINED CURB AND GUTTER SHALL BE PAID AS SQUARE YARDS OF 5" ASPHALTIC CONCRETE (3" BITUMINOUS BASE.)



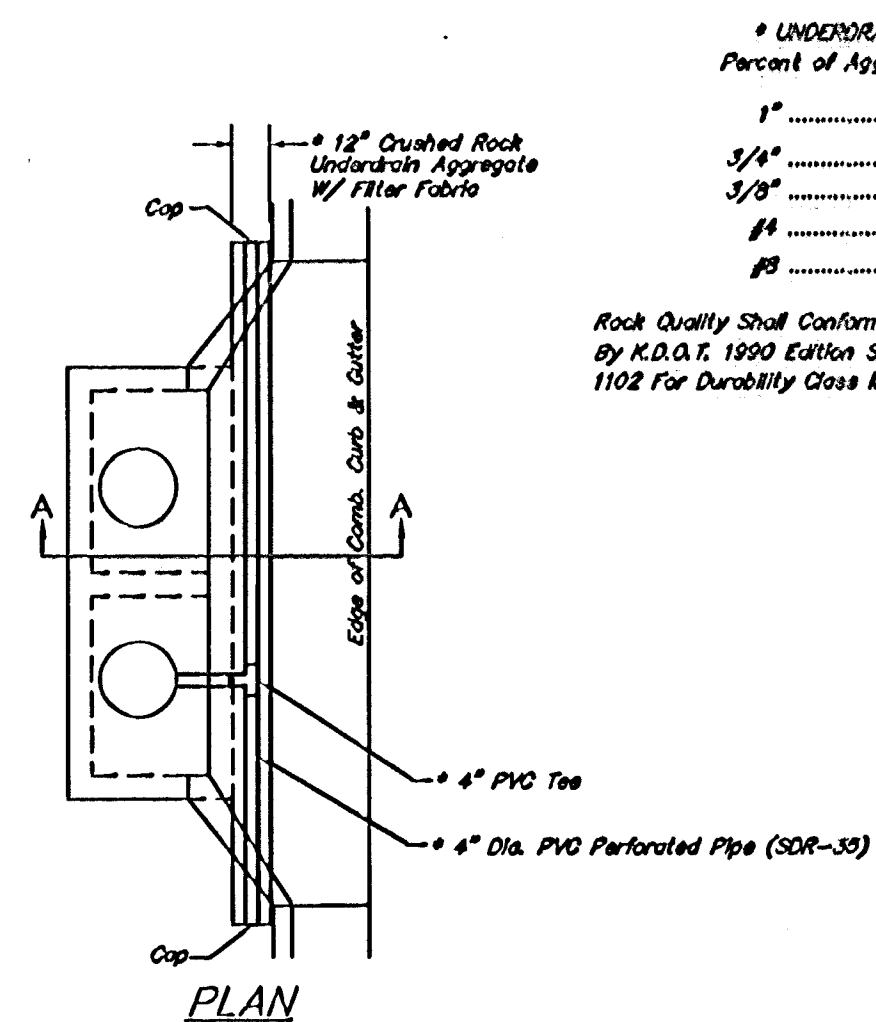
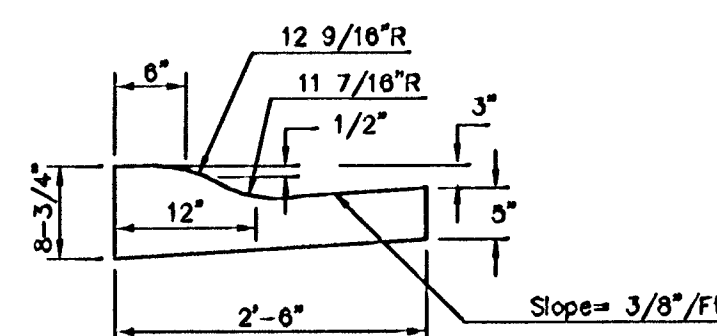
COMBINED CURB & GUTTER



TRANSVERSE CONSTRUCTION JOINTS

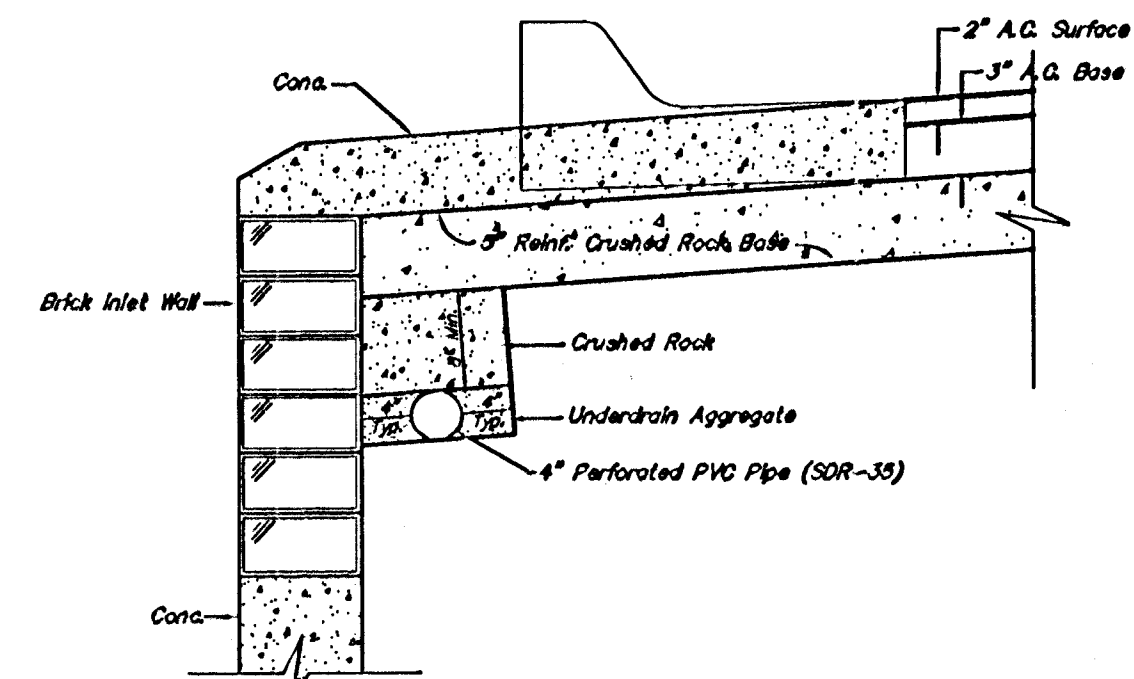
Transverse construction joints shall be constructed in flexible base pavements at locations where pavement joins existing flexible base pavement as shown by the detail. All costs associated with the construction of the transverse joint shall be included in the bid price for Square Yards 5" ASPHALTIC CONCRETE (3" BITUMINOUS BASE).

COMBINED ROLL TYPE CURB & GUTTER



PAVEMENT UNDERDRAIN DETAIL
NOT TO SCALE

SECTION A-A



TRENCH DRAIN DETAIL FOR RES. STREETS
NOT TO SCALE

| | |
|-----------------------------|-------------------------------------------------------------------------------------------------------------------------------------------------------|
| | 29' B-B Pavement Detail 5" AC Pavement with 5" Reinf. Rock Base City of Wichita, KS |
| | Baughman Company, P.A. 315 E. 15th St. Wichita, KS 67211 P 316.262.7271 F 316.262.0149 ENGINEERING SURVEYING PLANNING LANDSCAPE ARCHITECTURE |
| PROJECT NUMBER 472-84056 | DESIGN STAFF C.O.W. STAFF |
| REVISIONS | APPROVED DATE |
| | SCALE NONE SHEET 3 OF 51 |