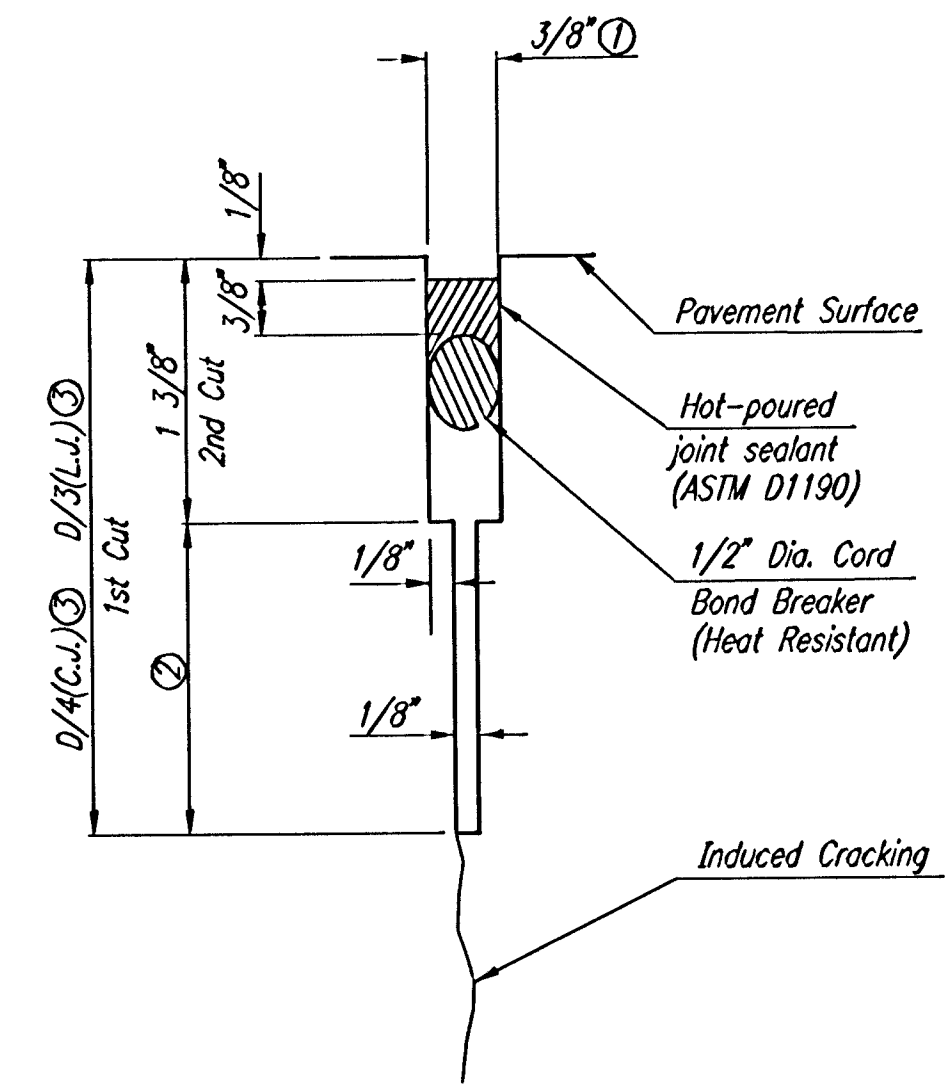


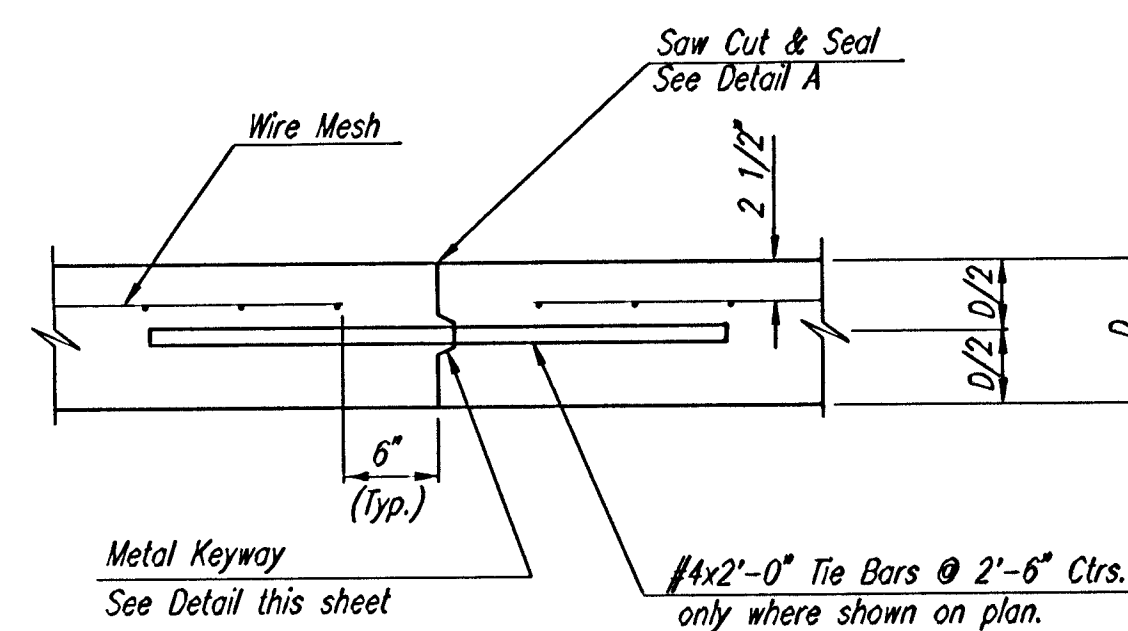
**WING REINFORCING DETAIL**

NOTE: OMIT WIRE FABRIC REINFORCING IN THIS SECTION.

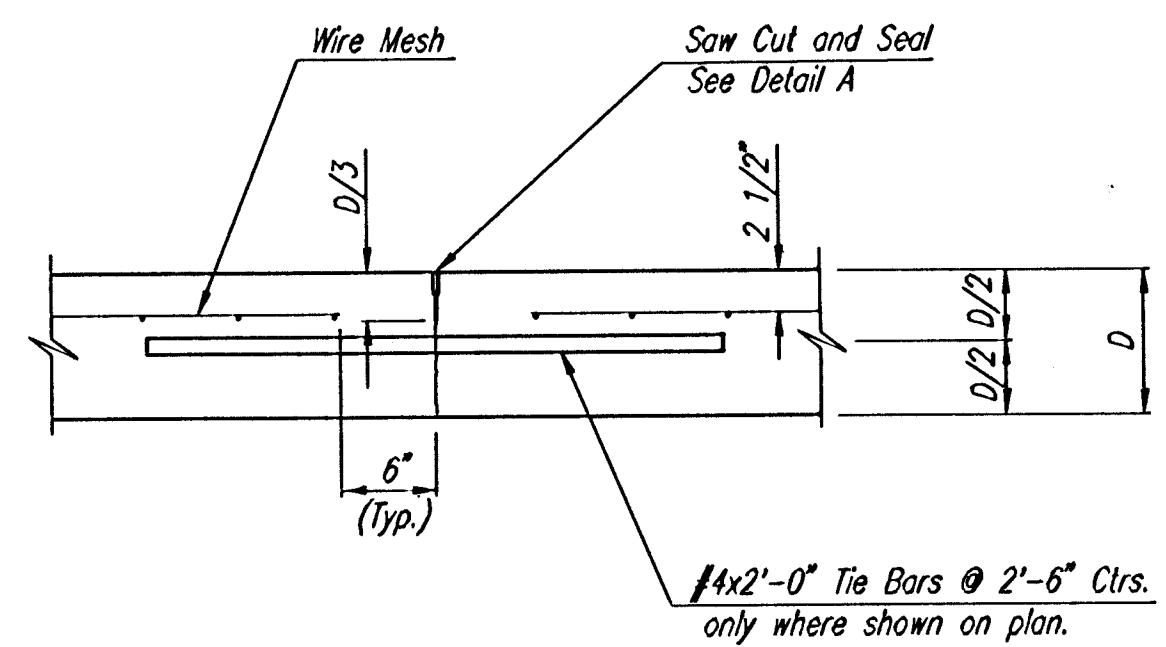


**DETAIL A**

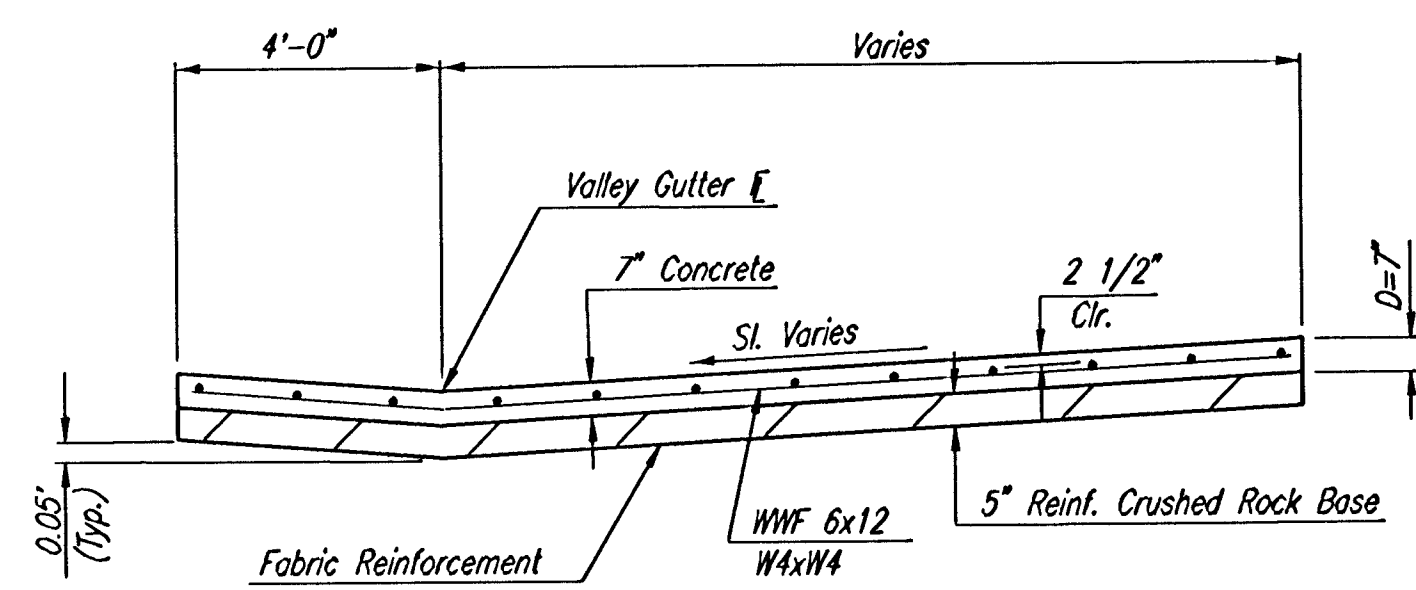
- ① To be accomplished in 2 cuts for Longitudinal Joints and Contraction Joints. Initial cut to be 1/8" wide.
- ② Eliminate bottom of cut when metal keyway is used as part of Longitudinal or Transverse Construction Joint and at Doweled Construction Joint Locations.
- ③ 1 1/2" Minimum



**LONGITUDINAL CONSTRUCTION JOINT DETAIL  
REINFORCED PAVEMENT  
(TRANSVERSE SECTION)  
(ALTERNATE L.J.)**



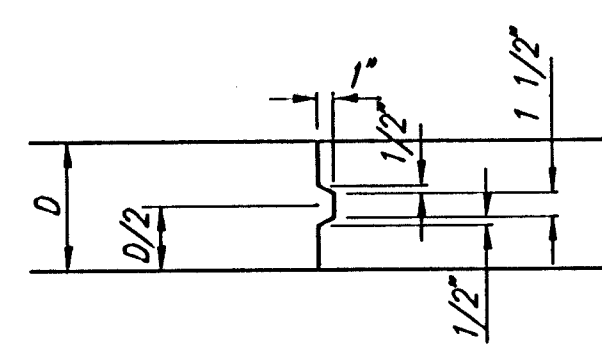
**LONGITUDINAL JOINT DETAIL  
REINFORCED PAVEMENT  
(TRANSVERSE SECTION)  
(L.J.)**



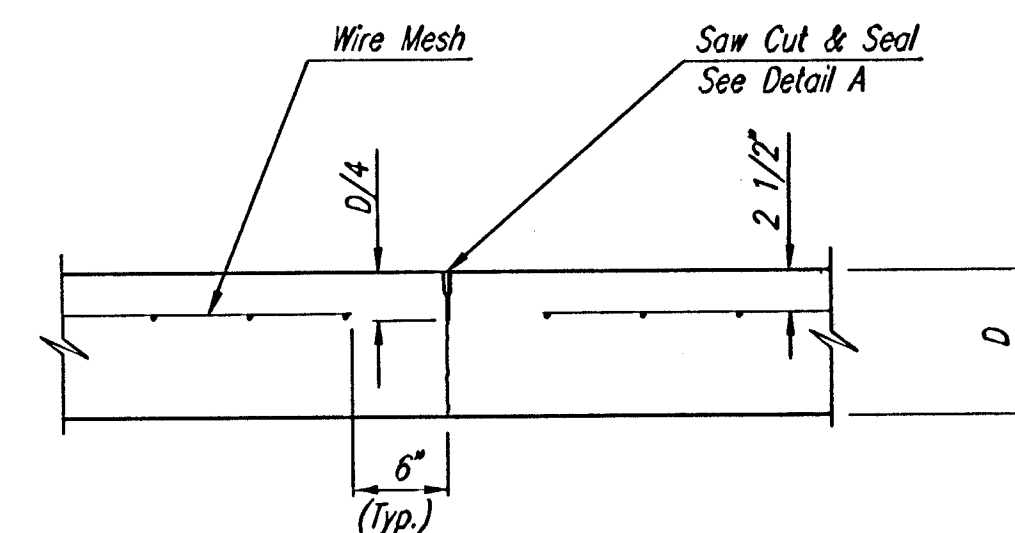
**SECTION A-A**

NOTE: OMIT REINFORCING MESH AT ALL JOINTS

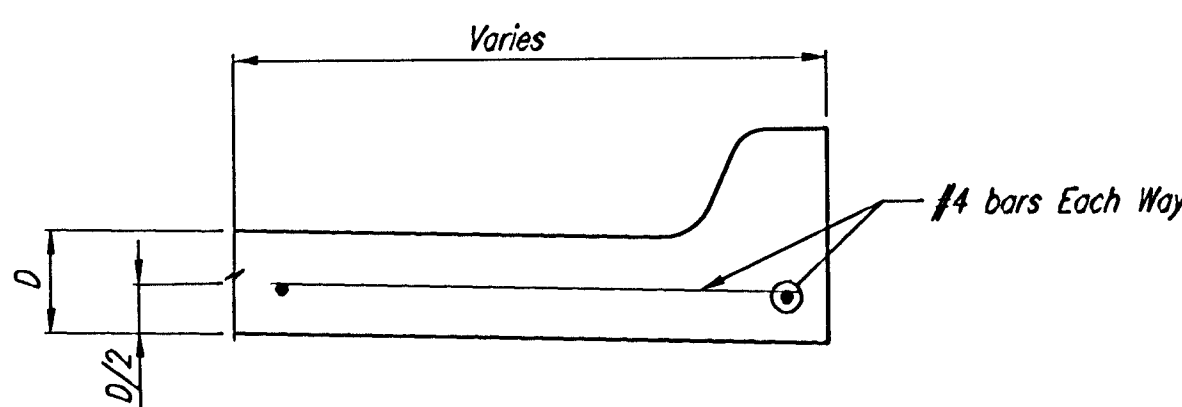
NOTE: ALL CONCRETE VALLEY GUTTER REINFORCEMENT SHALL BE ADEQUATELY SUPPORTED BY BAR CHAIRS IN THE REQUIRED POSITION UNLESS APPROVED OTHERWISE BY THE ENGINEER.



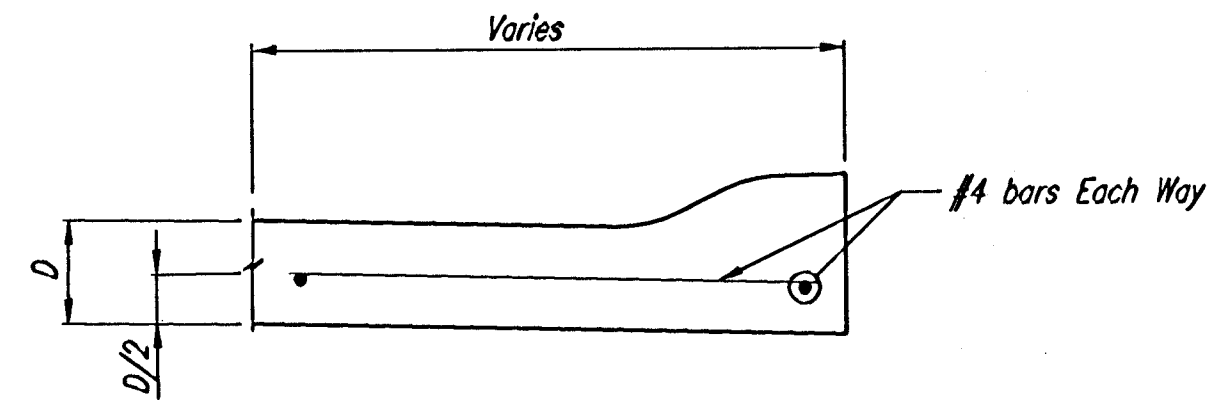
**KEYWAY DETAIL**



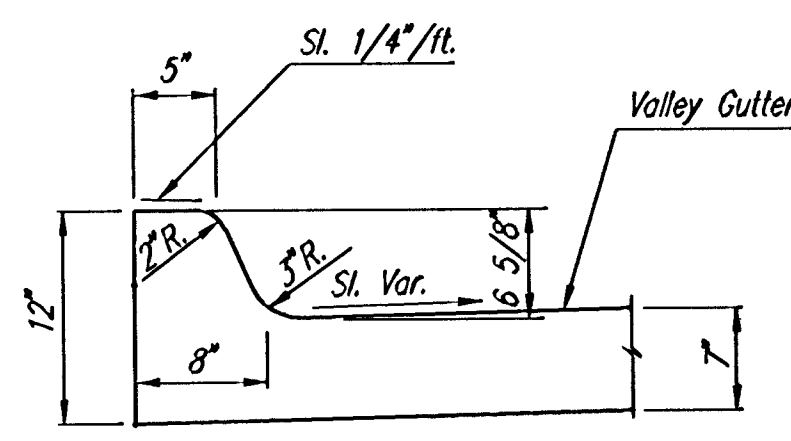
**CONTRACTION JOINT DETAIL  
REINFORCED PAVEMENT  
(C.J.)**



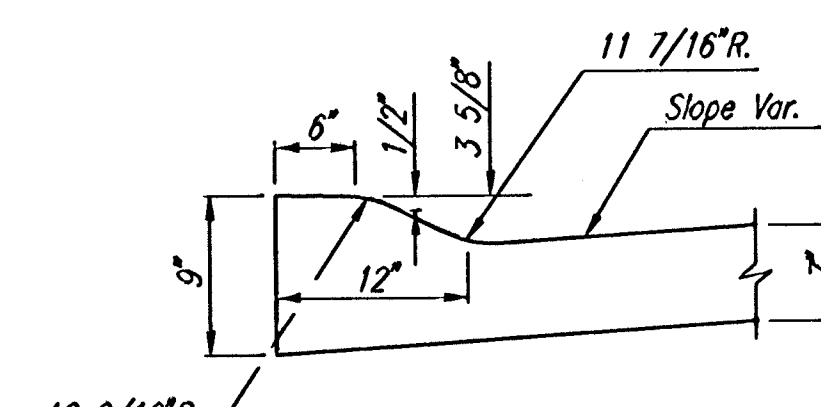
**SECTION C-C**



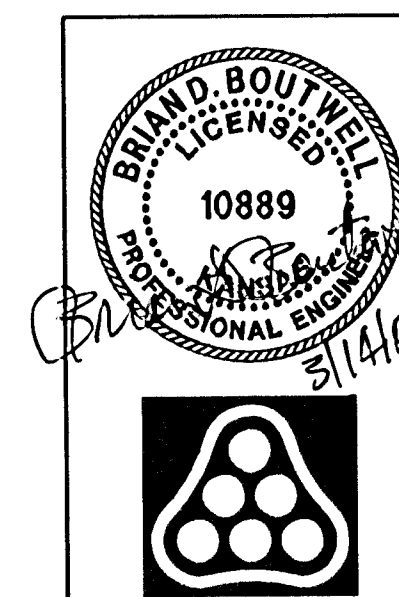
**SECTION C-C  
(ROLL-TYPE CURB)**



**DETAIL B**



**DETAIL C  
(ROLL-TYPE CURB)**



No.	Revision	By	Date
FONTANA ADDITION-PHASE 1			
<b>VALLEY GUTTER DETAILS</b>			
JAMES L. ARMOUR, P.E. - CITY ENGINEER CITY OF WICHITA PROJECT NO. 472-84086			
<b>Professional Engineering Consultants, P.A.</b>			
303 S. TOPEKA • WICHITA, KANSAS 67202 316-262-2691 • FAX 316-262-3003			
Designed by	BDB, BLB	Job No.	35-04485-000
Drawn by	BJS	Date	September 2004
			Sheet 27 of 101