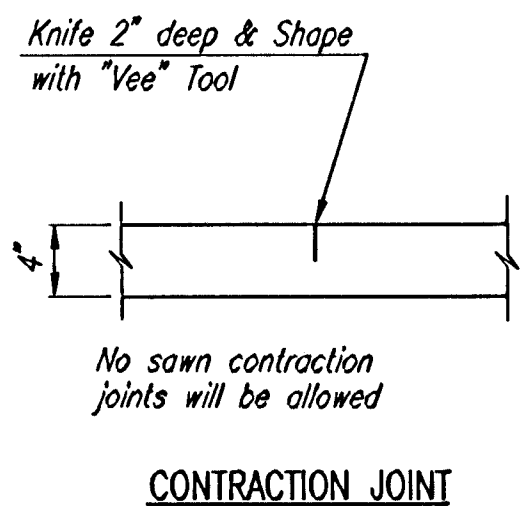
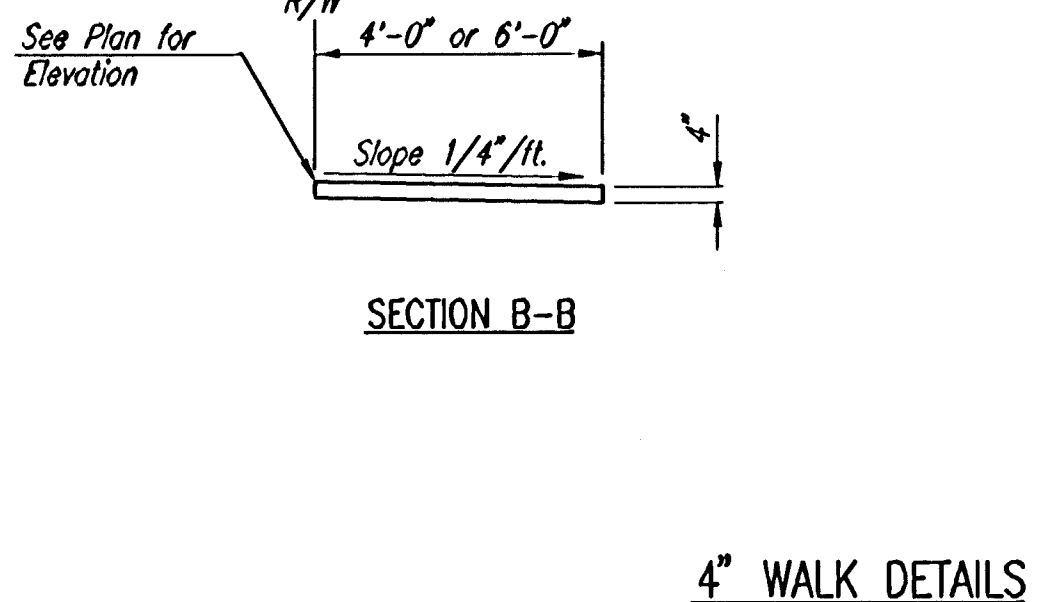
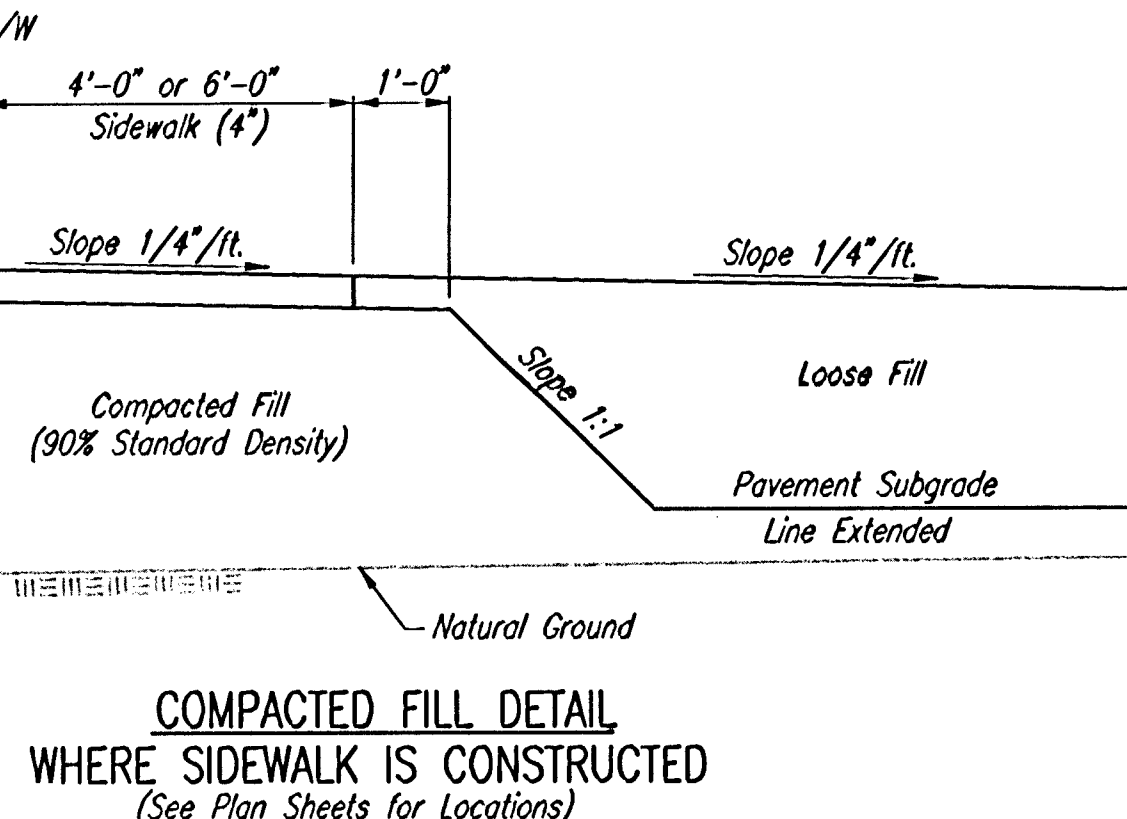


\* UNDERDRAIN AGGREGATE PERCENT OF AGGREGATE RETAINED

1"	0
3/4"	0-10
3/8"	45-80
#4	90-100
#8	95-100

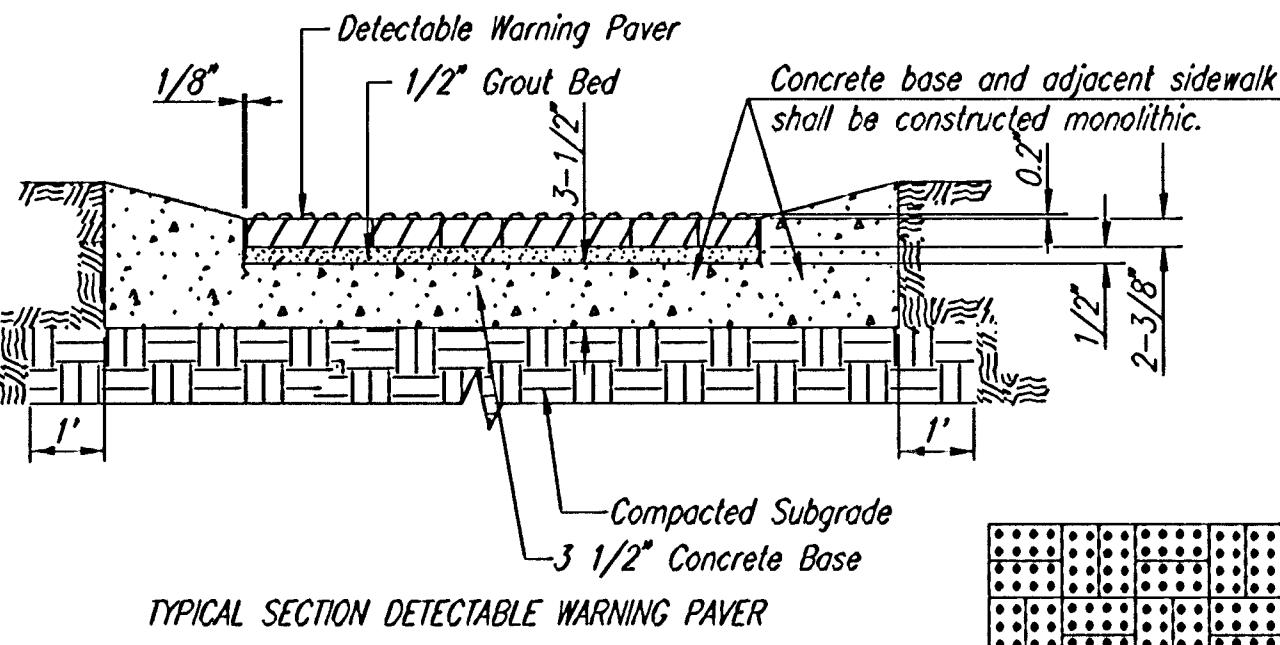
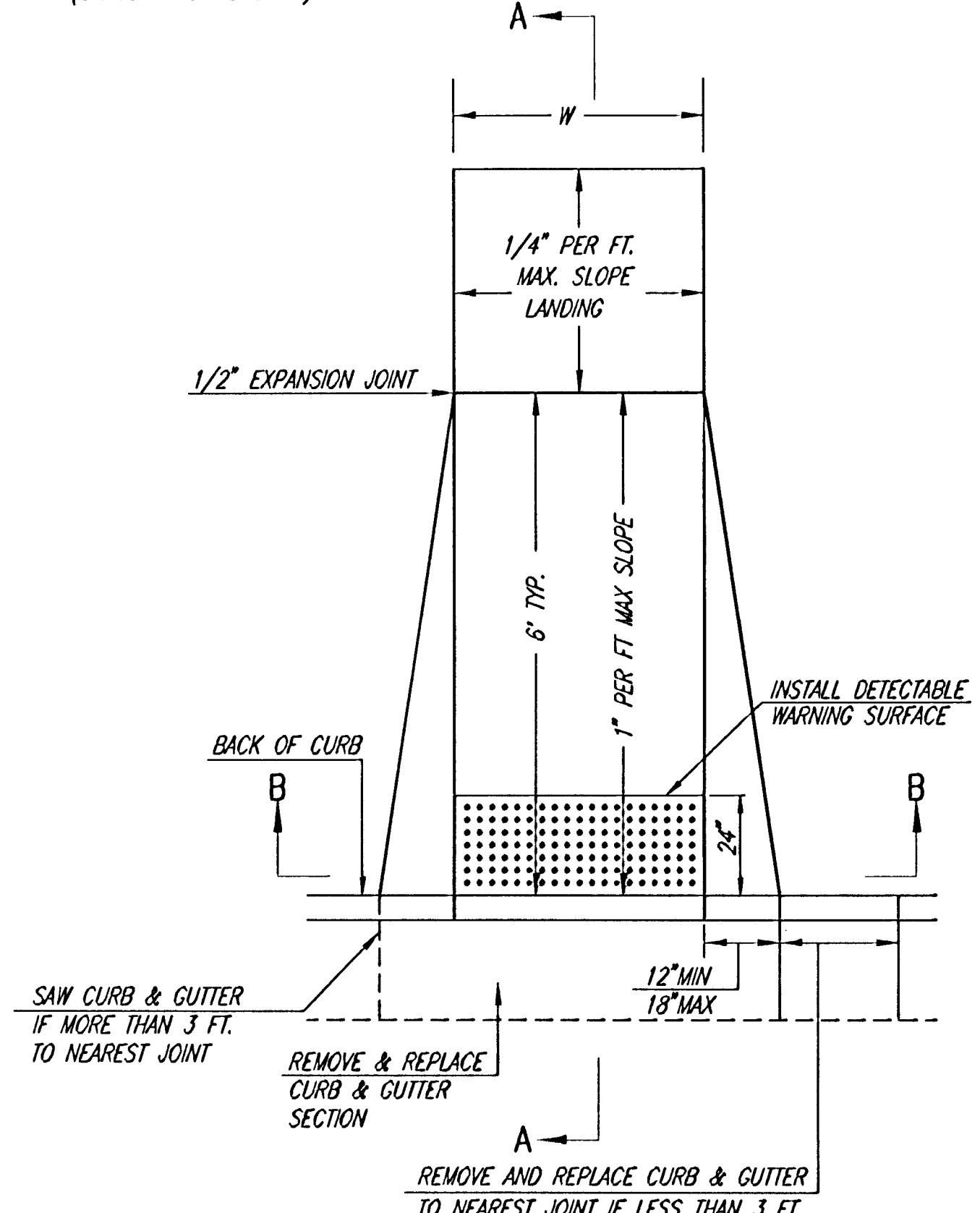
ROCK QUALITY SHALL CONFORM TO THE REQUIREMENTS SPECIFIED BY THE KDOT 1990 EDITION STANDARD SPECIFICATION SUBSECTION 1102 FOR DURABILITY CLASS I.

PAVEMENT UNDERDRAIN LOCATIONS		
STREET	STATION	SIDE
COVINGTON	19+22.34	LT. & RT.
LANDON CIRCLE	32+81.25	LT. & RT.
COVINGTON	41+85.84	LT. & RT.
SHEFFORD	49+10.30	LT. & RT.
FONTANA CIRCLE	71+63.42	LT.
FONTANA CIRCLE	71+63.42	RT.
COVINGTON	82+76.22	LT. & RT.
COVINGTON COURT	91+76.19	RT.



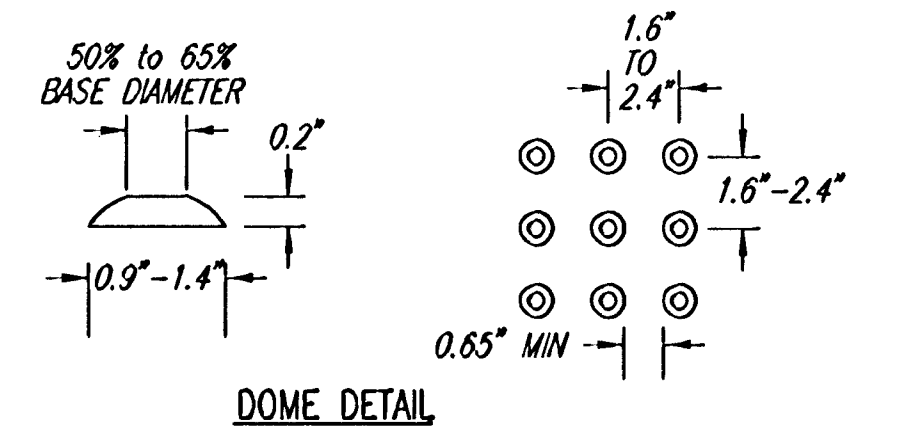
4" WALK DETAILS

W= 4'0" FOR STANDARD RAMP  
W= 5'0" FOR RAMPS AT SCHOOL CROSSWALKS (OR TO MATCH EXISTING)

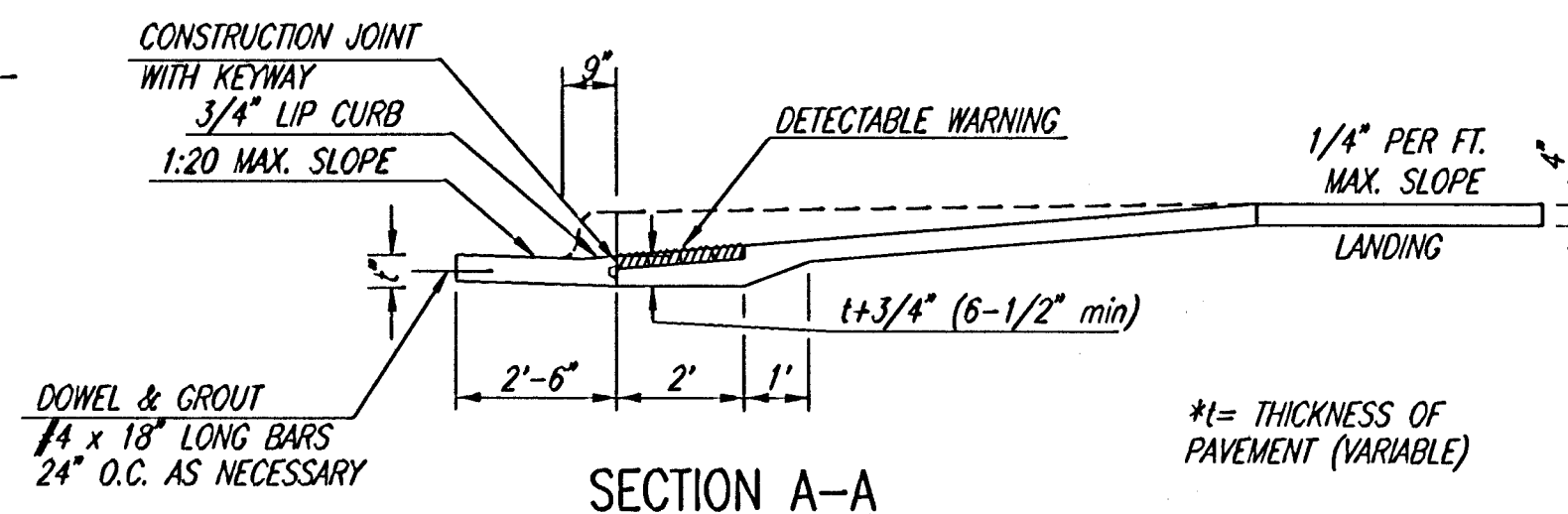


NOTE: RAMPS TO COMPLY WITH LATEST ADAAG GUIDELINES. PAVESTONE DETECTABLE WARNING PAVERS (OR AN APPROVED EQUAL) SHALL BE USED IN ALL WHEELCHAIR RAMPS. THE RED PAVER SHALL BE INSTALLED USING A BASKET WEAVE/PARQUET PATTERN. OTHER PATTERNS MAY BE USED WITH APPROVAL OF ENGINEER. SAND FILL JOINTS. ALIGN DOMES IN THE DIRECTION OF PEDESTRIAN TRAVEL.

SECTION B-B



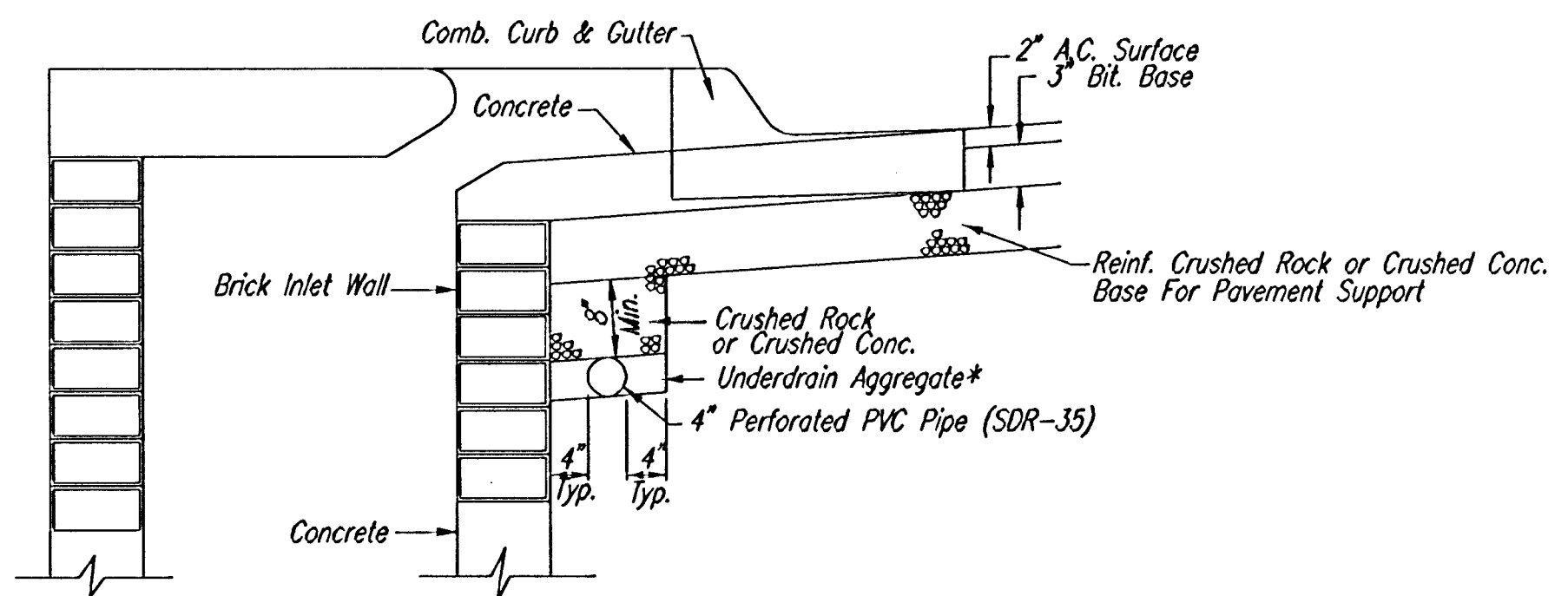
DOME DETAIL



SECTION A-A

\*t= THICKNESS OF PAVEMENT (VARIABLE)

TYPICAL WHEELCHAIR RAMP DETAILS

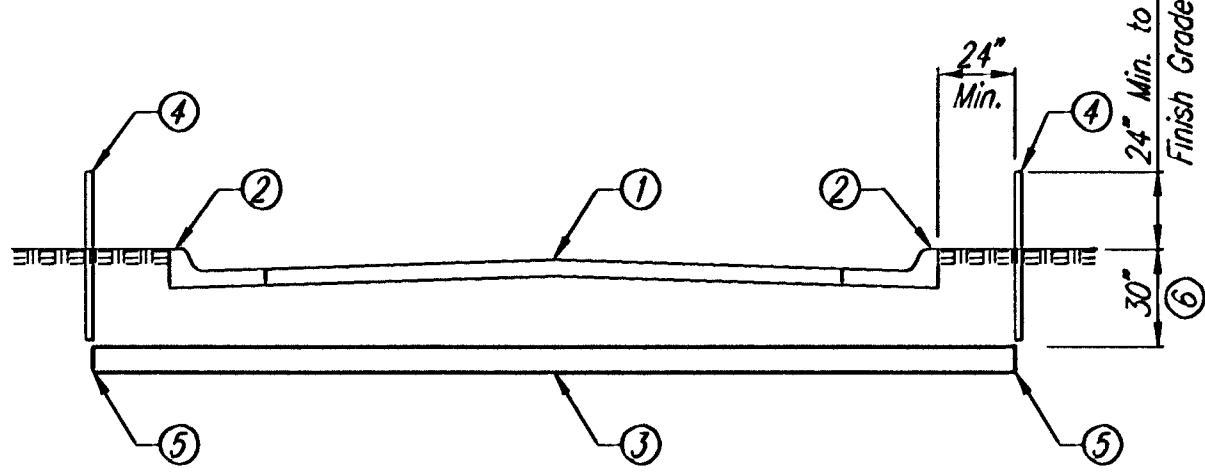


Min. 16 Perforations Per Lin. Ft. @ 1/4" Dia. Perforations To Be on Bottom Half

SECTION A-A

PAVEMENT UNDERDRAIN DETAIL

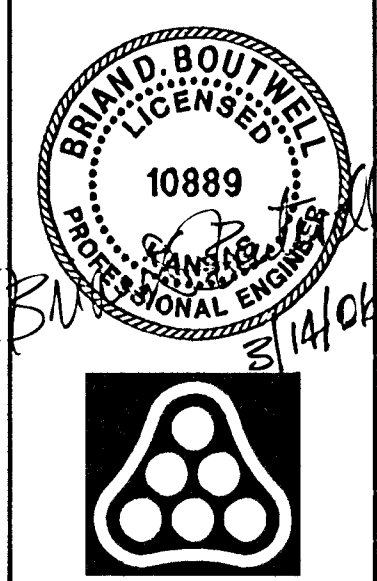
NOTE: PLACE 4" PVC PERFORATED PIPE AT ALL DRAINAGE SUMP LOCATIONS.  
COST OF UNDERDRAIN SYSTEM TO BE INCIDENTAL TO THE REINFORCED CRUSHED ROCK OR REINFORCED CRUSHED CONCRETE BASE.  
INLET TYPE MAY VARY FROM THAT SHOWN.



CLASS 200 PVC SLEEVES

Payment for "PVC Sleeves" Shall be Per Each, Regardless of Length, and Shall include Items 2 thru 5 Listed Below.

- 1) Pavement/Street
- 2) Permanent Mark on Top of Curb, Stamped in Wet Concrete—"x" or "s"
- 3) 8" Class 200 PVC Sleeve Extended 2' Past Back of Curbs. Sleeves Shall be Bedded and Backfilled in Accordance with City of Wichita Specifications for Flexible Sanitary/Storm Sewer Pipe.
- 4) Temporary T-Post Marker, Until Permanent Benchmark is Made in Concrete (2 Total)
- 5) 8" PVC Caps-Not Glued (2 Total)
- 6) Adjust Depth Where Necessary to Avoid Other Utilities.



No.	Revision	By	Date
	FONTANA ADDITION-PHASE 1		
<b>MISCELLANEOUS PAVING DETAILS</b>			
JAMES L. ARMOUR, P.E. - CITY ENGINEER CITY OF WICHITA PROJECT NO. 472-84086			
<b>Professional Engineering Consultants, P.A.</b>			
303 S. TOPEKA • WICHITA, KANSAS 67202 316-262-2691 • FAX 316-262-3003			
Designed by	BDB, BLB	Job No.	35-04485-000
Drawn by	BJS	Date	September 2004
			Sheet 28 of 101

AUGUST 4, 2003