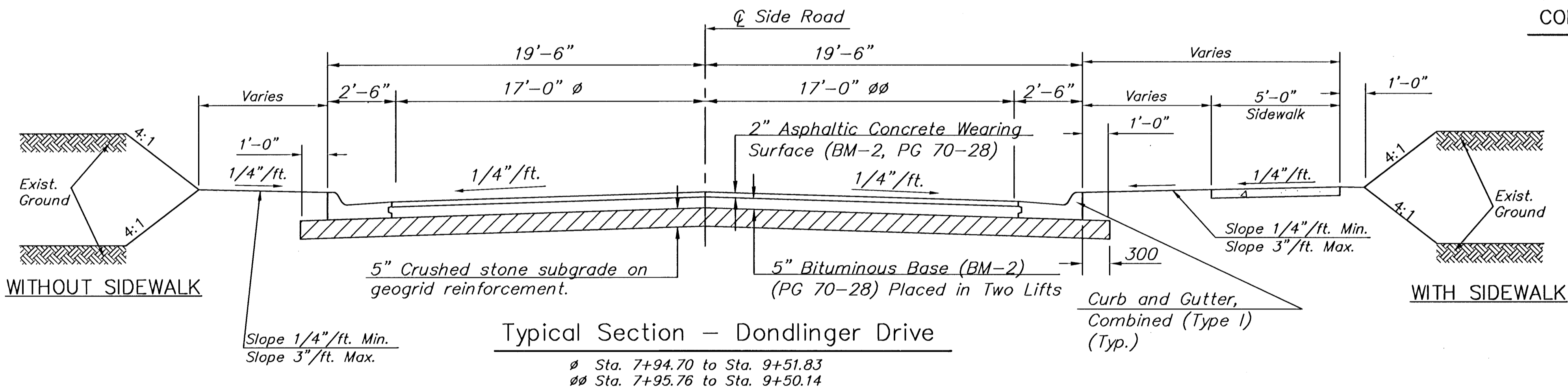
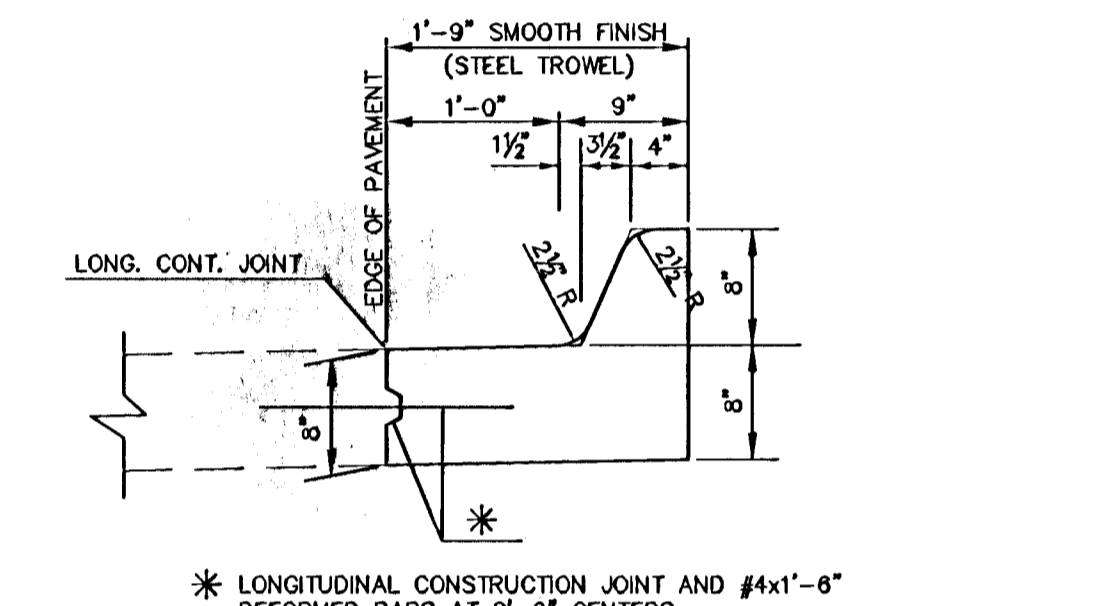
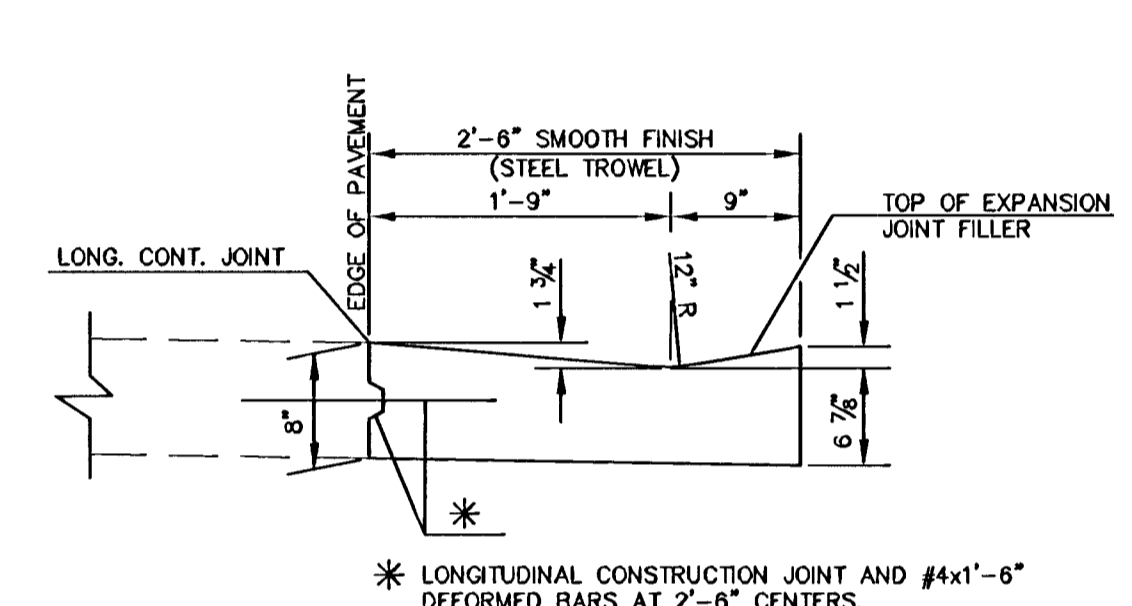
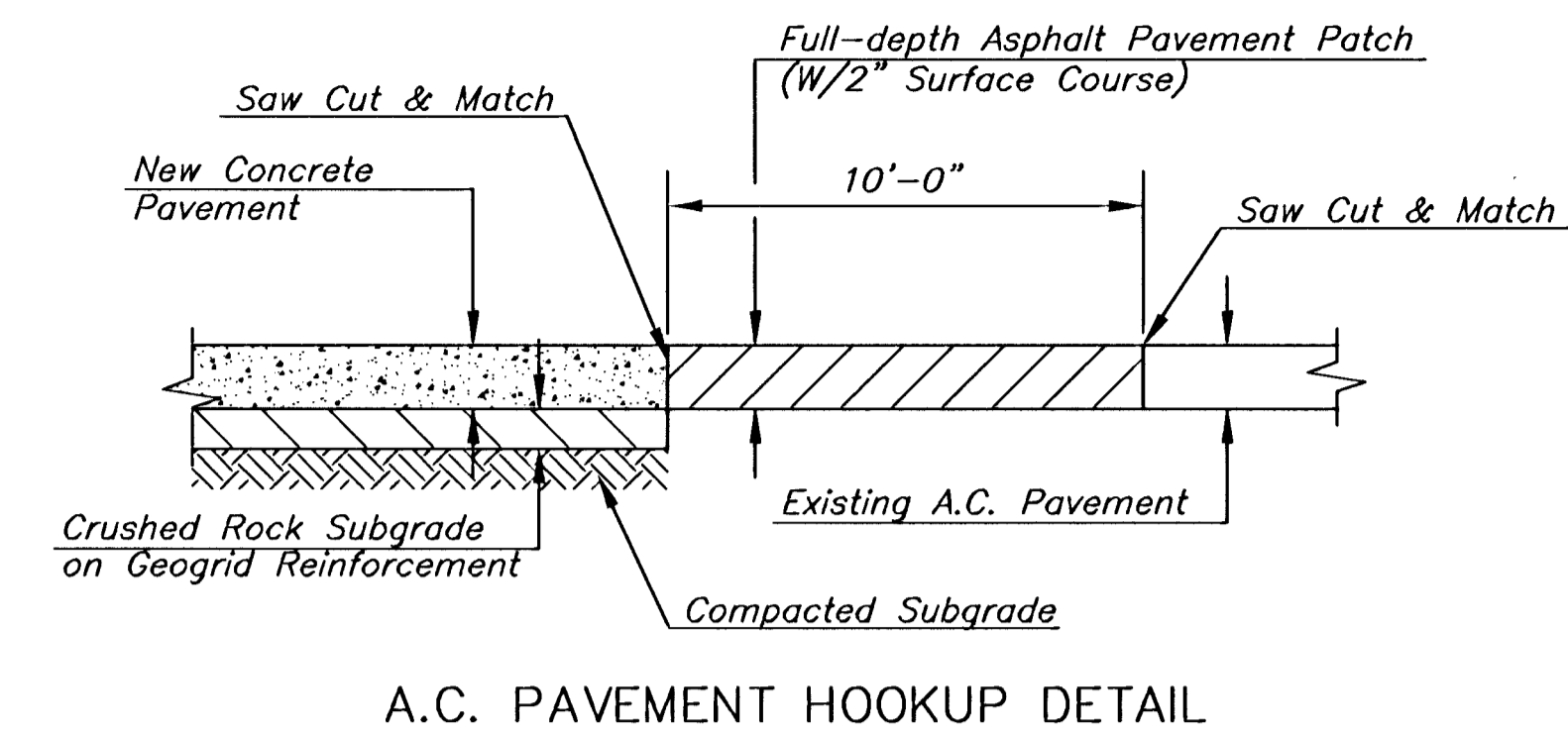
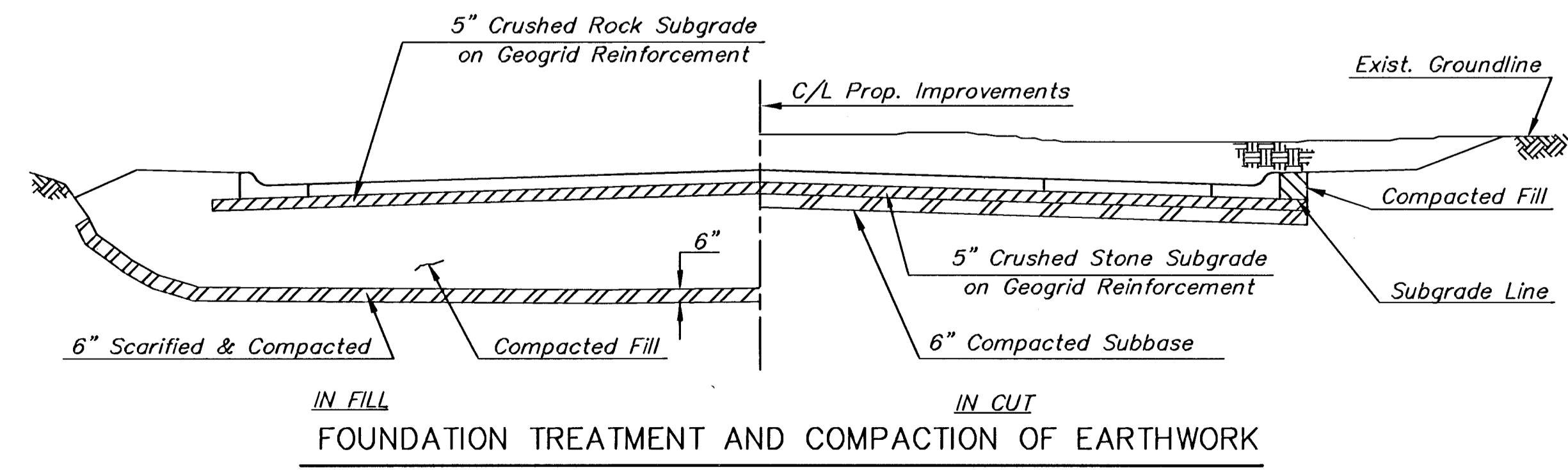


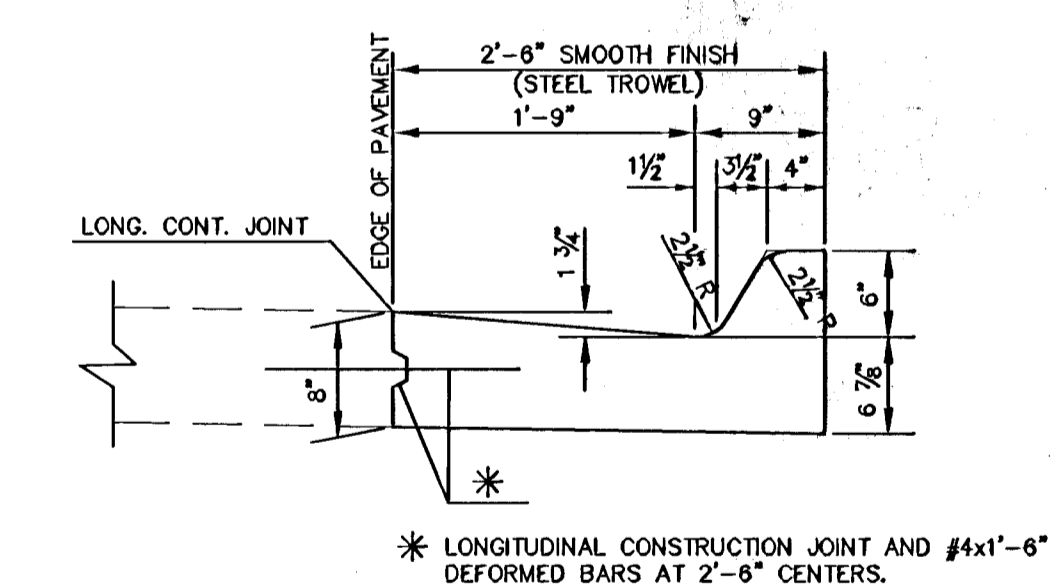
* Varies from 9'-6" at Sta. 6+85.94 to 17'-0" at Sta. 7+94.70, Lt.
 ** Varies from 10.57' at Sta. 6+94.60 to 17'-0" at Sta. 7+95.76, Rt.



∅ Sta. 7+94.70 to Sta. 9+51.83
 ∅∅ Sta. 7+95.76 to Sta. 9+50.14



NOTE: THIS CURB MAY BE CONSTRUCTED MONOLITHICALLY WITH THE CONCRETE PAVEMENT.



MKEC
 ENGINEERING CONSULTANTS
 411 N. WEBB ROAD
 WICHITA, KS. 67208
 316-694-9600

MCCORMICK AVENUE STREET IMPROVEMENTS
 PROJECT NAME

TYPICAL SECTIONS
 SHEET TITLE

DESIGN BY: JRA
 DRAWN BY: WNJ
 CHECKED BY: JRA

DATE: AUGUST 2005
 JOB NO.: 03245
 SHEET/OF: 3 / 111