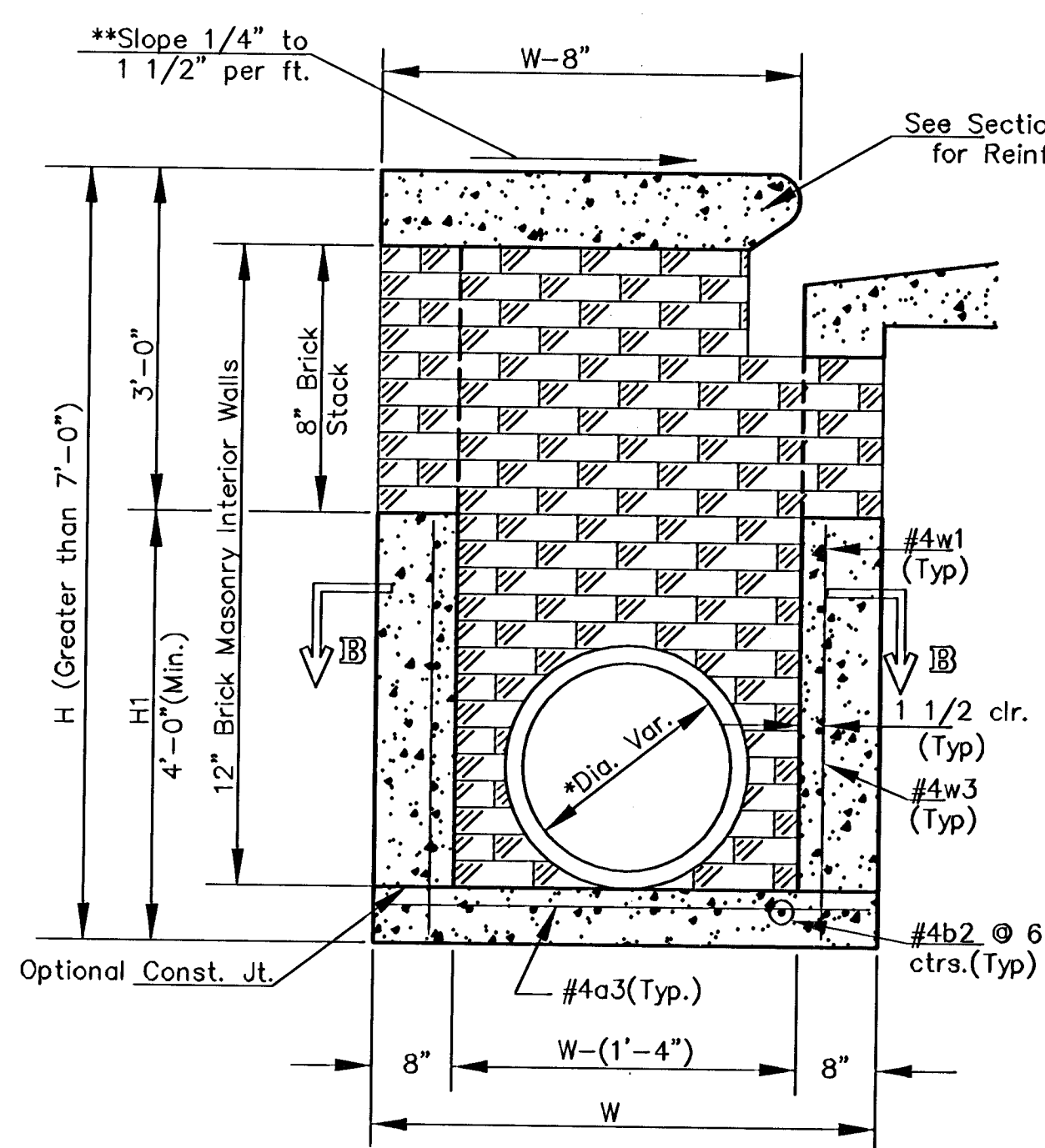


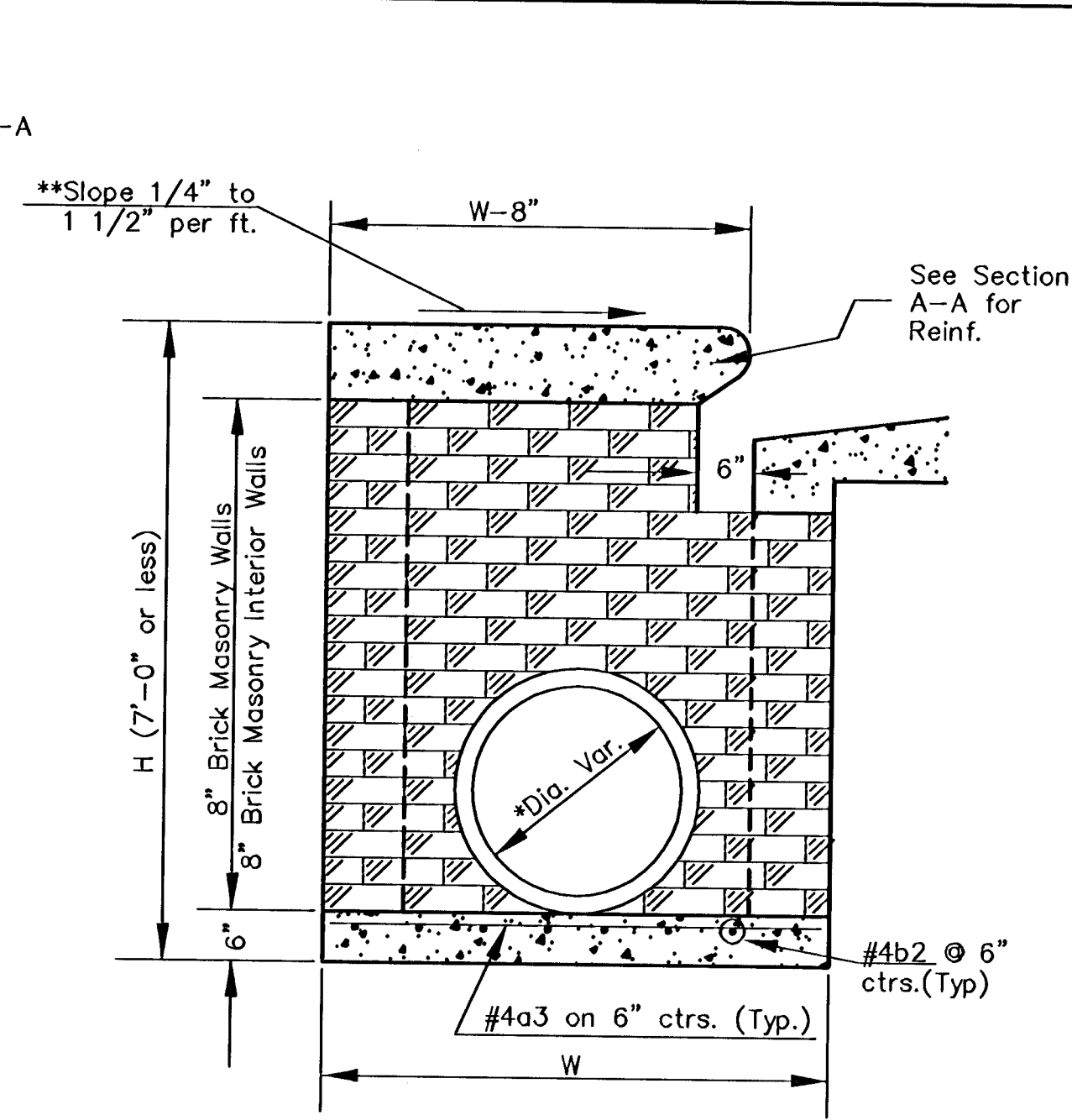
PLAN

NOTE: Expansion Joint only in Curb Area with Conc. Pavement.



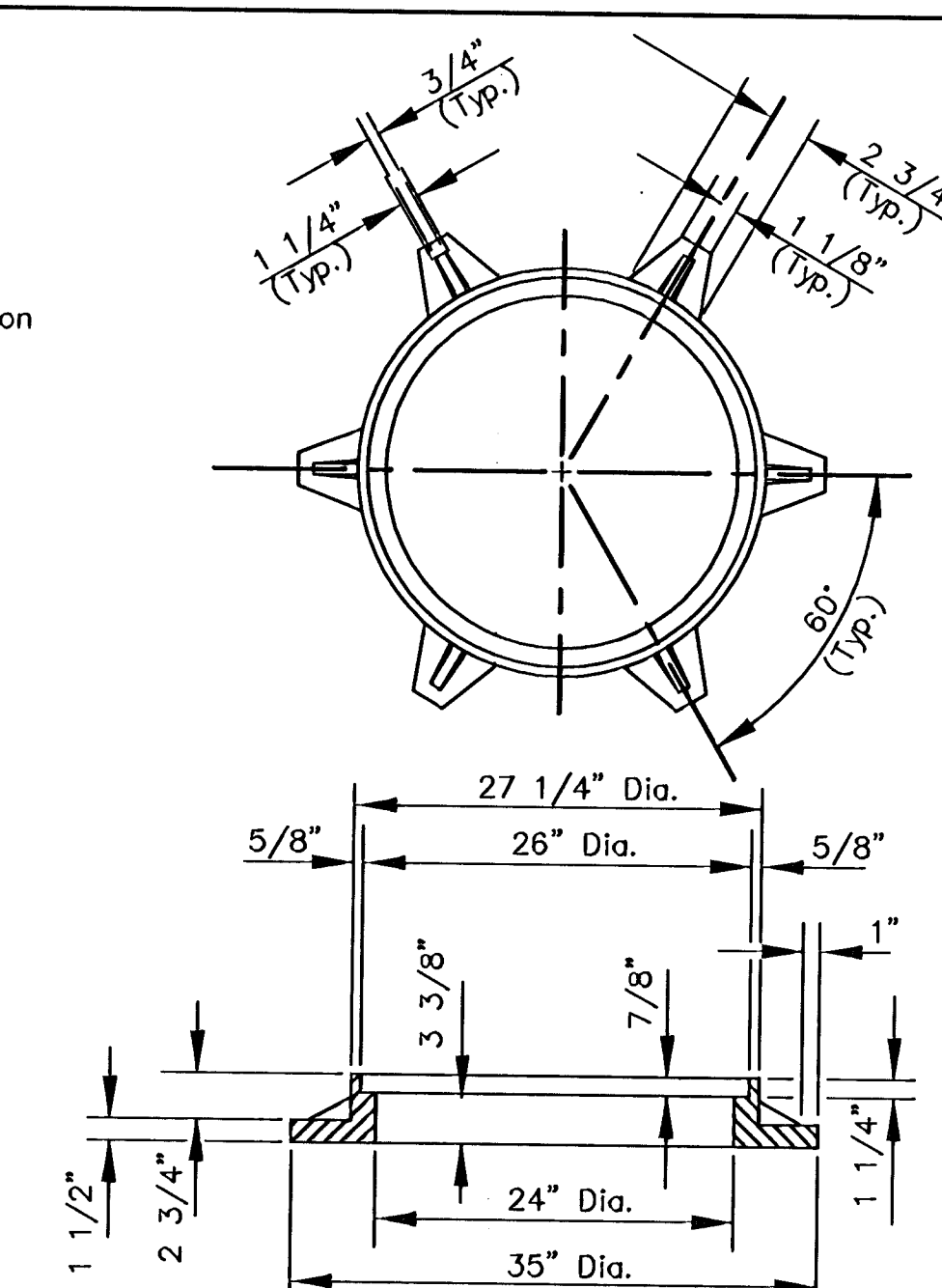
TYPICAL INLET SECTION AT INTERIOR WALL

(Reinforced Concrete Walls)



TYPICAL INLET SECTION AT INTERIOR WALL

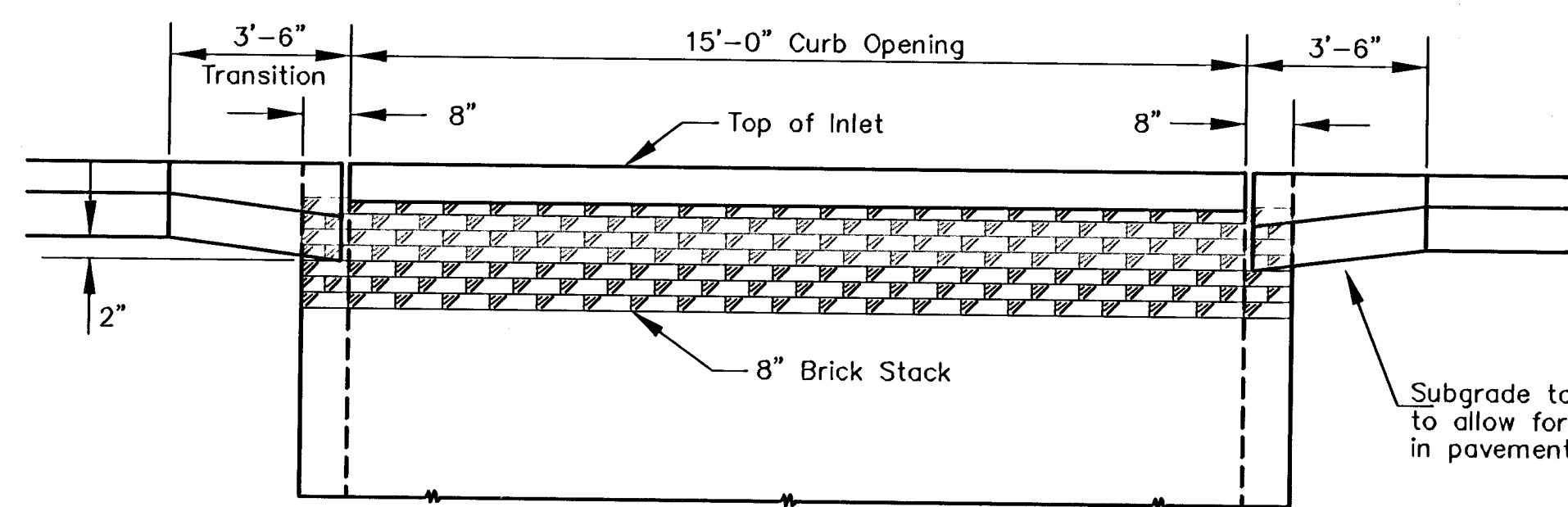
(Masonry Walls)



CAST IRON MANHOLE RING

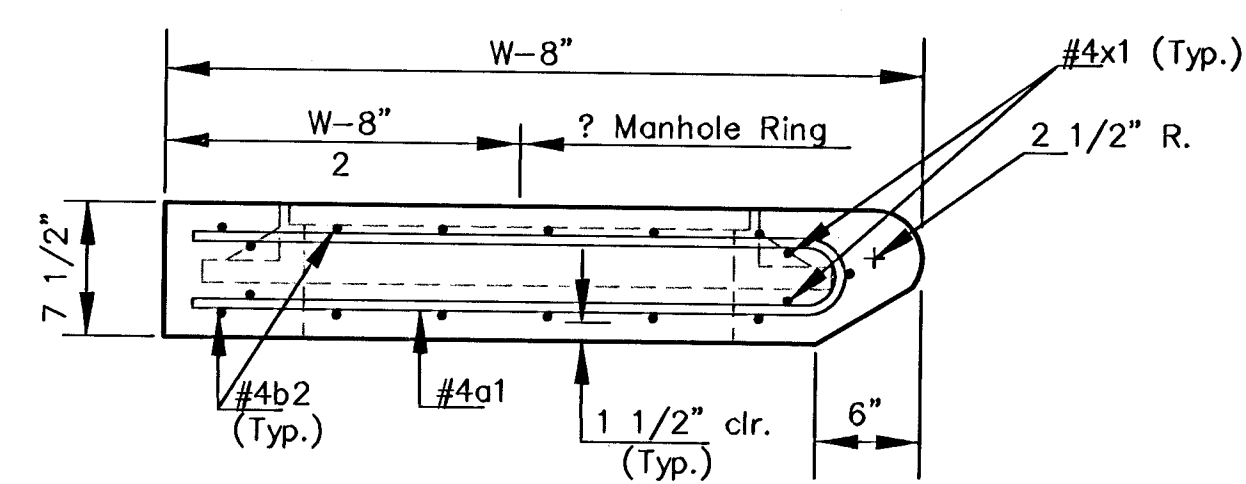
Wt. 180 Lbs.

See City of Wichita Standard Manhole Frame and Cover Detail Sheet for Cover Details to be used with Inlet Frame.

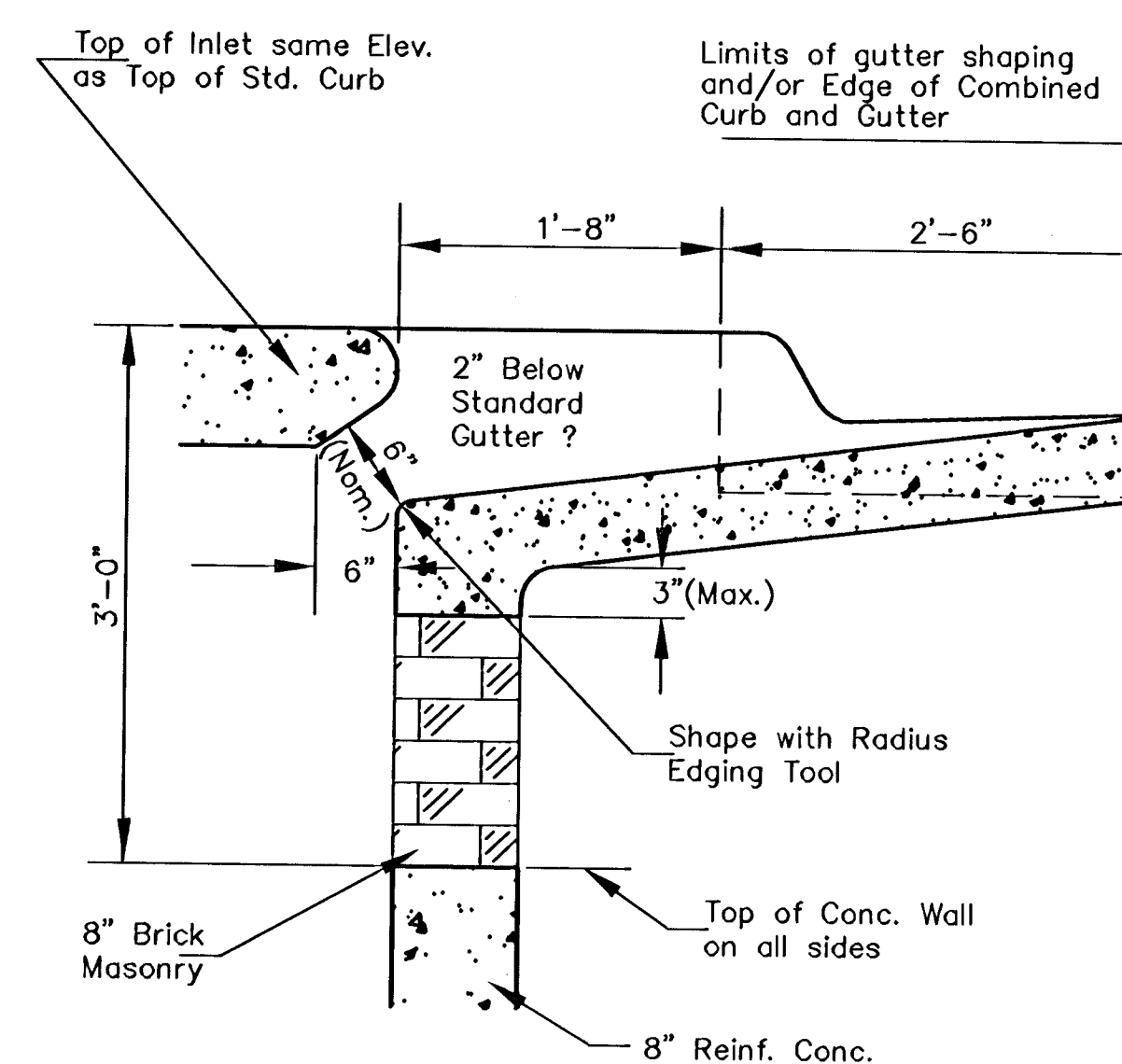


ELEVATION

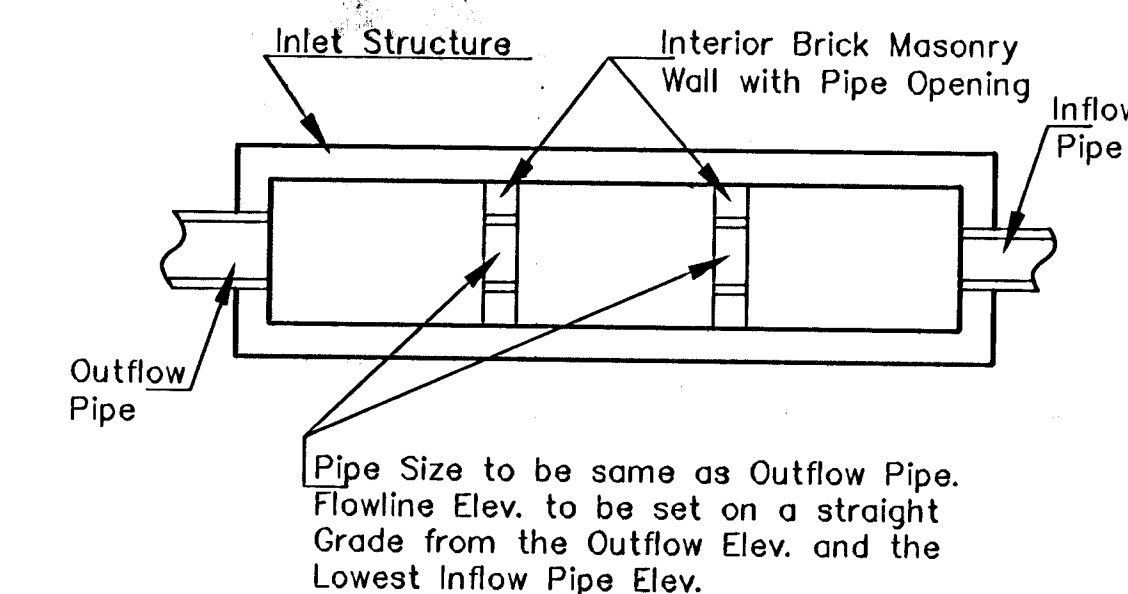
Subgrade to be shaped to allow for depression in pavement.



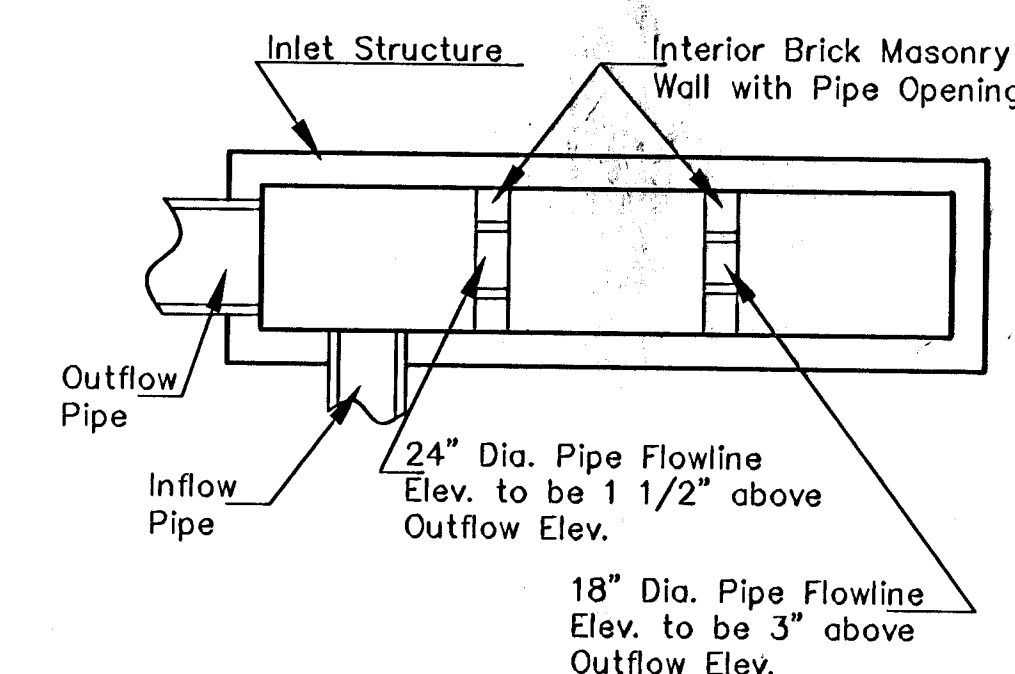
SECTION A-A



SECTION C-C

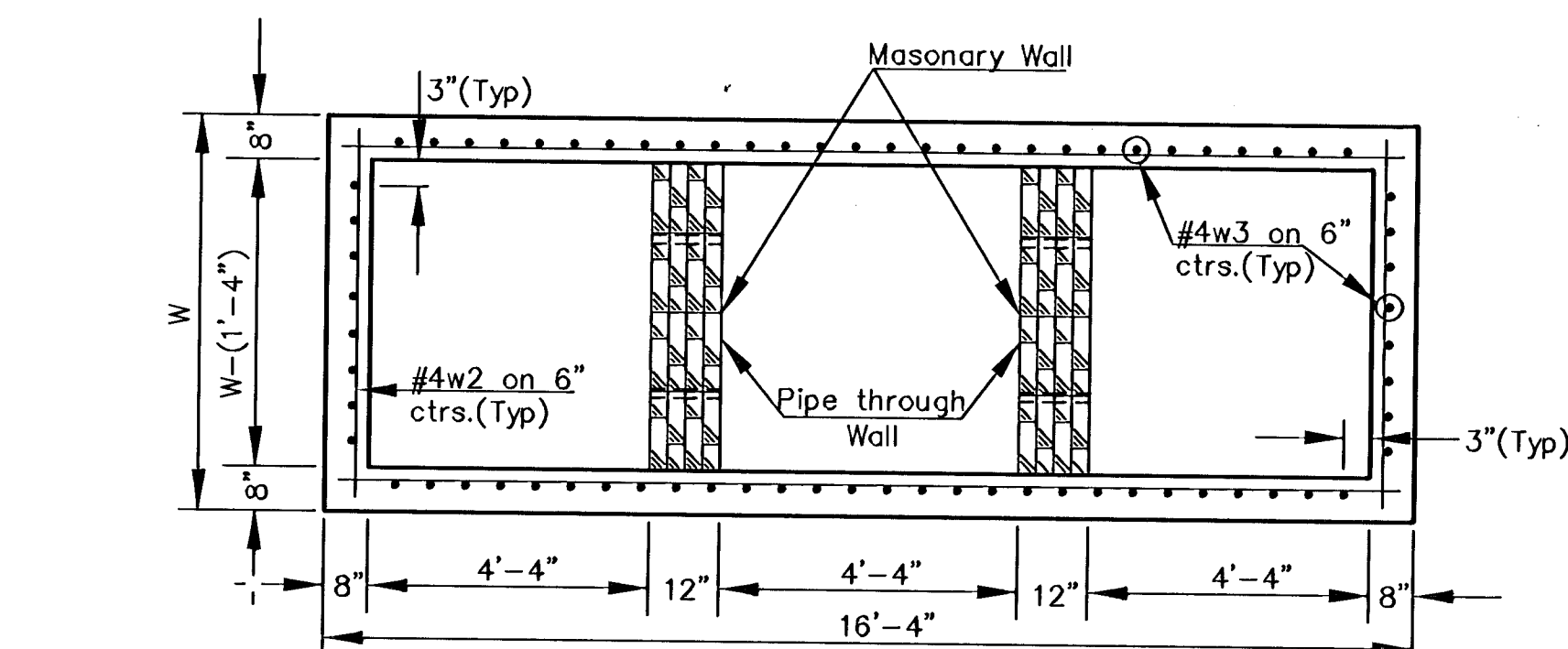


CASE I

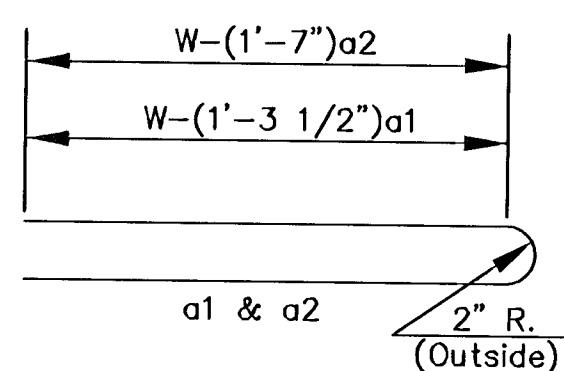


CASE II

NOTE: Interior Wall Pipe Size shall be as specified in the Inlet Construction Note on the Plan/Profile Sheets for those Cases not shown here.



SECTION B-B



BENDING DIAGRAM

GENERAL NOTES

- THE CONTRACTOR SHALL BE REQUIRED TO CONSTRUCT 8" BRICK MASONRY WALLS BETWEEN THE CONCRETE INLET BASE AND TOP WHEN W = 6'-4" OR LESS AND H = 7'-0" OR LESS. WHEN 'W' IS GREATER THAN 6'-4" AND 'H' IS LESS THAN 7'-0", THE OUTSIDE INLET WALLS BELOW THE BRICK STACK SHALL BE REINFORCED CONCRETE CONSTRUCTION.
- INLET INVERT SHALL BE SHAPED WITH 8 SACK SAND MIX CONCRETE TO CREATE FLOW CHANNELS AND TO INCREASE HYDRAULIC EFFICIENCY SUCH THAT THE INLET WILL BE SELF CLEANING BETWEEN ALL INLET AND/OR OUTLET PIPES.
- CONCRETE SHALL BE C.O.W. STANDARD PAVING MIX. ALL EXPOSED EDGES SHALL BE FINISHED WITH AN EDGING TOOL. REINFORCING BARS SHALL BE FIELD BENT OR CUT TO CLEAR PIPES AND INLET RING. ALL BARS ARE #4 BARS AT 6" SPACING AND SHALL HAVE A MINIMUM CLEARANCE OF 1 1/2" UNLESS OTHERWISE NOTED.
- CONCRETE TOPS TO BE INSTALLED ON THIN MORTAR CUSHION TO INSURE FULL SUPPORT ALONG BRICK WALLS. CONCRETE TOPS MAY BE CAST IN PLACE OR PRECAST.
- THE ENDS OF ALL PIPES INSTALLED IN INLETS SHALL BE CUT OFF FLUSH WITH THE INSIDE FACE OF THE INLET WALL.

* An Interior Wall Opening shall be provided by means of a section of Reinforced Conc. Pipe. See CASE I and CASE II.
** Slope of Inlet Top to match Sidewalk or Parking Slope within the Limits indicated.

PRECAST SLAB AND FLOOR REINFORCING											
Mark	Size	W=4'-4"		W=5'-4"		W=6'-4"		W=7'-4"		W=8'-4"	
		No.	Length	No.	Length	No.	Length	No.	Length	No.	Length
?a1	#4	20	6'-7"	20	8'-7"	20	10'-7"	20	12'-7"	20	14'-7"
a2	#4	4	6'-0"	4	8'-0"	4	10'-0"	4	12'-0"	4	14'-0"
a3	#4	33	4'-1"	33	5'-1"	33	6'-1"	33	7'-1"	33	8'-1"
b1	#4	1	14'-9"	1	14'-9"	1	14'-9"	1	14'-9"	1	14'-9"
?b2	#4	23	16'-1"	29	16'-1"	35	16'-1"	41	16'-1"	47	16'-1"
w3	#4	24	3'-10"	24	4'-2"	24	4'-6"	24	4'-10"	24	5'-2"

WALL REINFORCING											
Mark	Size	W=4'-4"		W=5'-4"		W=6'-4"		W=7'-4"		W=8'-4"	
		No.	Length	No.	Length	No.	Length	No.	Length	No.	Length
w1	#4	1	16'-1"	1	16'-1"	1	16'-1"	1	16'-1"	1	16'-1"
w2	#4	1	4'-1"	1	5'-1"	1	6'-1"	1	7'-1"	1	8'-1"
w3	#4	72	2	76	2	80	2	84	2	88	2

? Field bend or cut Reinforcing as required for clearance.
① 4(HI-12"); (HI-12") Round down to nearest 0.5'.
② HI-3"

STANDARD CURB INLET PRECAST TOPS			
W	PRE-CAST TOP SIZE	SIDE OR INTERIOR WALL PIPE SIZE	CU. YD. CONC.
4'-4"	3'-8"x16'-4"x7-1/2"	21" & Smaller	1.20±
5'-4"	4'-8"x16'-4"x7-1/2"	24" & 30"	1.58±
6'-4"	5'-8"x16'-4"x7-1/2"	36" & 42"	1.95±
7'-4"	6'-8"x16'-4"x7-1/2"	48" & 54"	2.33±
8'-4"	7'-8"x16'-4"x7-1/2"	60" & 66"	2.70±

J:\Civil\03245\dwg\Details\Inlet_type1a-3.dwg 1/21/2005 2:12:51 PM CST

**STANDARD TYPE 1A
CURB INLET
INLET OPENING
6" x 15'-0"**

JIM ARMOUR, P.E. - CITY ENGINEER

PROJECT NUMBER 472-83831	INDEX CODE 706866
DATE	

SHEET 29 OF 111