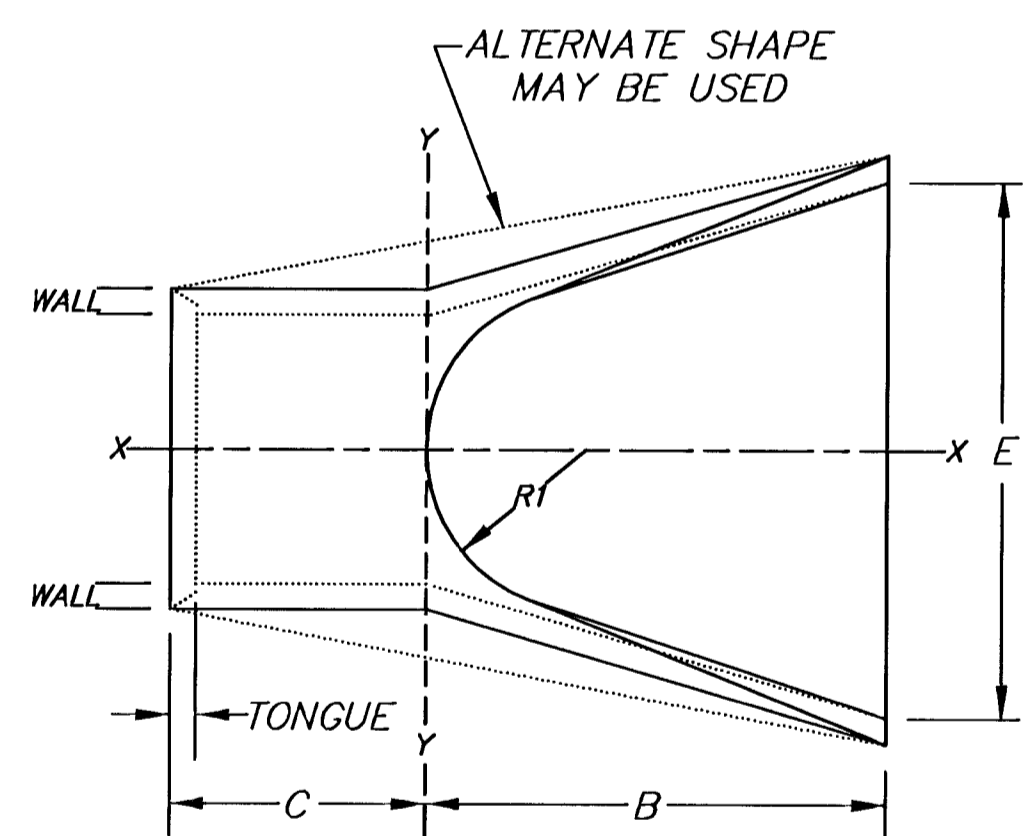
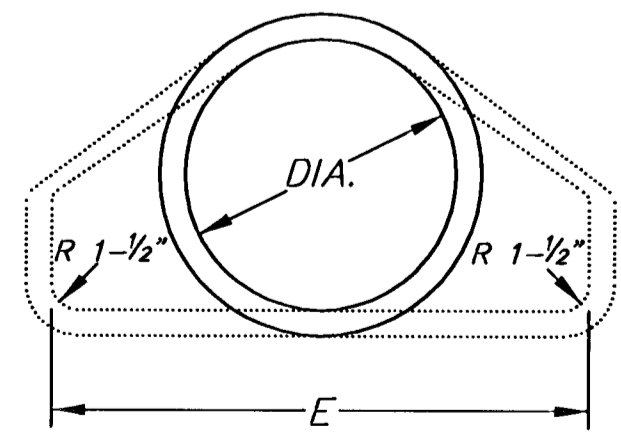


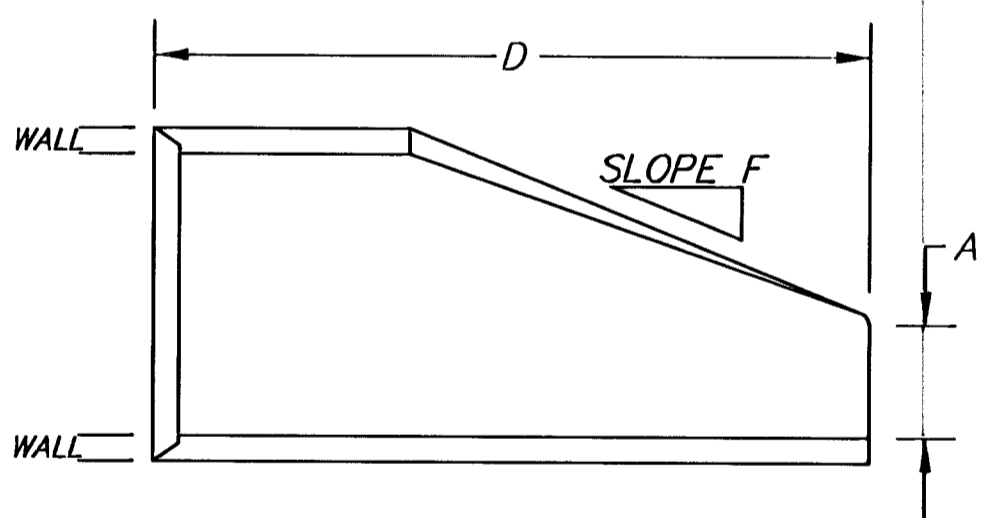
PLAN



PIPE PLAN



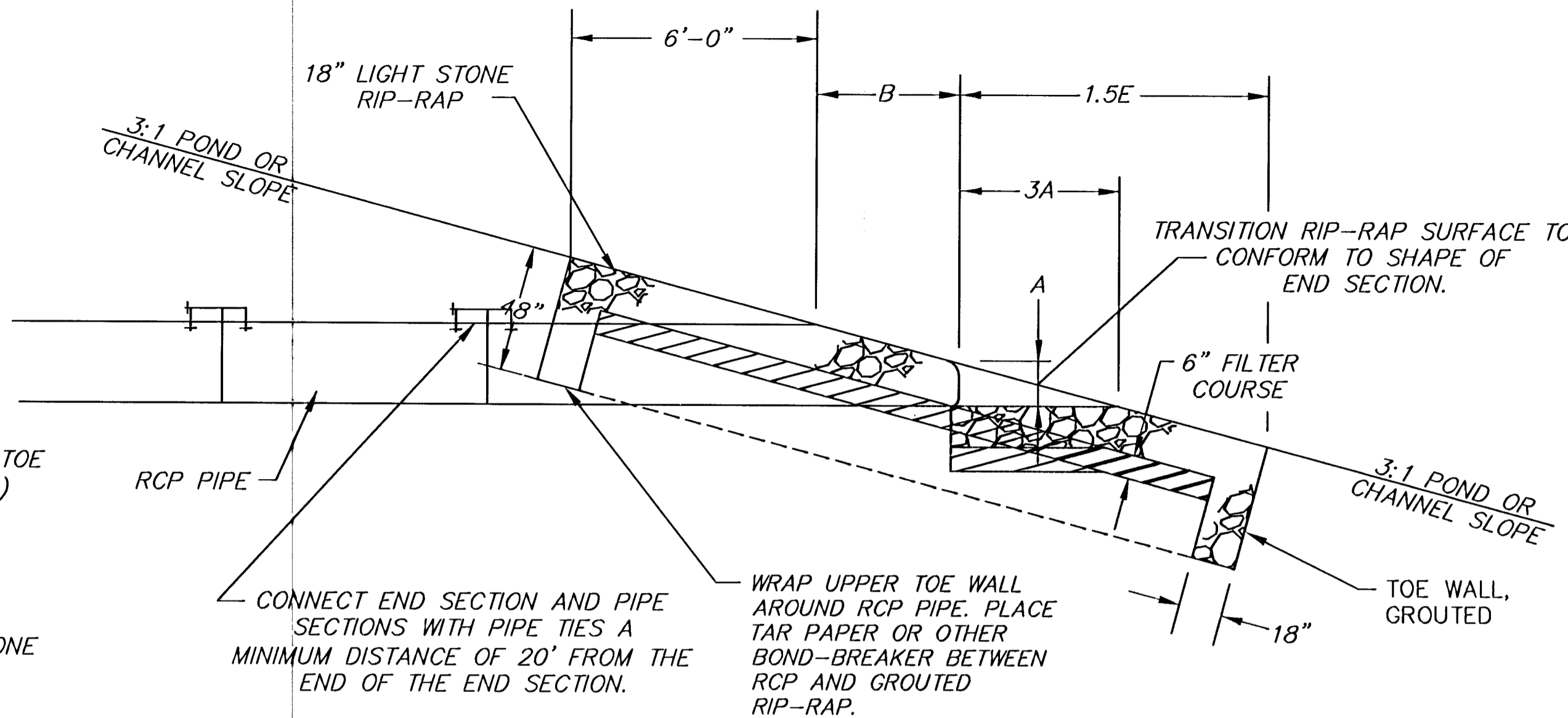
SECTION Y-Y



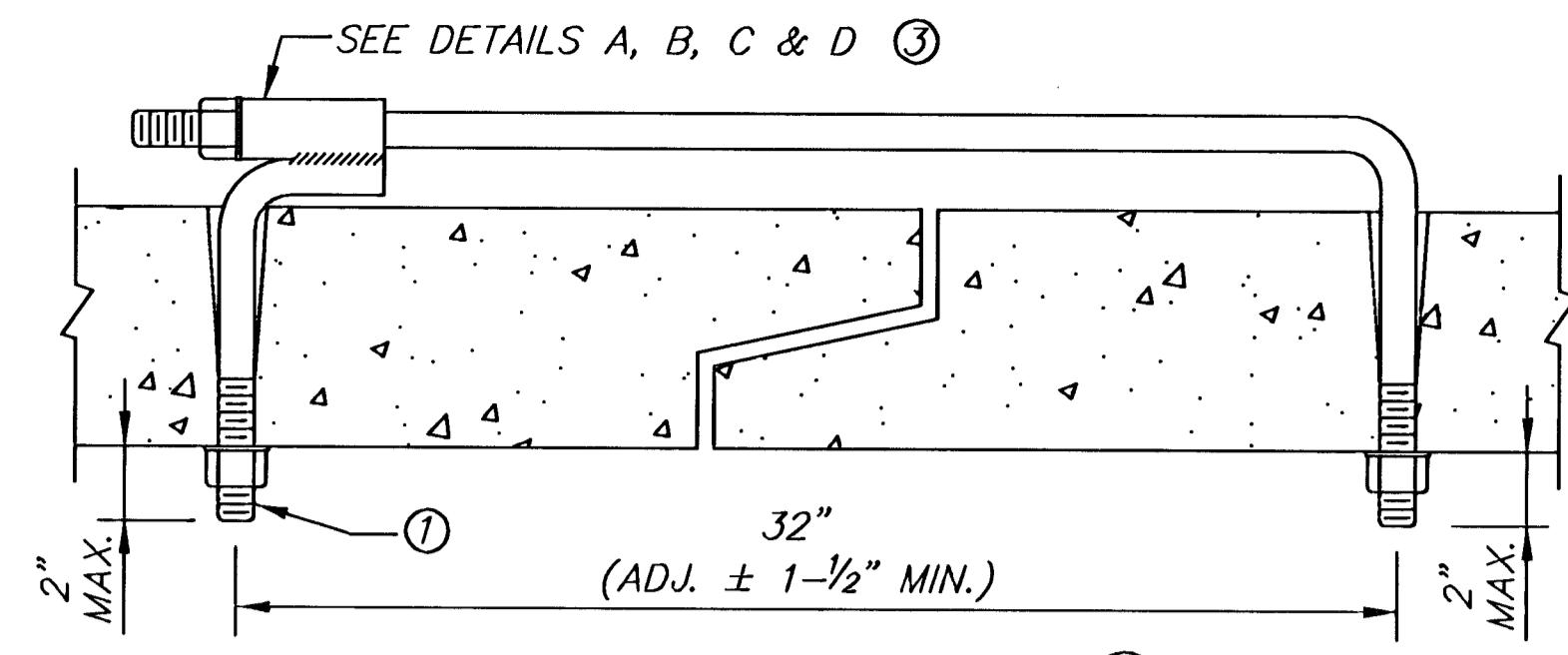
SECTION X-X

DIAM.	A	B	C	D	E	F	R1	TONGUE	WALL
12"	4"	2' 0"	4' 0-7/8"	6' 0-7/8"	2' 0"	3:1	9"	1-1/2"	2"
15"	6"	2' 3"	3' 10"	6' 1"	2' 6"	3:1	11"	2"	2 1/4"
18"	9"	2' 3"	3' 10"	6' 1"	3' 0"	3:1	12"	2-1/2"	2 1/2"
24"	9-1/2"	3' 7-1/2"	2' 6"	6' 1-1/2"	4' 0"	3:1	14"	2-1/2"	3"
30"	1' 0"	4' 6"	1' 7-3/4"	6' 1-3/4"	5' 0"	3:1	15"	3"	3-1/2"
36"	1' 3"	5' 3"	1' 10-3/4"	8' 1-3/4"	6' 0"	3:1	20"	3-1/2"	4"
42"	1' 9"	5' 3"	2'-11"	8' 2"	6' 6"	3:1	22"	3-3/4"	4-1/2"
48"	2' 0"	6' 0"	2' 2"	8' 2"	7' 0"	3:1	22"	4-1/4"	5"
54"	2' 3"	5' 5"	2' 11"	8' 4"	7' 6"	3:1	24"	4-3/4"	5-1/2"
60"	2' 6"	5' 0"	3' 3"	8' 3"	8' 0"	2.4:1	24"	5"	6"
66"	2' 0"	6' 6"	1' 9"	8' 3"	8' 6"	2:1	24"	5-1/2"	7"
72"	2' 0"	6' 6"	1' 9"	8' 3"	9' 0"	2:1	24"	6"	7-1/2"

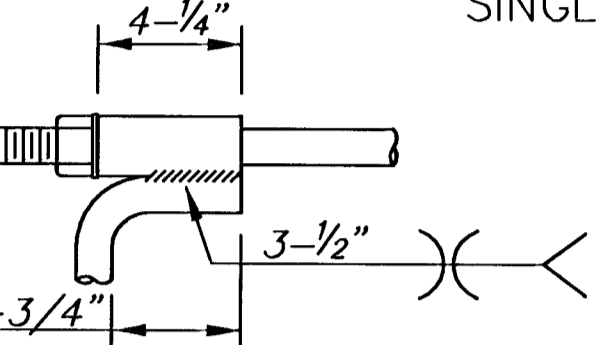
TONGUE LENGTHS BASED ON QUINN STANDARD



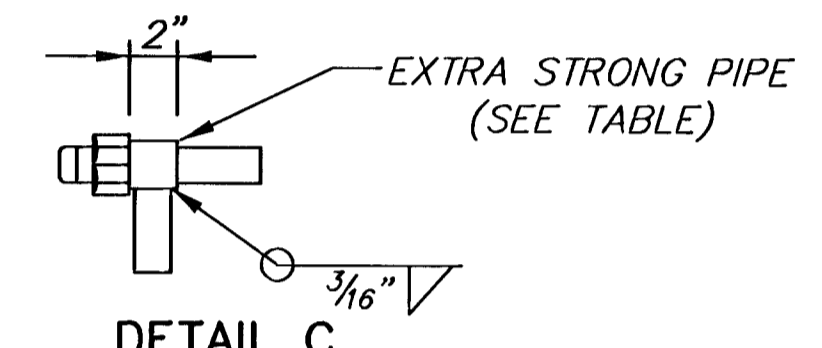
SECTION



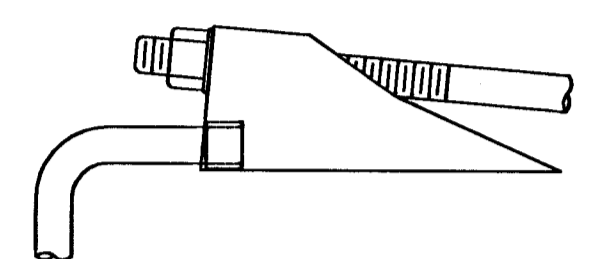
DETAIL A



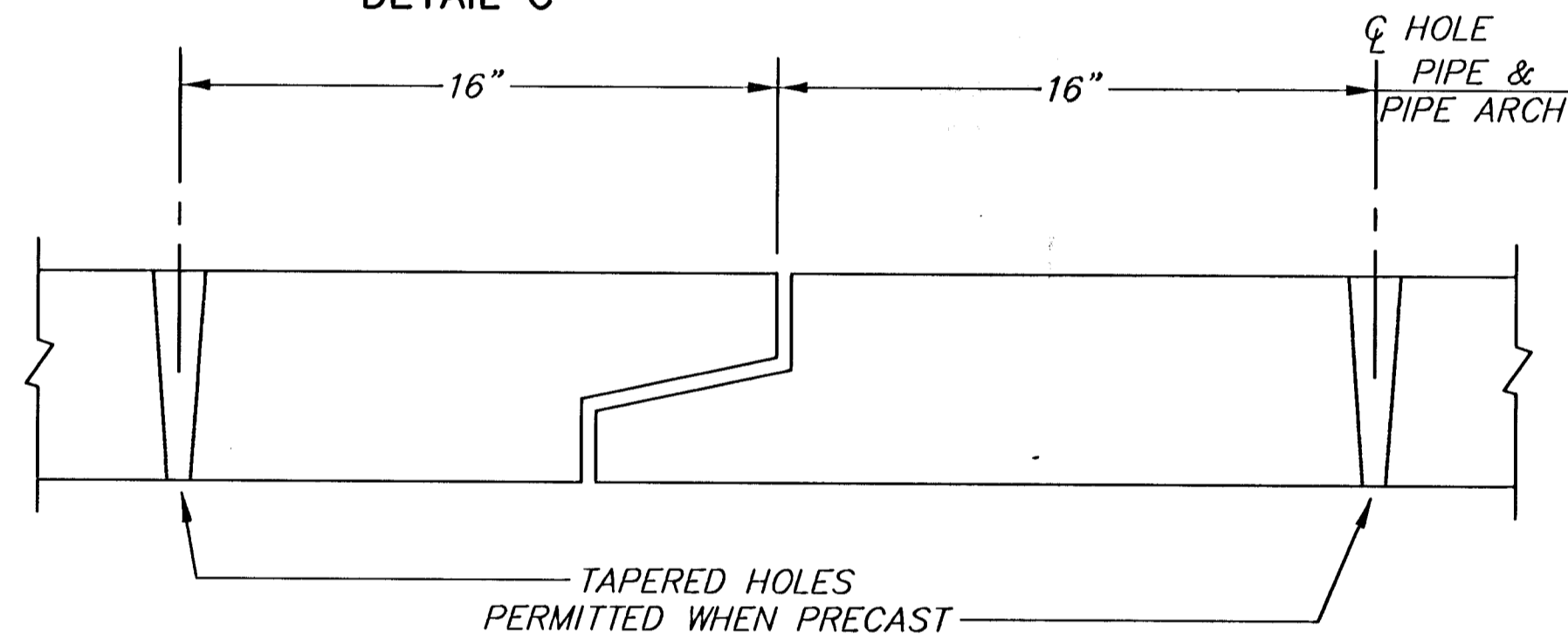
DETAIL B



DETAIL C



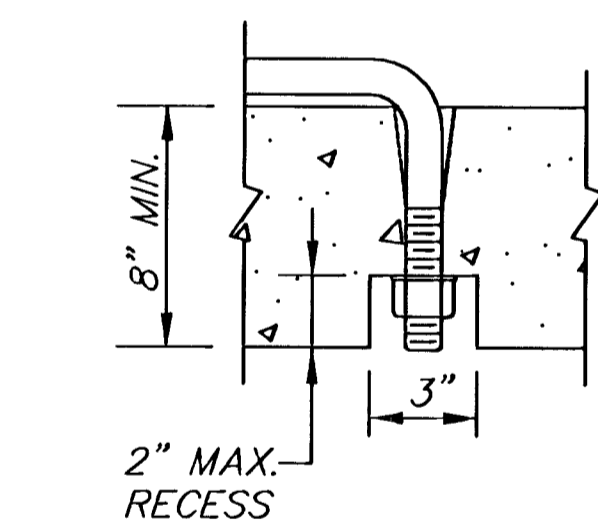
DETAIL D



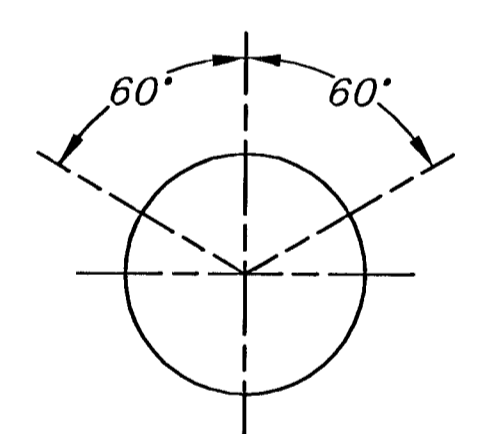
HOLES SHALL BE CAST OR DRILLED 16" FROM CENTERLINE OF JOINTS FOR BOX CULVERTS, AS SHOWN ABOVE, UNLESS FORMS ARE SET UP FOR 16" SPACING FROM OUTSIDE OF JOINT.

PIPE SIZE (INCHES)	ROD THREAD DIA.	ROD THREAD DIA.	EXTRA STRONG PIPE INSIDE DIA.
12 - 27	5/8"	5/8"	3/4"
30 - 66	3/4"	3/4"	1"
72 - 108	1"	1"	1-1/4"

PIPE SIZE LISTED IS INSIDE DIA. OF ROUND PIPE OR EQUIVALENT DIA. OF PIPE ARCH.



OPTIONAL RECESS DETAIL ②



ROUND PIPE

NOTES:
 ALL WORK ASSOCIATED WITH THE CONSTRUCTION OF RCP OUTFALL IN ACCORDANCE WITH THIS DETAIL INCLUDING RIP-RAP, END SECTIONS, TIES, GROUT AND FILTER COURSE SHALL BE SUBSIDIARY TO "RCP OUTFALL, X".

TIE RODS SHALL BE GALVANIZED OR POWER WASHED AND DIPPED IN AN APPROVED ZINC RICH EPOXY PRIME PAINT AFTER FABRICATION.

TIES TO BE USED ONLY TO HOLD PIPE SECTIONS TOGETHER, NOT FOR PULLING SECTIONS TIGHT.

- ① TIE ROD THREADS SHALL PROJECT TO THE INSIDE OF PIPE EXCEPT AS NOTED IN PLANS.
- ② TIE ROD THREADS SHALL BE RECESSED WHEN PIPE IS USED AS CATTLE PASS OR PEDESTRIAN TRAIL.
- ③ TIES MAY BE COMPLETED WITH U-BOLT TIES, SINGLE CONNECTION TIES (AS SHOWN) OR DOUBLE CONNECTION TIES.

411 N. WEBB ROAD
WICHITA, KS. 67206
316-694-9600

MCCORMICK AVENUE STREET IMPROVEMENTS
PROJECT NAME

RCP OUTFALL DETAIL
SHEET TITLE

JRA DESIGN BY: KDD DRAWN BY: JRA CHECKED BY:
 AUGUST 2005 DATE: 03245 JOB NO.: 37/111 SHEET/OF