

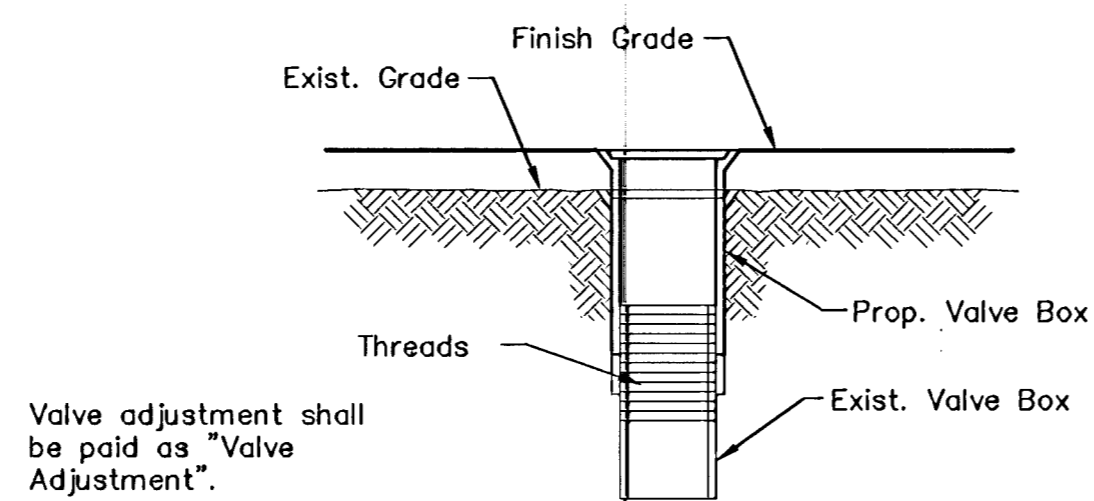
DATE	
BY	
REFERENCES NOTED	
REFERENCES CHECKED	

NOTE:

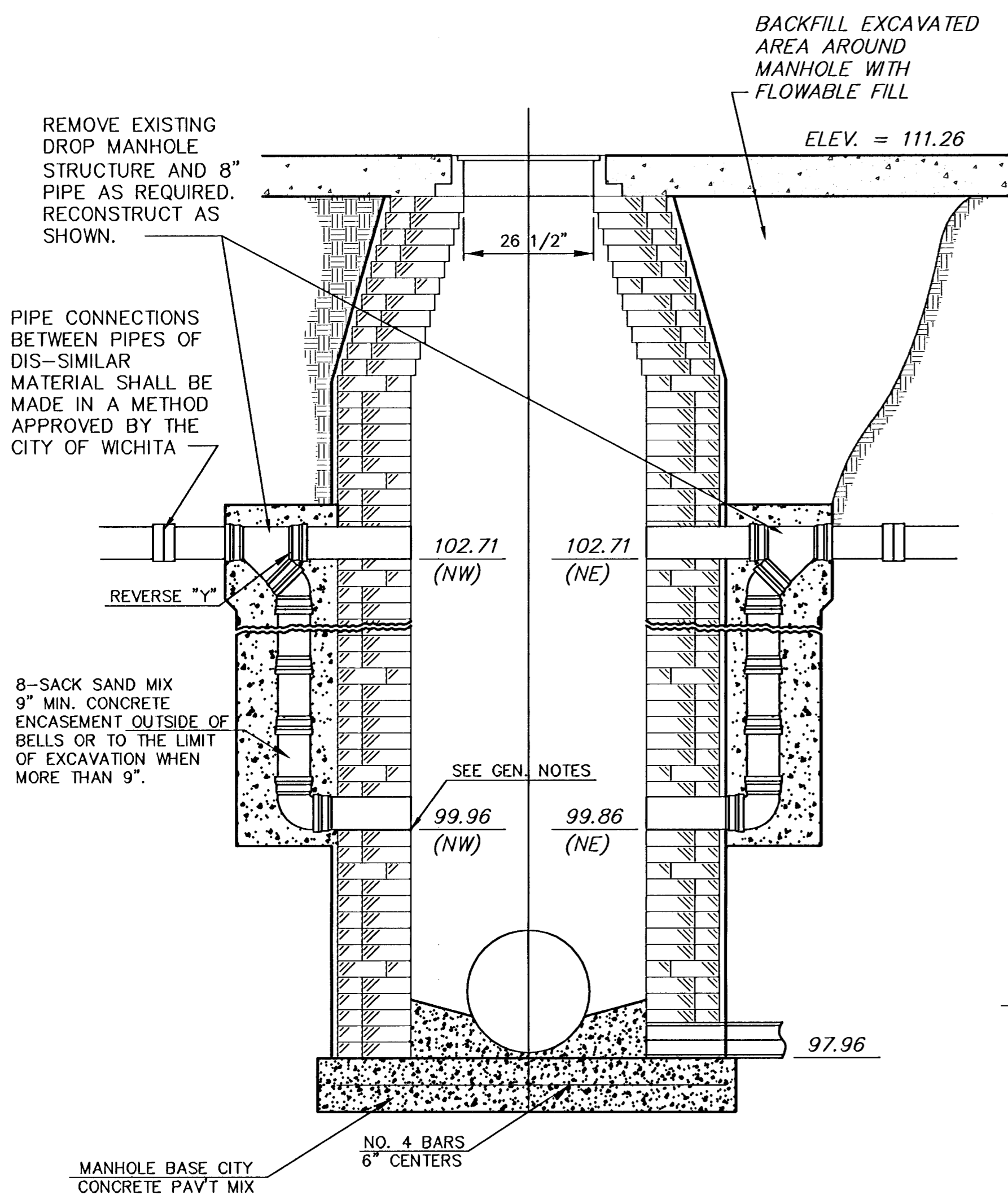
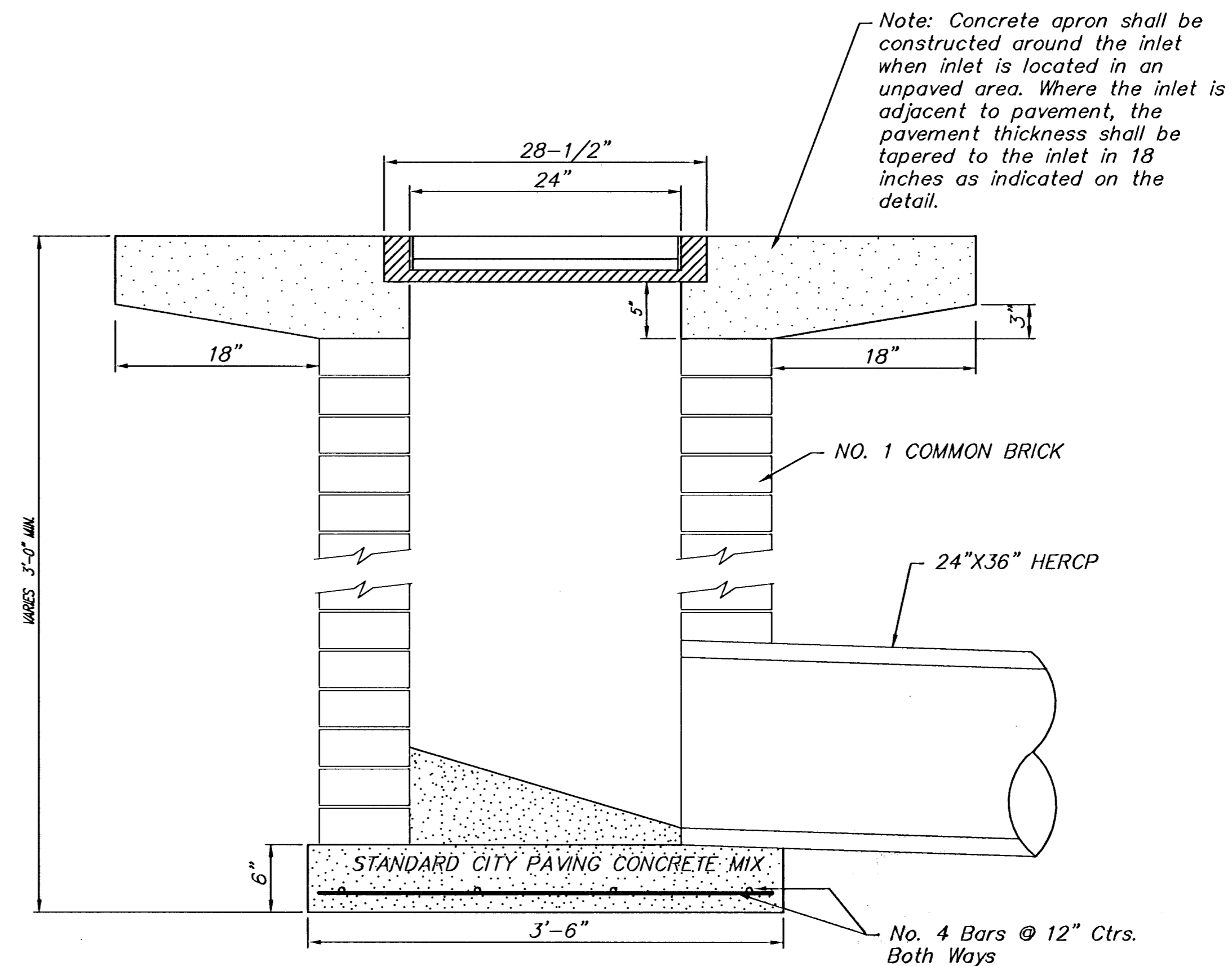
WATERSTOP GASKETS SHALL BE USED WITH P.V.C. AND A.B.S. COMPOSITE PIPE. THE NEW PIPE SHALL BE GROUTED INTO THE OPENING USING AN APPROVED NONSHRINK GROUT FOR THE FULL MANHOLE WALL THICKNESS. THE EXTERIOR OF THE COMPLETED CONNECTION SHALL BE SEALED WITH AN APPROVED BITUMINOUS COATING SUCH THAT THE CONNECTION WILL BE WATER TIGHT.

CONTRACTOR TO CONFIRM ELEVATIONS OF INVERTS PRIOR TO CONSTRUCTION.

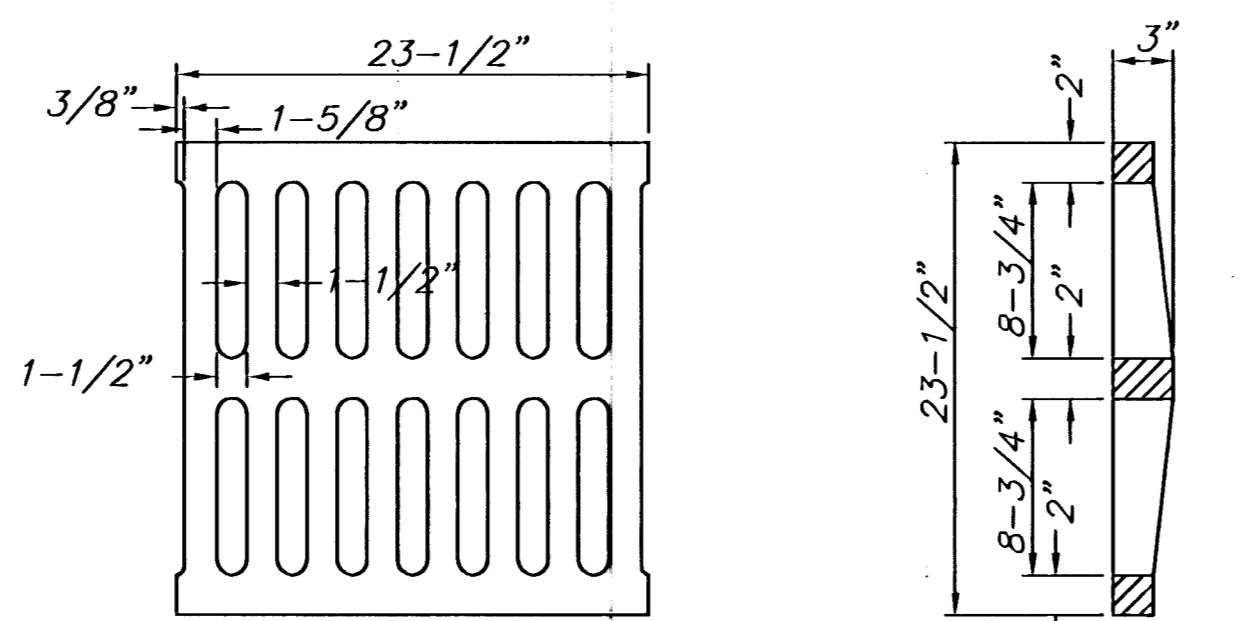
CONTRACTOR SHALL REPLACE LOOSE AND MISSING CEMENT MORTAR ON ALL EXPOSED SURFACES OF THE EXISTING MANHOLE.



WATER VALVE BOX ADJUSTMENT DETAIL

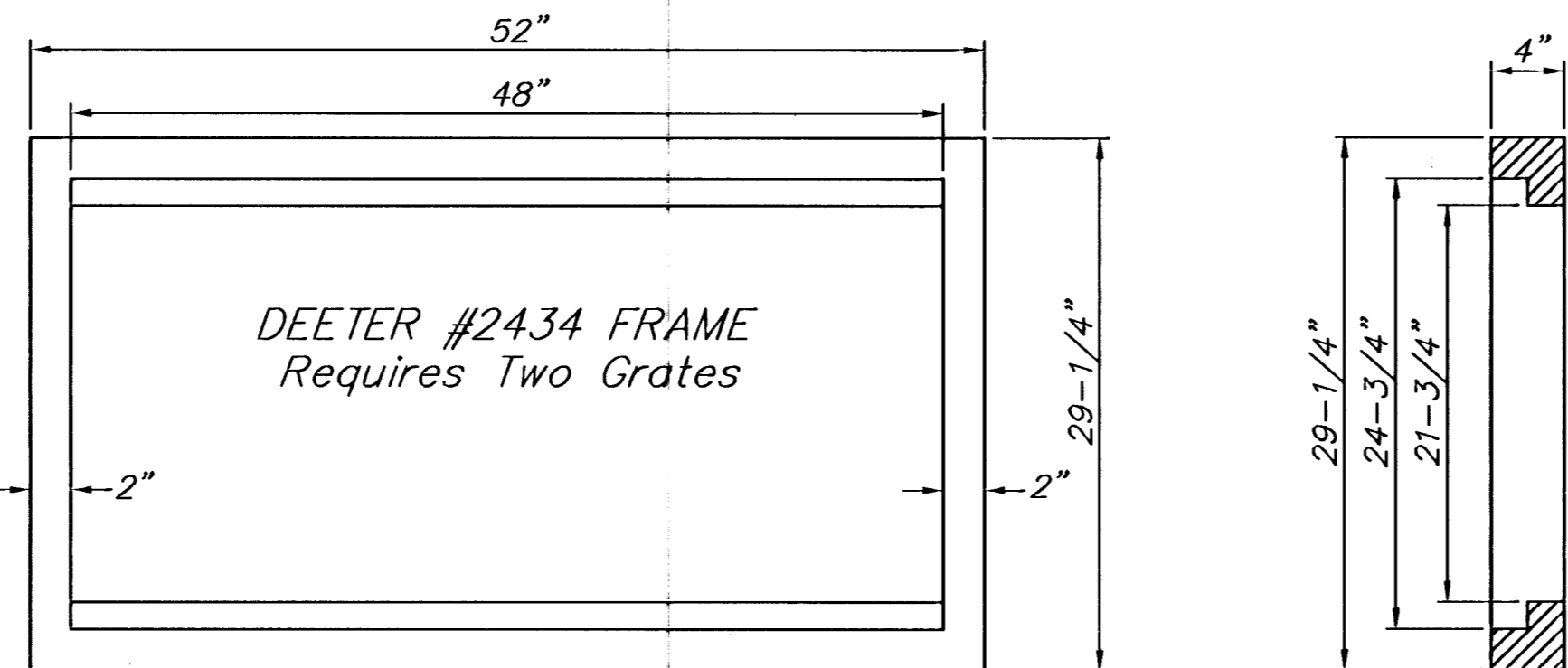


DETAIL OF OUTSIDE DROP CONSTRUCTED ON EXISTING MANHOLE



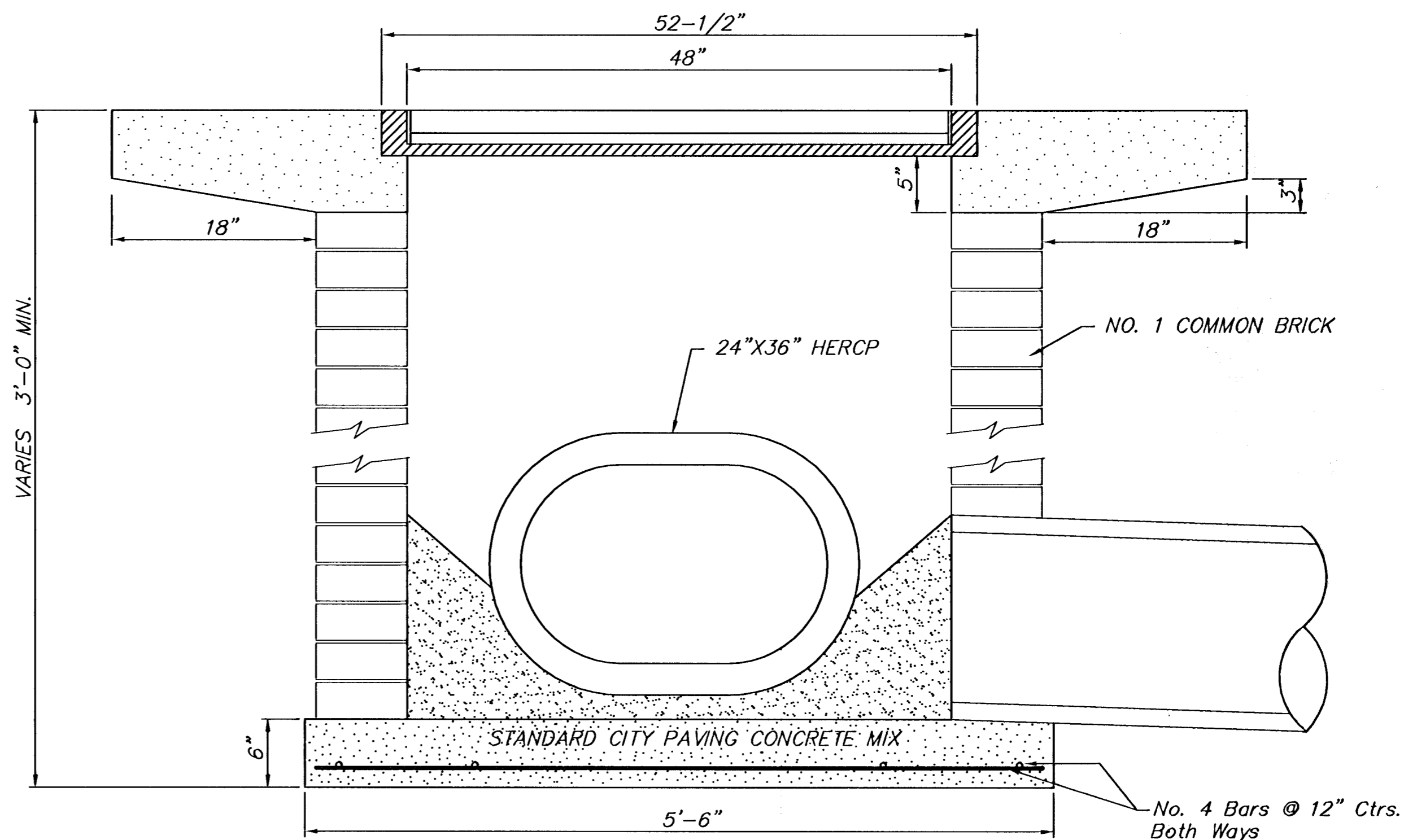
**DEETER #2433 GRATE
24" x 24" Frame and Grate Detail**

NOTE: Grates shall be imprinted on the top surface with "CITY OF WICHITA" using letters at least 1" in height. Other marking methods may be approved by the engineer.



Double 24" x 24" Frame Detail

2' x 4' DROP INLET



J:\CIV\03245\dwg\pave\03245e10.dwg 1/18/2005 10:03 PM CST

 MKEC ENGINEERING CONSULTANTS 411 N. WEBB ROAD WICHITA, KS. 67206 316-684-9600	McCORMICK AVENUE STREET IMPROVEMENTS PROJECT NAME		
	MISCELLANEOUS DETAILS SHEET TITLE		
	JRA DESIGN BY.	MKEC DRAWN BY.	JRA CHECKED BY.
	AUGUST 2005 DATE	03245 JOB NO.	40 / 111 SHEET/OF