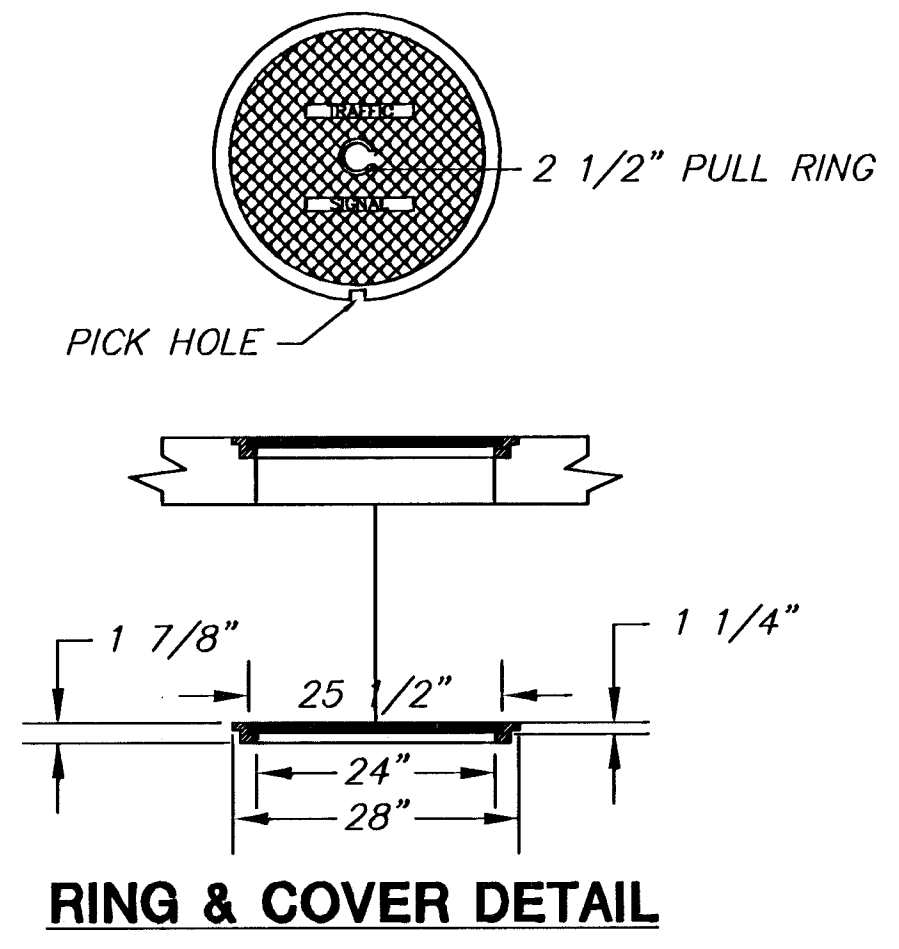
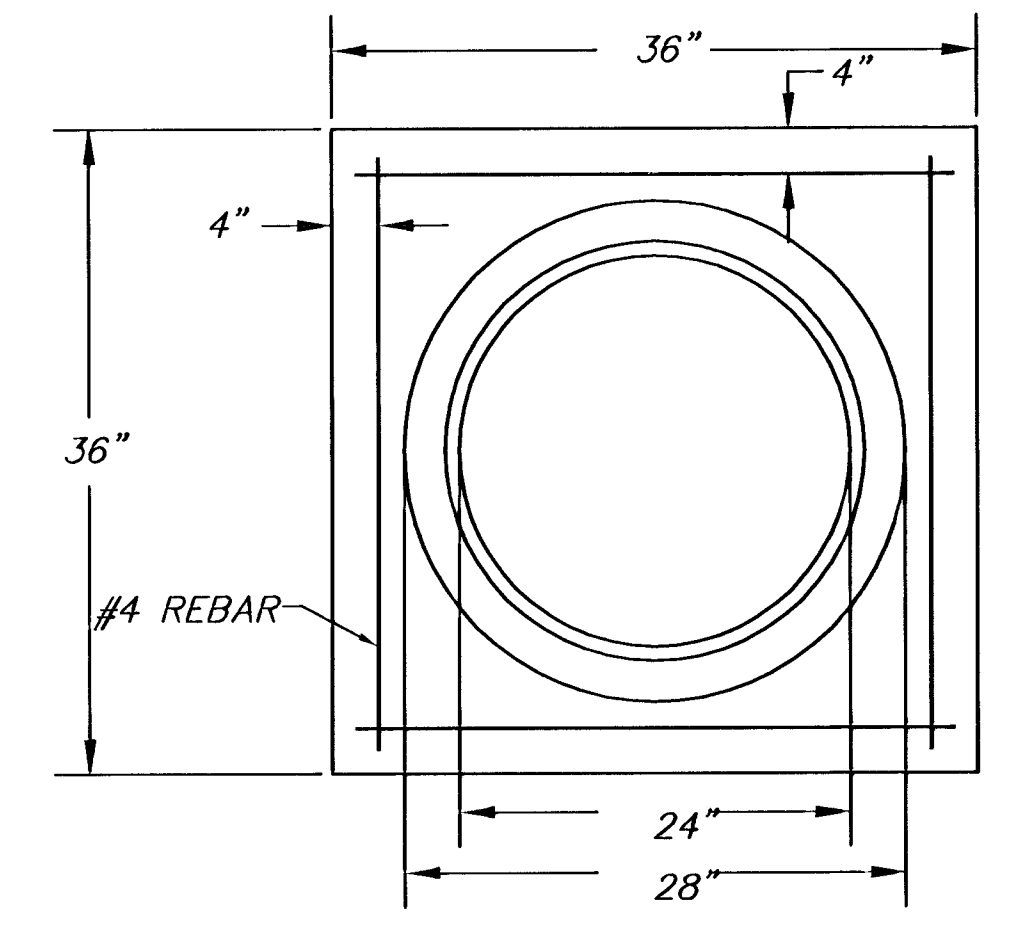
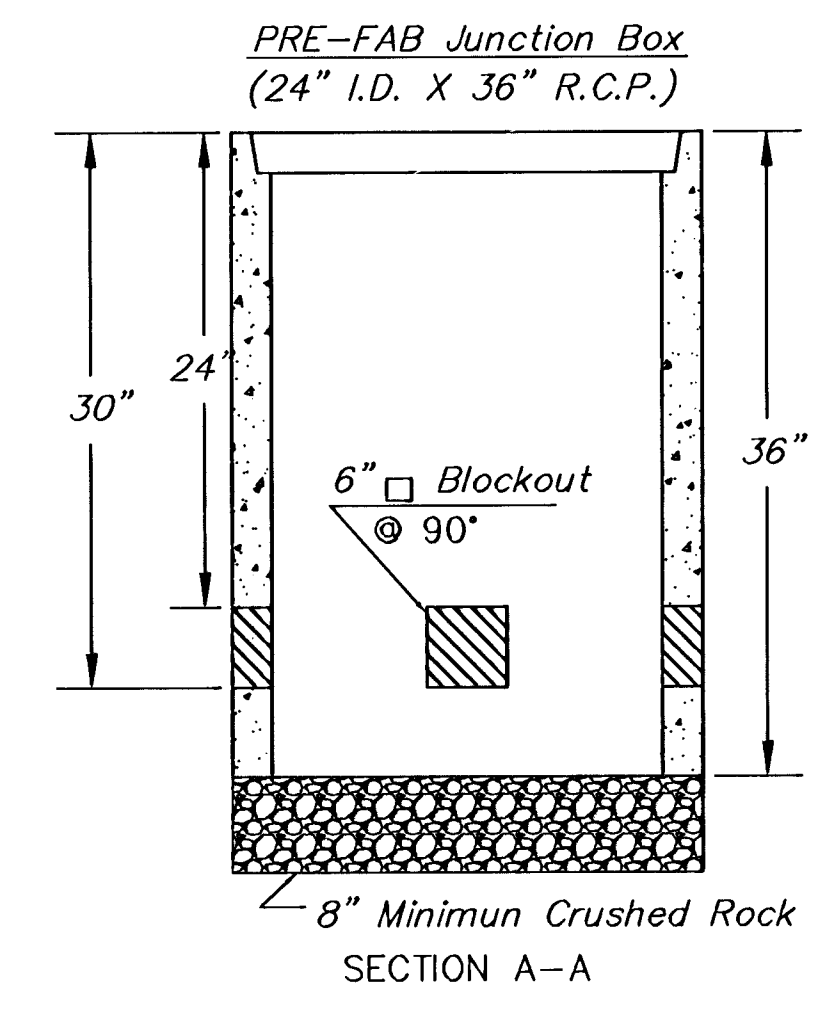
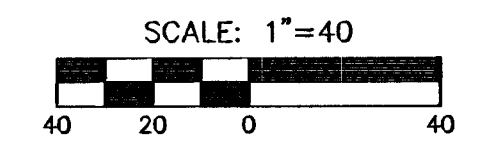


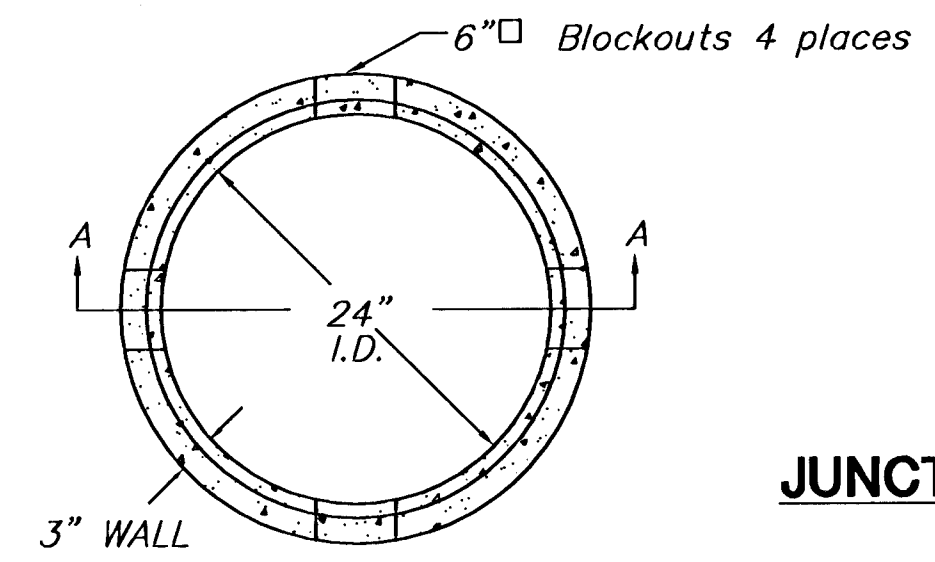
NOTE: CONTRACTOR TO VERIFY LOCATION AND NUMBER OF LIGHT POLES TO BE INSTALLED PRIOR TO CONSTRUCTION.



JUNCTION BOX CAP
36" x 36" x 6" TOP OF CAP TO BE FLUSH WITH GROUND LEVEL.

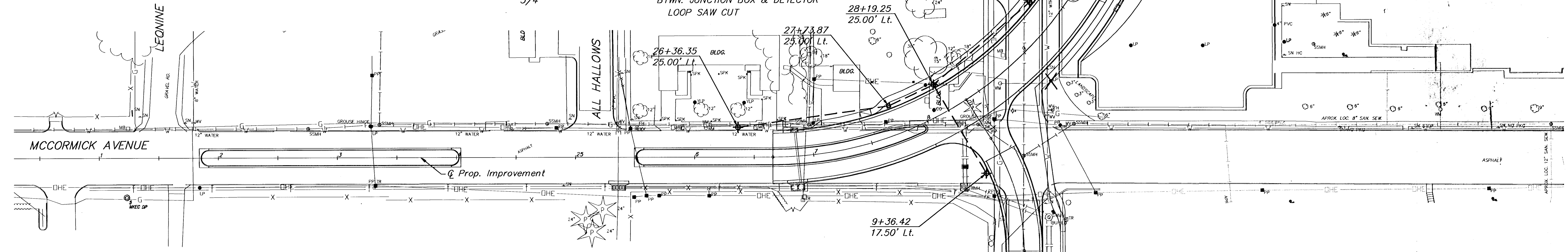
NOTES:

- SERVICE & JUNCTION BOX:**
- CONDUIT CONNECTION TO BE FLUSH TO WITHIN 125 mm OF INSIDE FACE OF SIDE WALL, CONDUIT TO DRAIN INTO SERVICE BOX.
 - CONDUIT CONNECTIONS TO SERVICE BOX SHALL BE TERMINATED WITH PLASTIC CABLE BUSHING.
 - CONDUIT SHALL BE SEALED WITH APPROVED SEALER AT INSIDE WALL FACE.
 - ALL SERVICE & JUNCTION BOXES TO HAVE 200 mm OF CRUSHED ROCK.
- TRENCHING:**
- DEPTH TO BE 30" MINIMUM WITH ROCK & STUBBLE FREE BACKFILL TO SERVE AS BEDDING MATERIAL. MAINTAIN MINIMUM CONDUIT DEPTH IN TRENCH.
 - BACKFILL TO BE COMPACTED IN 6" LOOSE LIFTS BY HAND OR MECHANICAL TAMPING TO A 95% STANDARD DENSITY.
- CONDUIT:**
- SLOPE CONDUIT TO DRAIN AS DIRECTED BY THE ENGINEER.
 - 3" RIGID STEEL CONDUIT BTWN. SERVICE BOXES.
1 1/4" BTWN. SERVICE & JUNCTION BOXES.
3/4" " " " BTWN. JUNCTION BOXES.
3/4" " " " BTWN. JUNCTION BOX & DETECTOR LOOP SAW CUT



JUNCTION BOX DETAILS

SEE SERVICE BOX INSTALLATION FOR RING & COVER DETAILS.



LEGEND

- X Existing Light pole to be removed
- Existing light pole to remain
- ◻ Relocated light pole
- ◻ Junction Box
- 480V, 1-PHASE, 2-#6, #6 GND, 1-1/4" PVC CONDUIT (TYPICAL)

SUMMARY OF QUANTITIES		
No. Poles to be Removed	No. Poles to be Re-located	No. Junction Boxes
18	18	8

J:\Civil\03245\DWG\pave\03245LHT.dwg 1/11/2005 10:45:34 AM CST

MKEC
ENGINEERING
CONSULTANTS
411 N. WEBB ROAD
WICHITA, KS. 67204
316-684-9600

MCCORMICK AVENUE STREET IMPROVEMENTS
PROJECT NAME

STREET LIGHTING PLAN
SHEET TITLE

JRA DESIGN BY. DPG DRAWN BY. JRA CHECKED BY.
AUGUST 2005 DATE 03245 JOB NO. 65/111 SHEET/OF