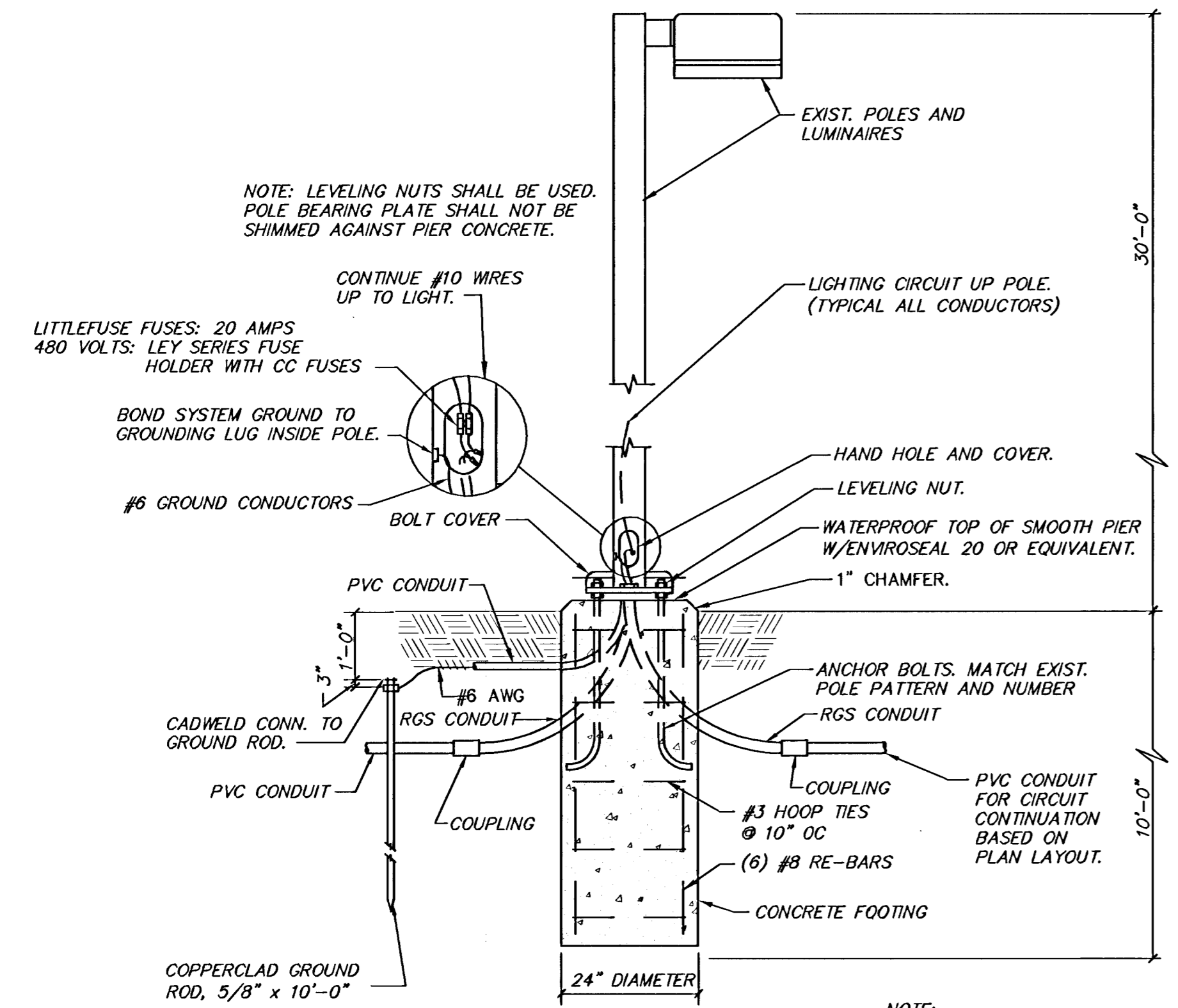


Meter to be Located at
Sta. xx+xx.xx, xx.xx' Lt.
(xxxx McCormick)



POLE BASE DETAIL

NOTE:
1. INSTALL ALL POLE BASES 3'-0" FROM
BACK OF CURB.

LEGEND

- LP X Existing Light pole to be removed
- LP ● Existing light pole to remain
- X Relocated light pole
- Junction Box
- 480V, 1-PHASE, 2-#6, #6 GND,
1-1/4" PVC CONDUIT (TYPICAL)

J:\Civil\03245\DWG\pave\03245LHT.dwg 1/11/2005 10:45:34 AM CST



MCCORMICK AVENUE STREET IMPROVEMENTS		
PROJECT NAME		
STREET LIGHTING PLAN		
SHEET TITLE		
JRA DESIGN BY.	DPG DRAWN BY.	JRA CHECKED BY.
AUGUST 2005 DATE	03245 JOB NO.	68 / 111 SHEET/OF