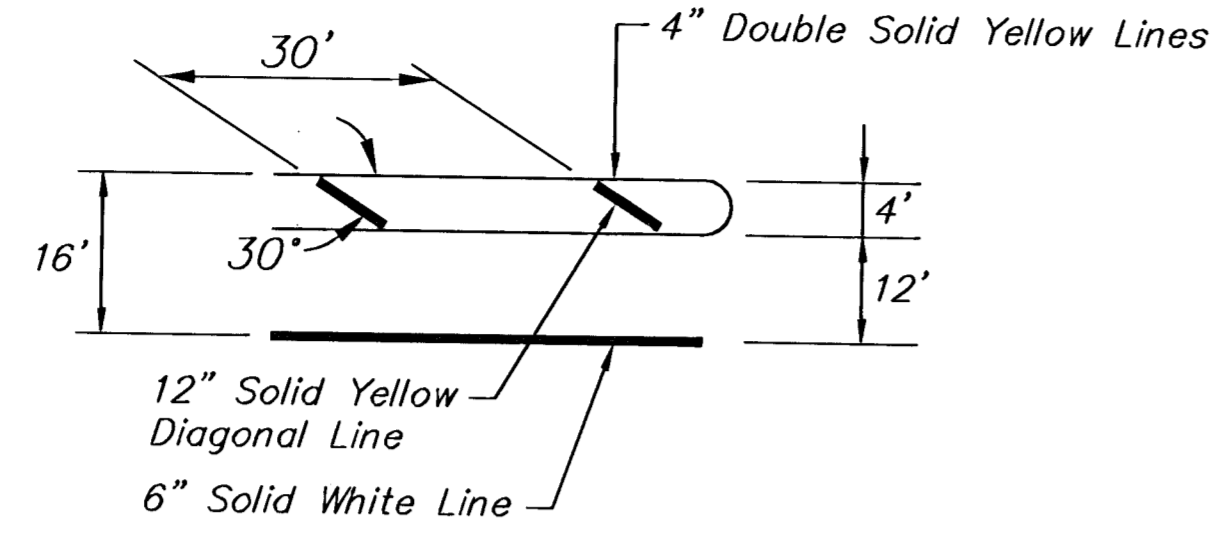
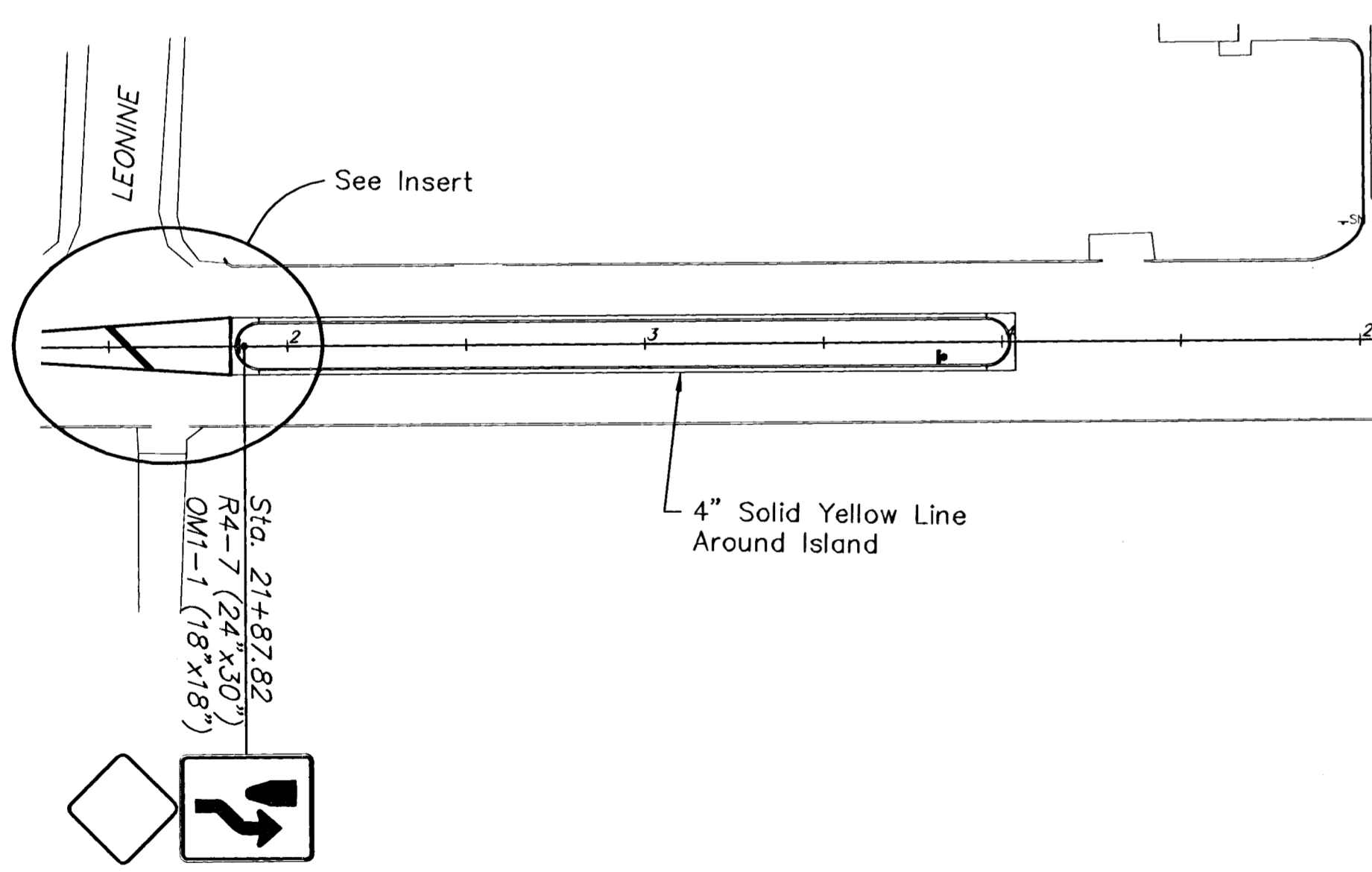
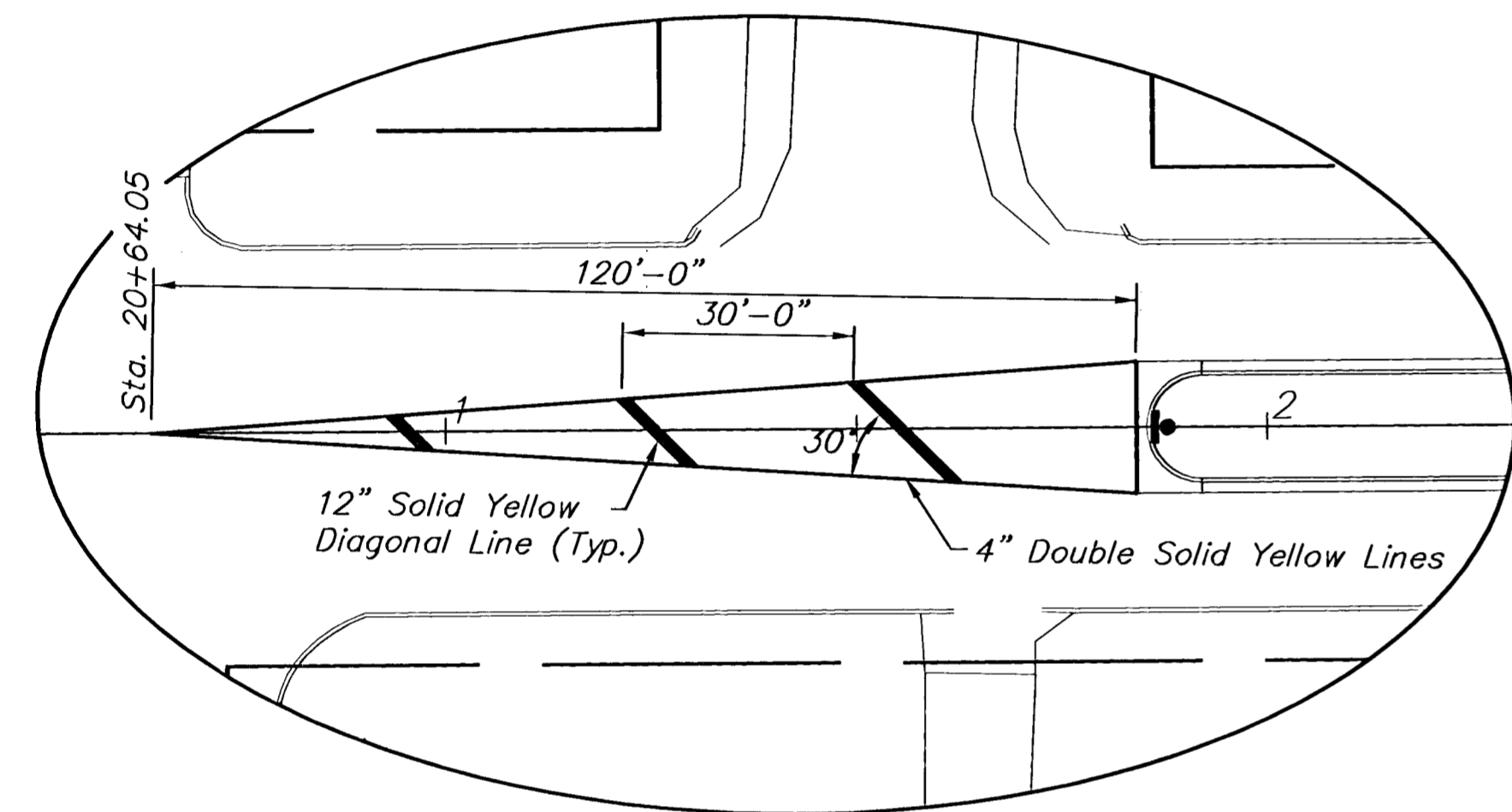
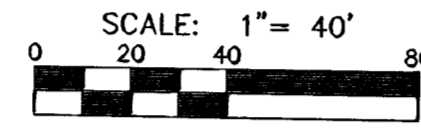


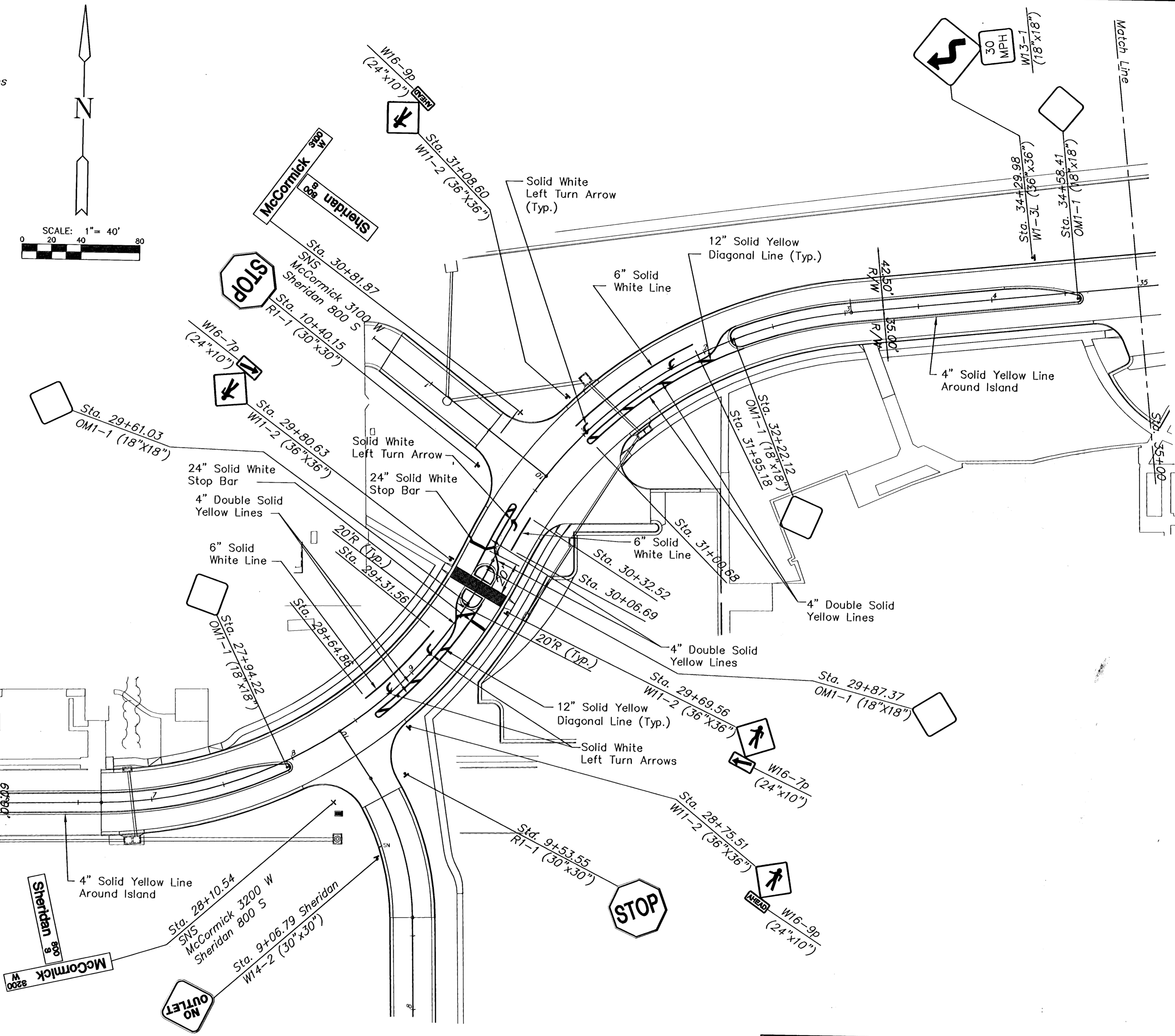
TYPICAL SPACING FOR
6" BROKEN WHITE LANE LINES



TYPICAL LEFT TURN LANE
PAVEMENT MARKING DETAIL



Note: All existing signs not
conflicting with the
Proposed Improvements
shall remain in place.



MCCORMICK AVENUE STREET IMPROVEMENTS
PROJECT NAME

PAVEMENT MARKING & SIGNING PLAN
SHEET TITLE

LAC DESIGN BY.	DPG DRAWN BY.	JRA CHECKED BY.
AUGUST 2005 DATE	03245 JOB NO.	57 / 111 SHEET/OF