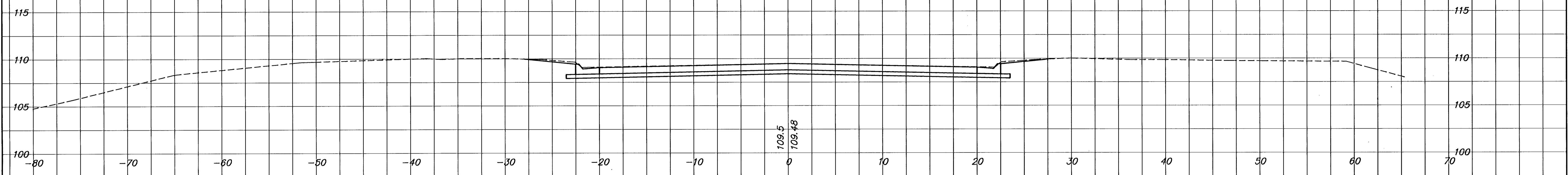
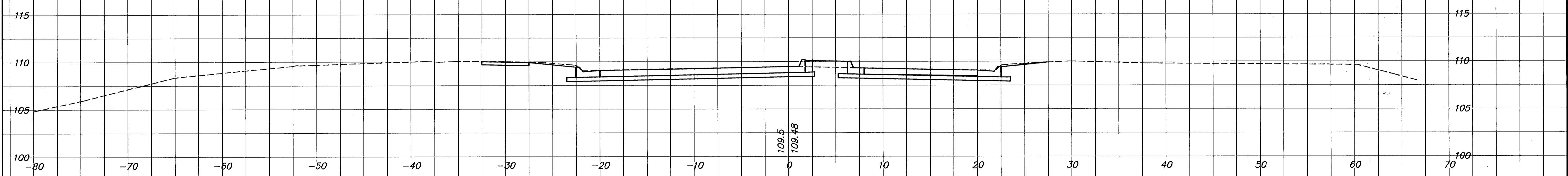


MCCORMICK STREET  
SHERIDAN TO K-42  
CROSS SECTIONS

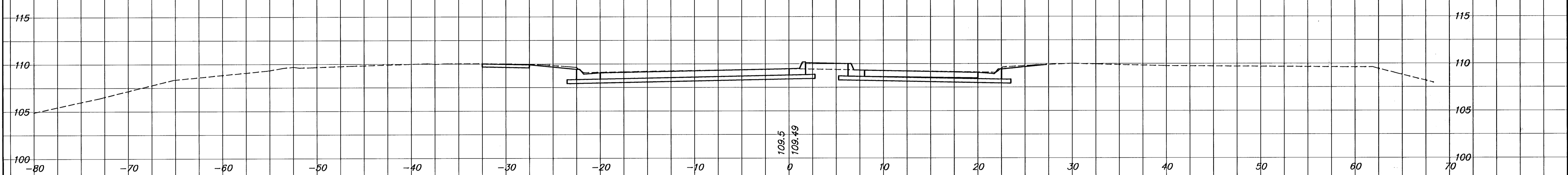
45+77.530



45+75



45+71.860



45+50

