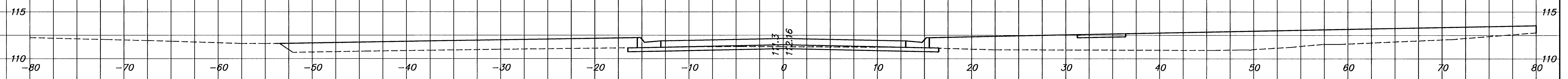
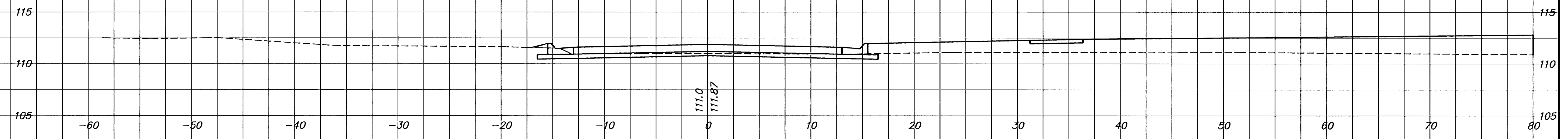


SHERIDAN
SHERIDAN TO K-42
CROSS SECTIONS

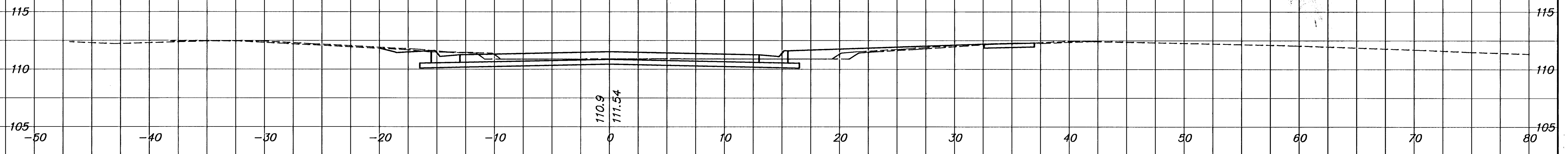
9+46.610



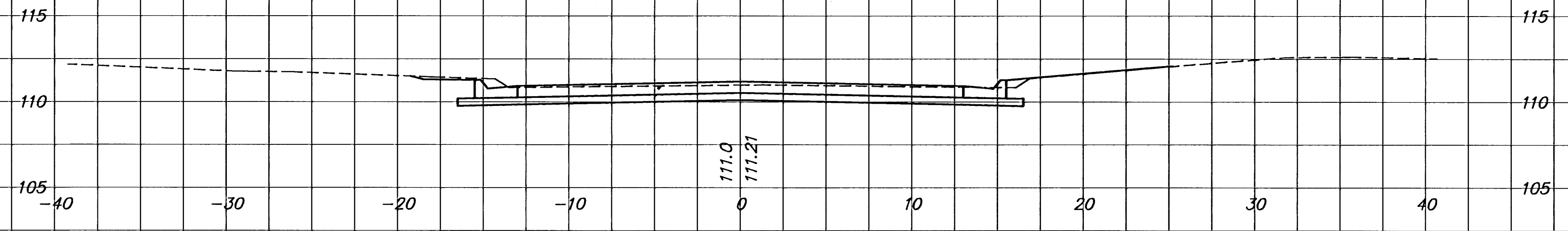
9+25



9+00



8+75



8+61.700

