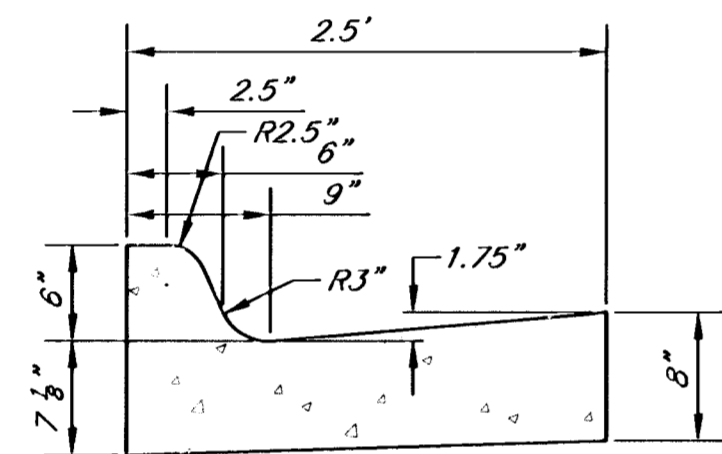


TYPICAL 37' SECTION



State Modified Type I Curb and Gutter

	DISTANCE FROM CENTERLINE (LT. & RT.)											
	0'	2'	4'	6'	8'	10'	12'	14'	16'	18'	18.5'	19.5'
A: Top of Curbs to Top of Pavement Lift	-0.12	-0.07	-0.01	0.05	0.11	0.17	0.23	0.29	0.35	-	-	-
B: Top of Curbs to Top of C.R. Subgrade	0.55	0.60	0.66	0.72	0.78	0.84	0.90	0.96	1.02	1.22	1.27	1.37

General Notes

Base reinforcement shall be one of the three following options.
 1. Tensor BX1200, Mirafi BasXgrid 12, Mirafi Geolon HP570, or approved equal.
 2. Tensor BX1100 on top of Mirafi Geolon HP370
 3. Mirafi BasXgrid 11, on top of Mirafi Geolon HP370

Base reinforcement shall be subsidiary to the crushed rock base.

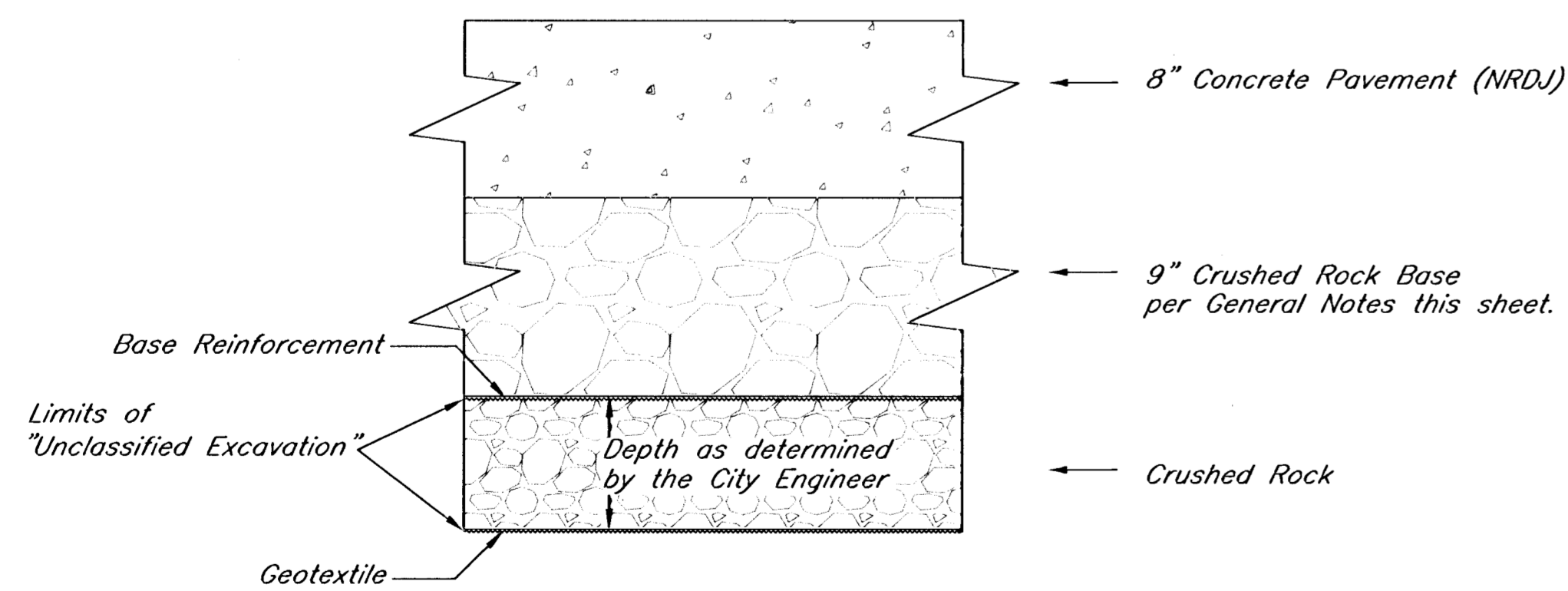
Base reinforcement shall be installed in accordance with the manufacturer's recommendations. The crushed rock base shall conform to the following gradation:

Sieve Size	% Retained
2-1/2"	0
3/4"?	20 - 60
#4	50 - 80
#40	80 - 94
#200	90 - 98

The aggregate quality shall conform to the requirements of KDOT Std. Spec. 1102, Durability Class I.

The Rock Base shall be compacted and smoothed with a steel faced roller prior to placement of the pavement.

The concrete pavement between the combined curb and gutter shall be paid as square yards of 8" reinforced concrete.



UNCLASSIFIED EXCAVATION DETAIL

UNCLASSIFIED EXCAVATION NOTE:

In areas where unstable or other unsuitable material is encountered, it shall be at the City Engineer's discretion to require the Contractor to over excavate the material and replace it as detailed "Unclassified Excavation Detail". The Engineer prior to the work shall approve the limits of the excavation. The bid price for "Unclassified Excavation" shall be paid per Cubic Yard (C.Y.) and shall include all labor, equipment, dewatering (if needed), excavation, geotextile (Mirafi Geolon HP370, or approved equal), crushed rock, placing of materials, and all incidentals to complete the item as directed by the City Engineer. The Contractor understands that a quantity has been estimated for bidding purposes and is intended principally to serve as a guide in evaluating bids. The Engineer will determine the exact dimensions and quantities. When the quantity of Unclassified Excavation underruns or overruns the contract quantity, the work shall be performed at the contract unit price and no alteration or variation in the contract unit price will be considered. Quantities of Unclassified Excavation will not be measured for payment when the subgrade has become unstable or unsuitable because of negligence or improper methods of construction by the Contractor. However, the Contractor will be required to correct these conditions.

Harry Street, Meridian to K-42
 Typical 37' Pavement Detail
 Wichita, Kansas

PROJECT NUMBER 472-84001 OCA#706900			
KEM NO. 04050	FILE PAV37-8	DATE 2/05	SHEET 2
DESIGN CDW	DRAWN PB	REVISED 11/21/05	OF 58

kemiller engineering
 516 S. Market, Wichita, KS 67202 316/264-0242