

W.L. Sta. 0+7.80
B.L. Sta. 22+33.44 173.20' RT
1-45' MJ Bend

W.L. Sta. 0+0.00 Line 1
B.L. Sta. 22+39.03 178.69 RT
N 4793.91, E 10733.79
Remove 8" MJ Cap
Tie Into Exist 8" WL
1-8" MJ Bend

W.L. Sta. 0+10.00 (Approx.)
Const. 2" Custom Set & Service
and tie to exist. 2" Domestic
Service Line.

W.L. Sta. 1+47.10
B.L. Sta. 22+33.12 33.90' RT
1-45' MJ Bend

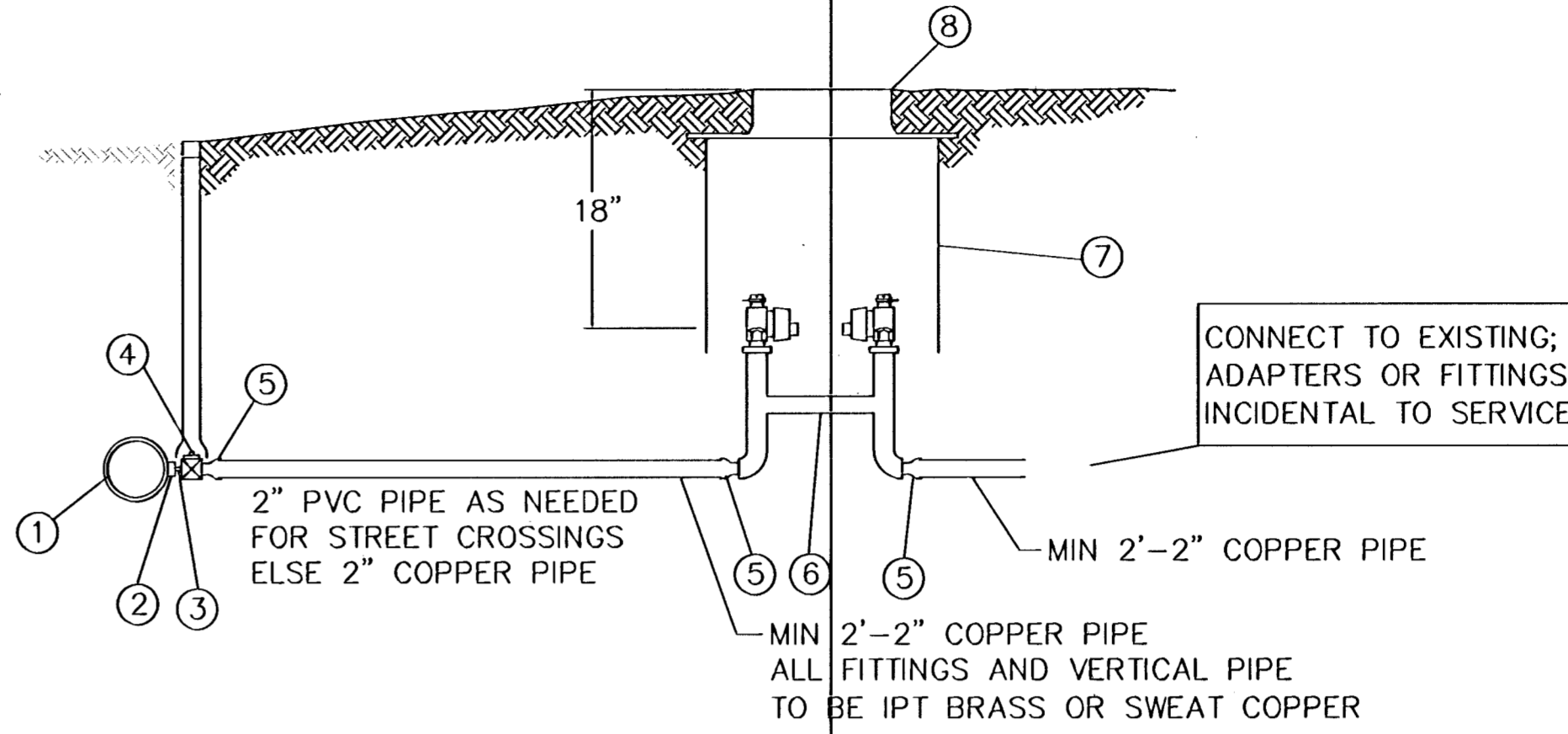
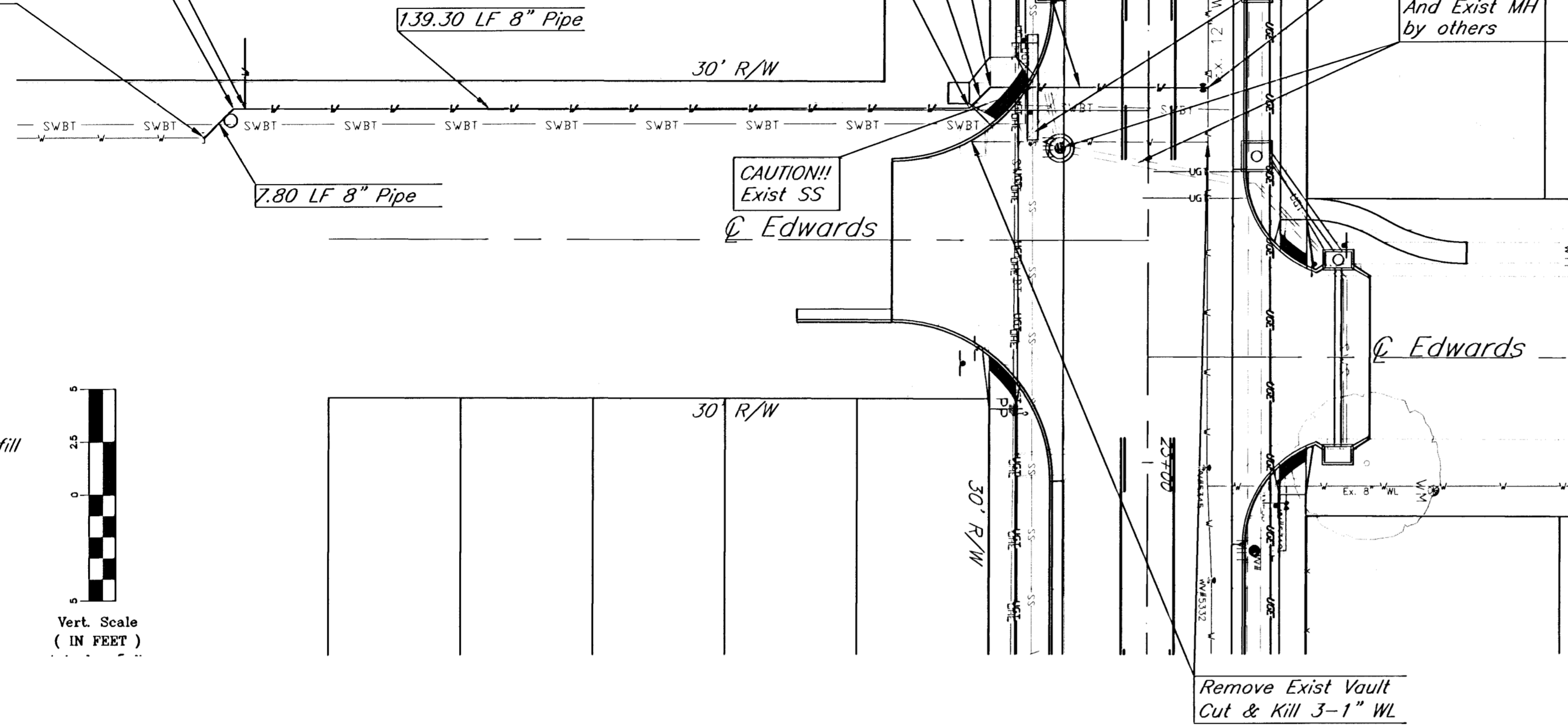
5.68 LF 8" Pipe

W.L. Sta. 1+52.78
B.L. Sta. 22+29.09 29.91' RT
1-45' MJ Bend

41.13 LF 8" Pipe

W.L. Sta. 1+93.91 Line 1
B.L. Sta. 22+29.10 11.23 LT
N 4983.82, E 10734.51
*Install 1-8"x12" Tapping Sleeve
*1-8" Tapping Valve
*1-6" Valve Box
Top Valve Box=106.67

*By Wichita Water Dept.

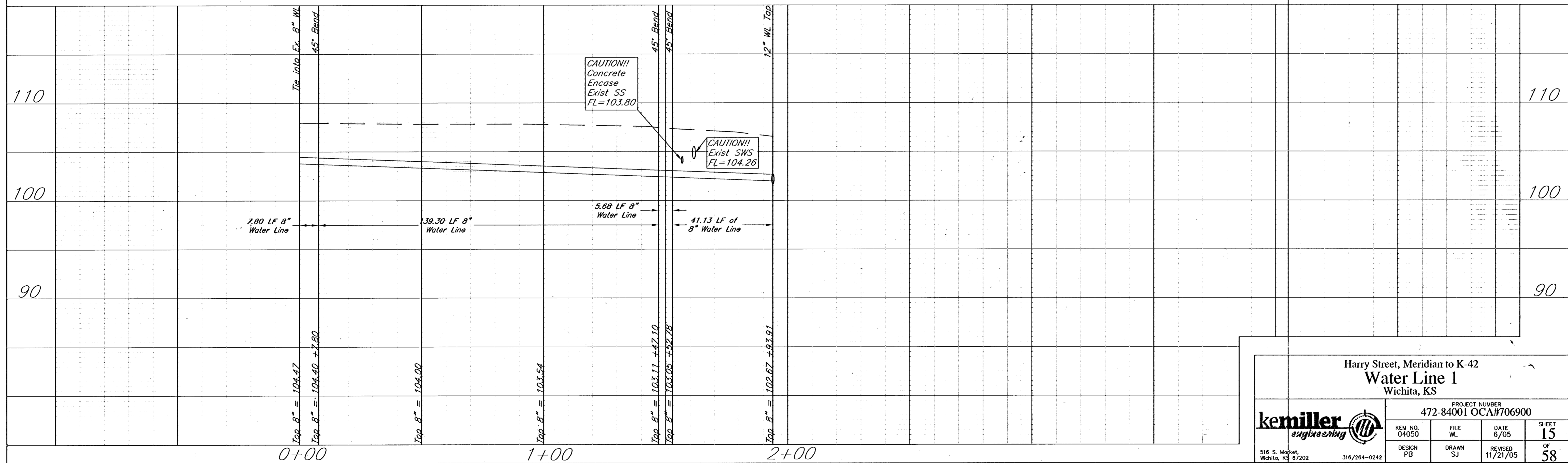
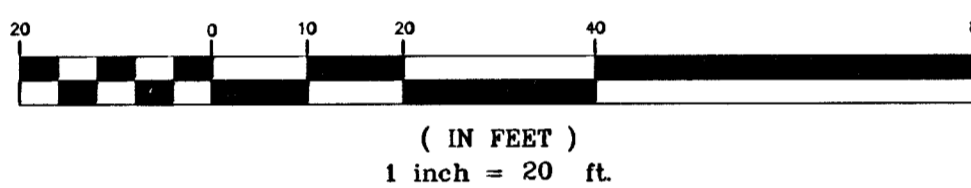
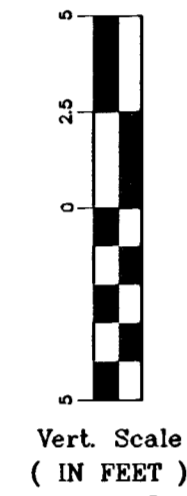


MATERIALS LIST:

1. EXISTING WATER MAIN, PIPE DIAMETER="D"
2. "D" x 2" BRASS SADDLE
3. 2" X 3" BRASS NIPPLE
4. 2" CURBSTOP AY MCDONALD, FORD B11-777, MUELLER 300 B20283 (WITH STANDARD VALVE BOX)
5. 2" F COPPER TO MIPT ADAPTER FORD C84-77
6. 2" CUSTOM SETTER W/BYPASS FORD VV7724B1177
7. 30" WHITE PVC METER BOX - 24" HIGH, SMOOTH INSIDE, RIBBED OUTSIDE, NO NOTCHES
8. 30" X 20" MONITOR COVER WITH 20" LID WITHOUT LOCK FORD MC30LL

2" CUSTOM SET & SERVICE

Back Fill Note:
Under proposed Pavement area, backfill
trench with jetted sand. Cost to be
subsidiary to pipe unit cost.



Harry Street, Meridian to K-42 Water Line 1 Wichita, KS			
PROJECT NUMBER 472-84001 OCA#706900			
KEM NO. 04050	FILE WL	DATE 6/05	SHEET 15
DESIGN PB	DRAWN SJ	REVISED 11/21/05	OF 58
516 S. Market, Wichita, KS 67202		316/264-0242	