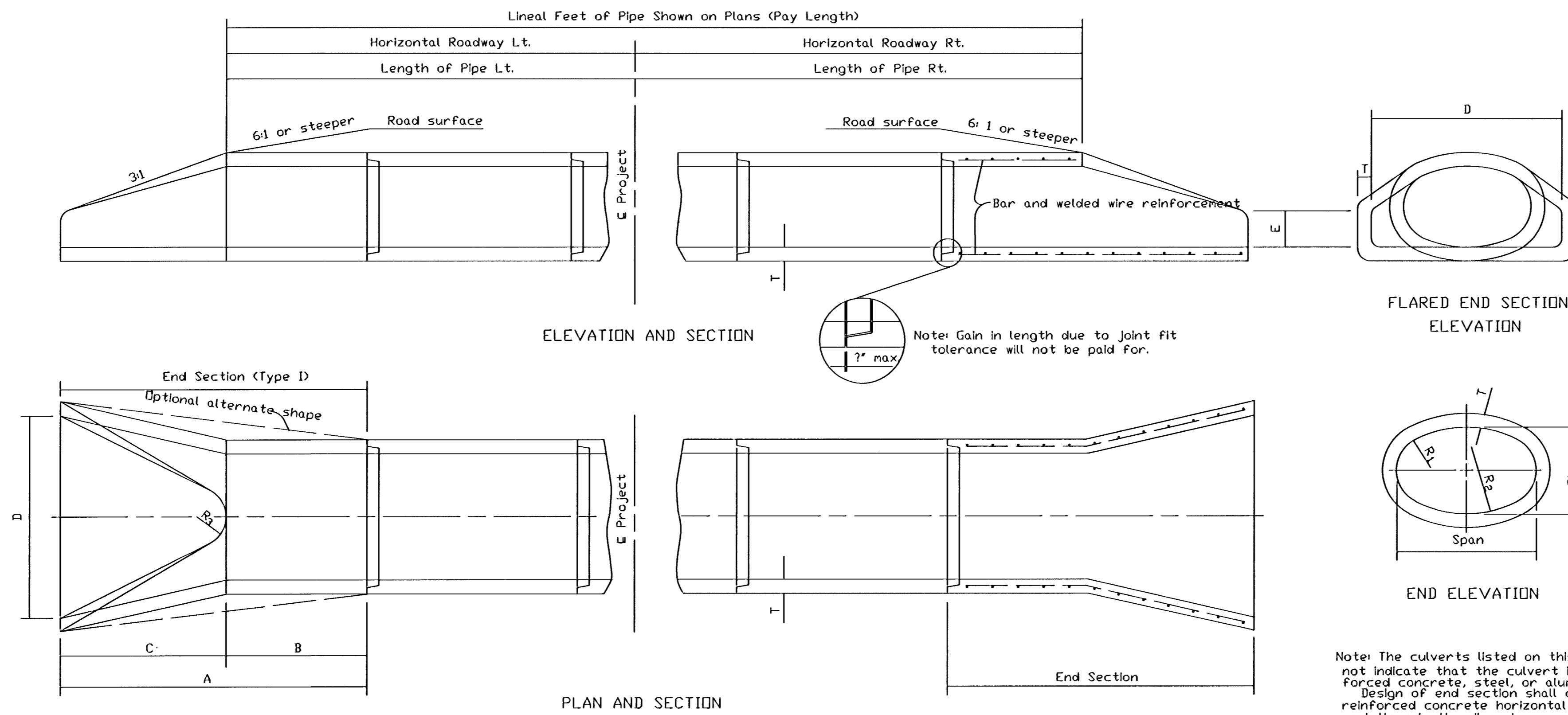


Scale: 1



Note: The culverts listed on this sheet may or may not indicate that the culvert installed will be reinforced concrete, steel, or aluminum. Design of end section shall conform to standard reinforced concrete horizontal elliptical pipe. Slight variations in the dimensions specified will be allowed.

END SECTION (TYPE D) NOMINAL DIMENSIONS													
Bid Designation	Min. Area Sq. Ft.	W.V. Area Sq. Ft.	Span	Rise	Overall Length		C	D	E	R ₁	R ₂	R ₃	T
					A	B							
10 or 15	1.8	23'	14'	6'-0"	3'-9"	2'-3"	0'	8'	6'	20'	6'	2'	2"
20, 25 or 30	3.3	30'	19'	6'-0"	2'-9"	3'-3"	0'	8'	8'	26'	7'	3'	2"
4.0	4.1	34'	22'	6'-0"	2'-2"	3'-10"	4'-6"	9'	9'	29'	8'	3'	2"
5.0	5.1	38'	24'	6'-0"	1'-6"	4'-6"	5'-0"	9'	10'	32'	9'	3'	2"
6.0	6.3	42'	27'	6'-0"	1'-3"	4'-9"	5'-6"	10'	11'	36'	10'	3'	2"
7.0	7.4	45'	29'	8'-0"	3'-0"	5'-0"	6'-0"	11'	12'	39'	12'	4'	2"
8.5	8.8	49'	32'	8'-0"	3'-0"	5'-0"	6'-3"	12'	13'	42'	12'	4'	2"
10.0	10.2	53'	34'	8'-0"	3'-0"	5'-0"	6'-6"	15'	14'	46'	13'	5'	2"
11.0 or 12.5	12.9	60'	38'	8'-0"	3'-0"	5'-0"	7'-0"	21'	16'	51'	14'	5'	2"
14.0 or 16.5	16.6	68'	43'	8'-0"	3'-0"	5'-0"	7'-6"	25'	18'	58'	16'	6'	2"

Paid for as separate item of "End Sections".
Included in pay length of pipe.

PIPE CULVERT SUMMARY																											
Station	Location	Type	Bid Designation	Crown Grade Elev.	Flow line		Horizontal Roadway		Degree of Rotation	Length of Pipe		Lin. Ft. of Pipe	End Section														
					LT.	RT.	LT.	RT.		LT.	RT.		Type I	Type II	LT.	RT.	LT.	RT.									
SEE STORM SEWER PLAN AND PROFILE.																											

2 4-6-95 Revised reinforcement callout SVX JOB
1 6-16-95 Revised table & labeling RJS JOB

CONCRETE END SECTION FOR REINFORCED CONCRETE HORIZONTAL ELLIPTICAL PIPE TYPE I

Harry Street, Meridian to K-42 End Section Detail Wichita, Kansas			
PROJECT NUMBER 472-84001 OCA 716800			
	KEM NO.	FILE	DATE
	04050	end section	11/05
DESIGN	DRAWN	REVISED	SHEET
KDOT	KDOT	11/21/05	29
			OF
			58
516 S. Market, Wichita, KS 67202		318/264-0242	