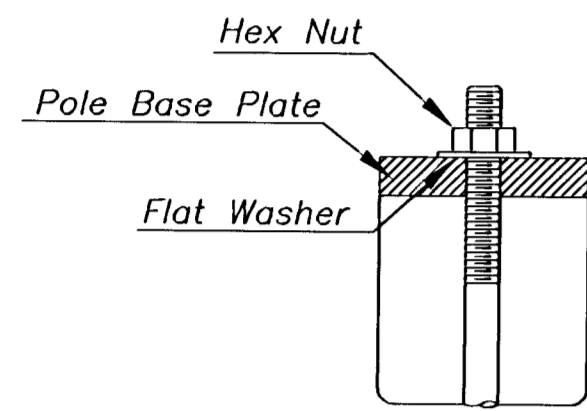
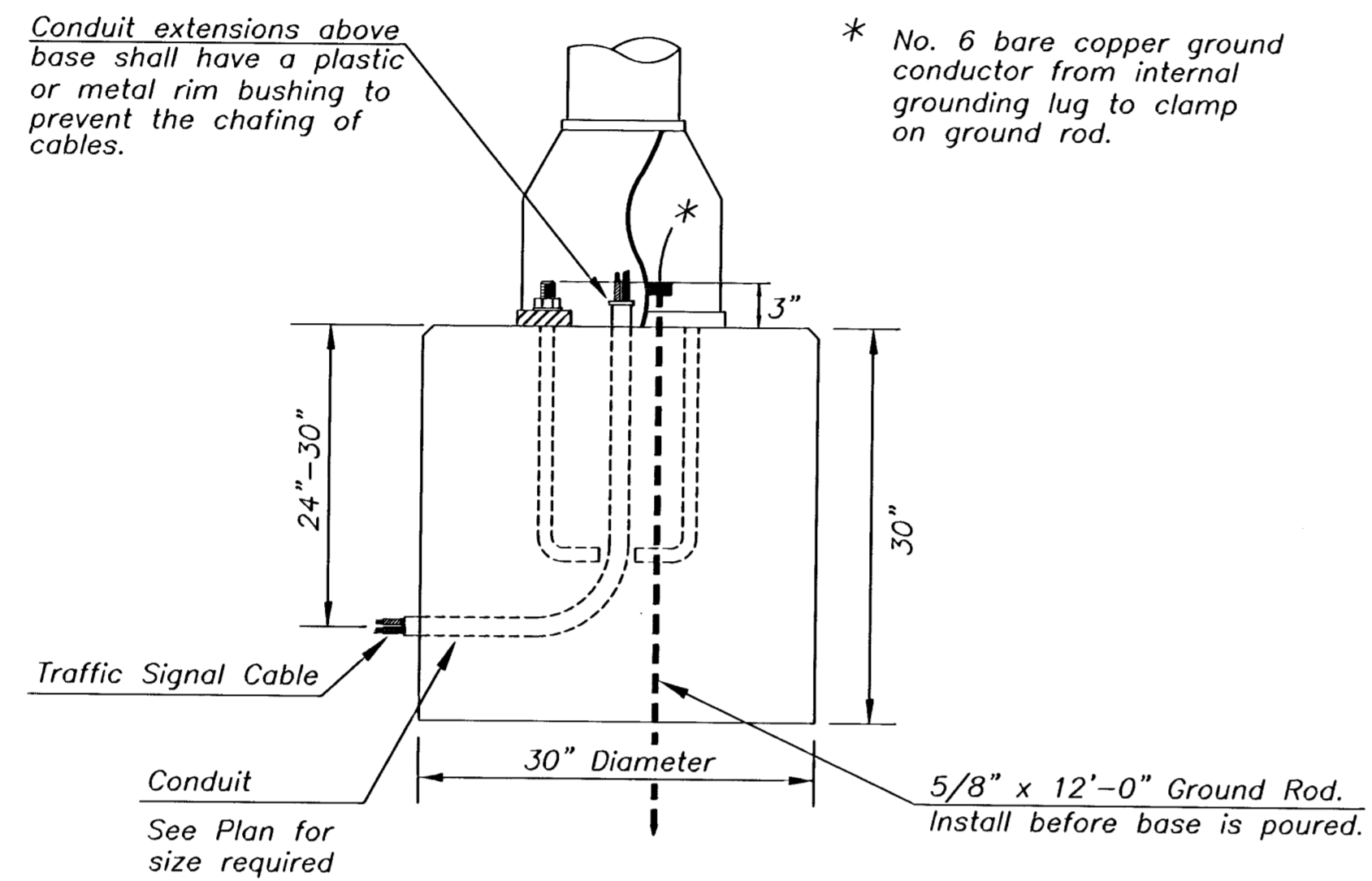
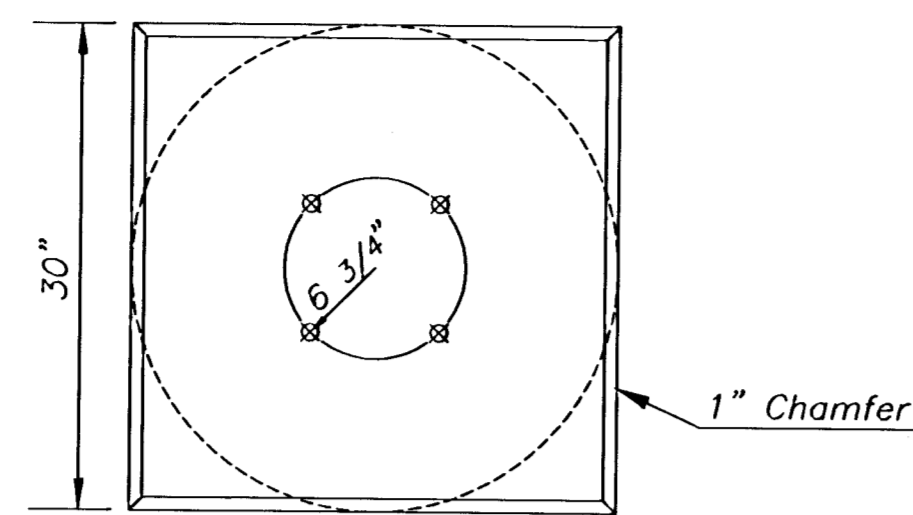


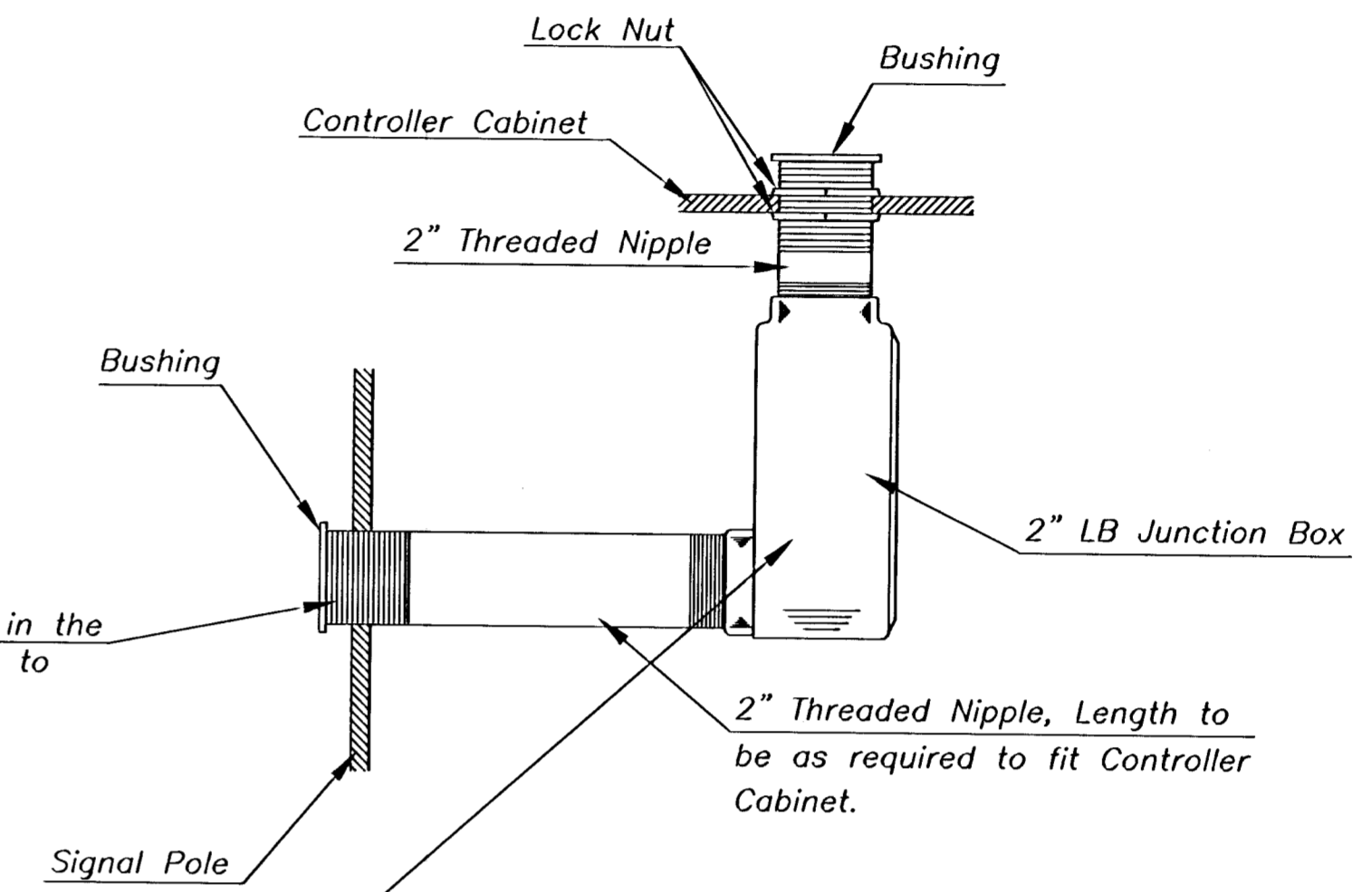
Use Keystone "No-Weld Number 1 Anti-Seize Compound" on all bolts & nuts.



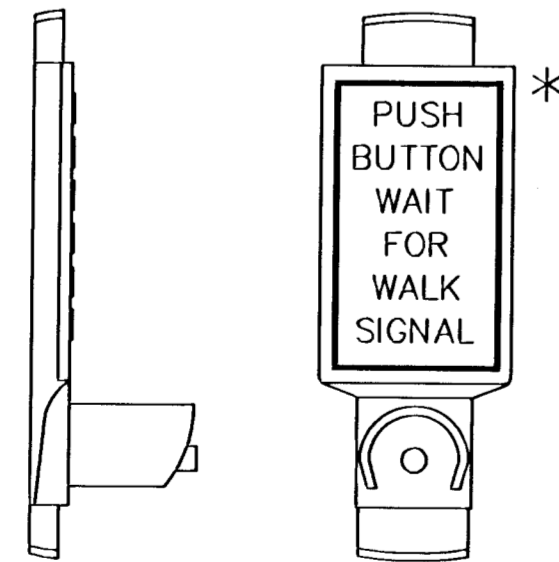
ANCHOR BOLT
DETAIL



CONCRETE BASE DETAIL

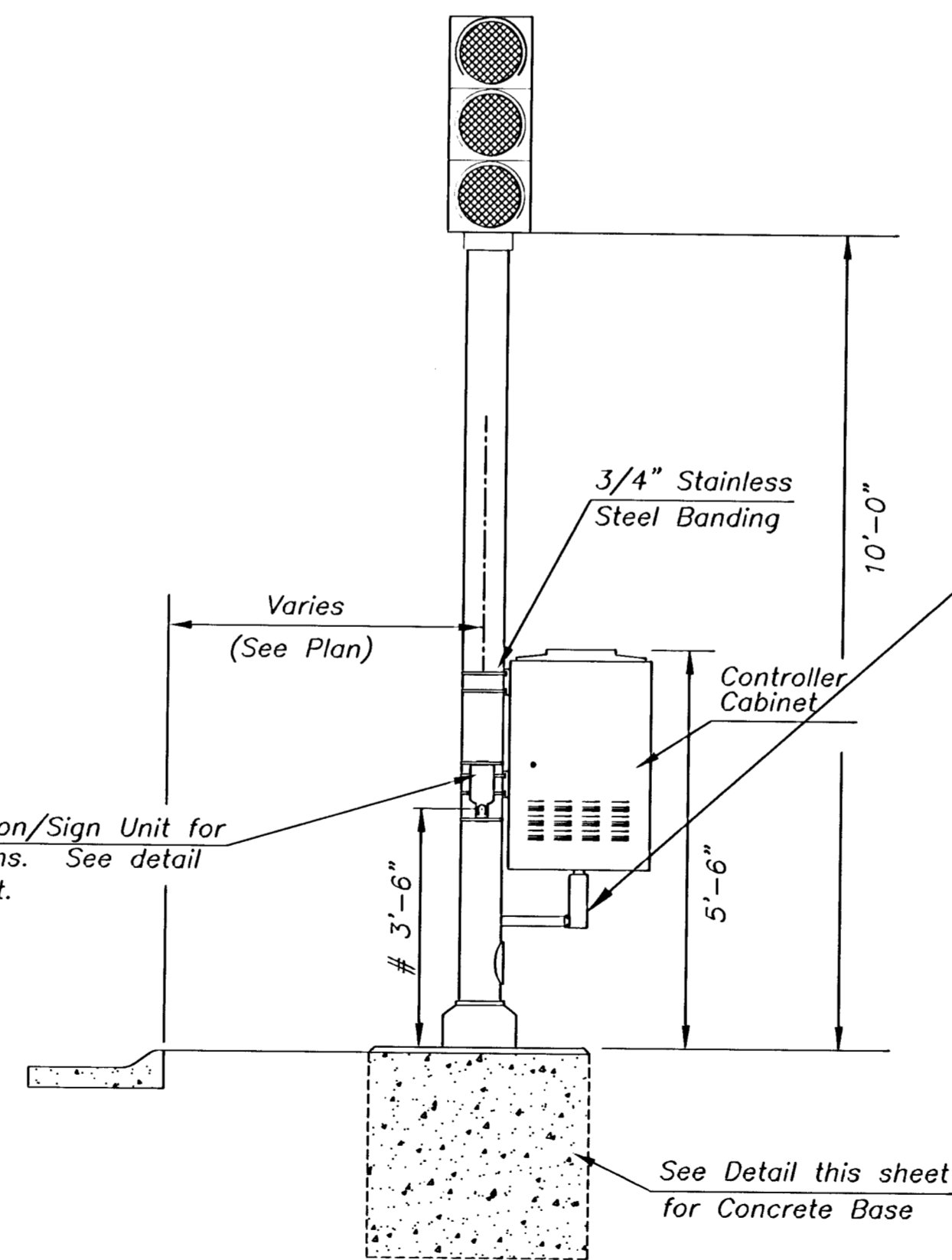


* NOTE: MESSAGE TO BE CAST WITH HOUSING (ONE PIECE)



INSTALL PEDESTRIAN PUSHBUTTON UNDERNEATH CORRESPONDING PEDESTRIAN SIGNAL HEAD ON SIDE OF POLE NEAREST CROSSWALK. UNIT SHALL BE FIRMLY ATTACHED TO THE SIDE OF POLE WITH 3/4" STEEL BANDS. SHARP ENDS SHALL BE FOLDED UNDER TO PREVENT INJURY TO PEDESTRIANS.

PEDESTRIAN PUSHBUTTON/SIGN
UNIT DETAIL



From Sidewalk Finish Grade to Center of Pushbutton.

TRAFFIC SIGNAL PEDESTAL

PROJECT DESCRIPTION			
TRAFFIC SIGNAL PEDESTAL & CONCRETE BASE			
DETAIL SHEET			
PROJECT NUMBER			
472-84001		OCA 706900	
DRAWN BY: T.M.	SCALE	REVISED BY:	
DATE: MAY 97	NO SCALE	DATE:	
CITY OF WICHITA			
DEPARTMENT OF PUBLIC WORKS			
DIVISION OF TRAFFIC ENGINEERING			SHEET 31 OF 58
WM. G. MCKINLEY P.E. TRAFFIC ENGINEER			