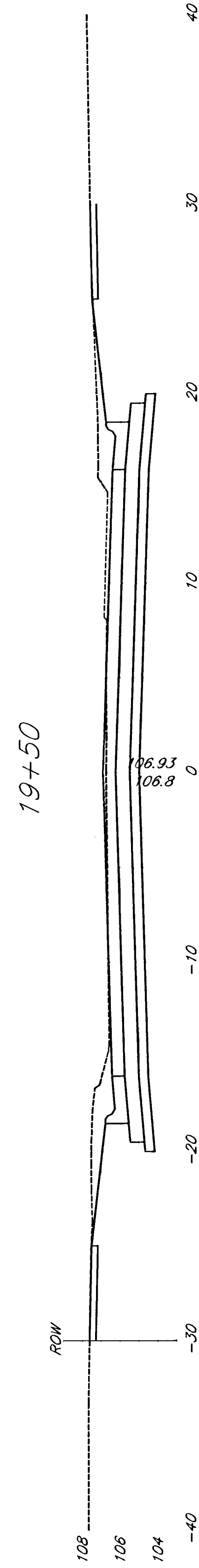
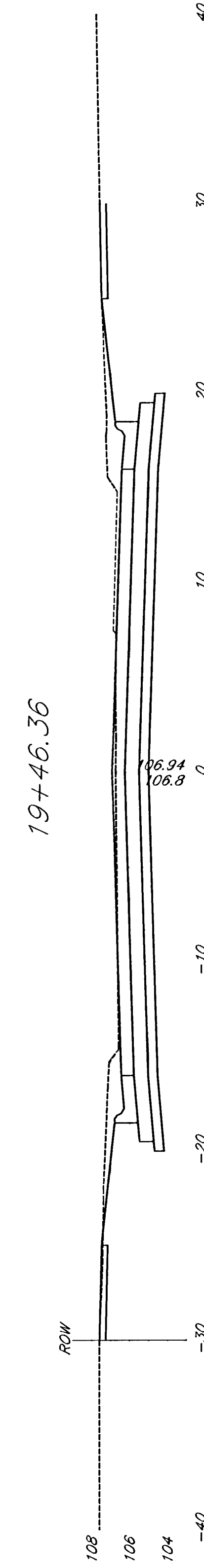


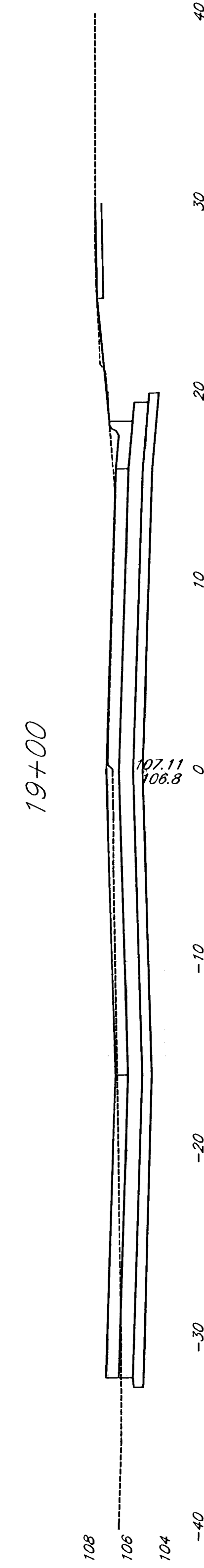
ROW
108
106
104



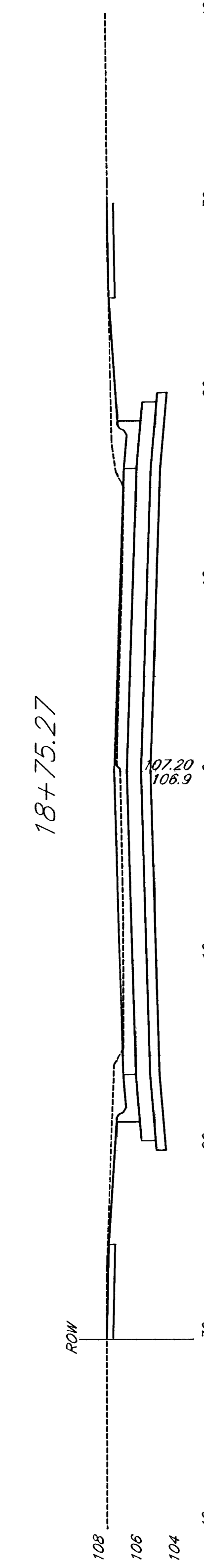
ROW
108
106
104



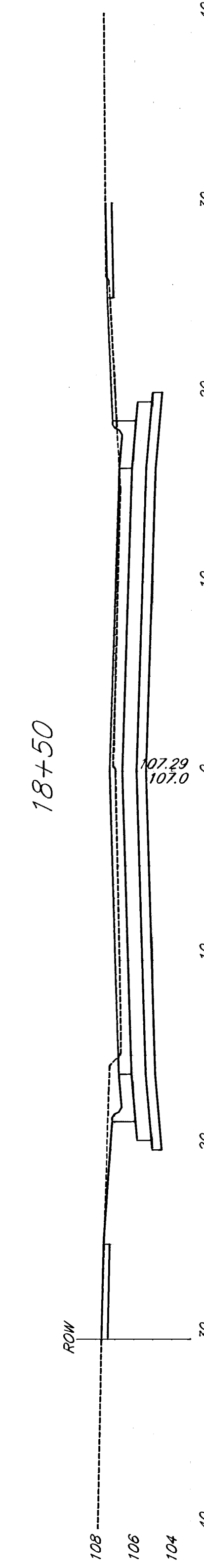
ROW
108
106
104



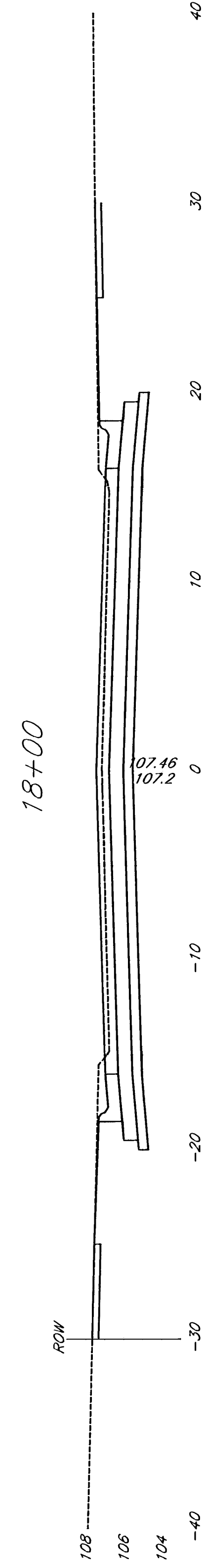
ROW
108
106
104



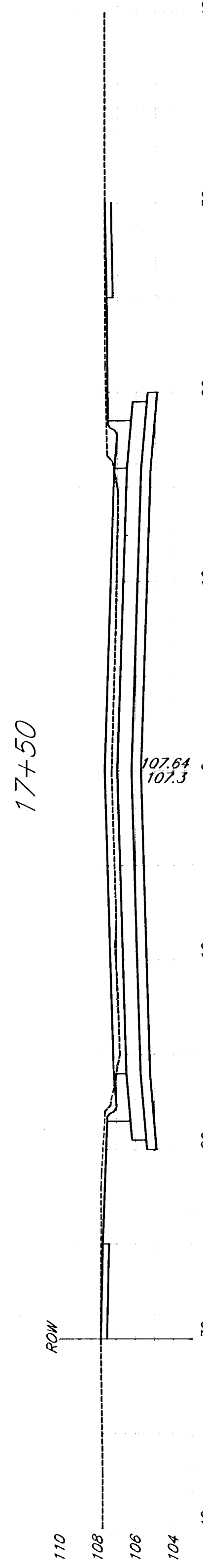
ROW
108
106
104



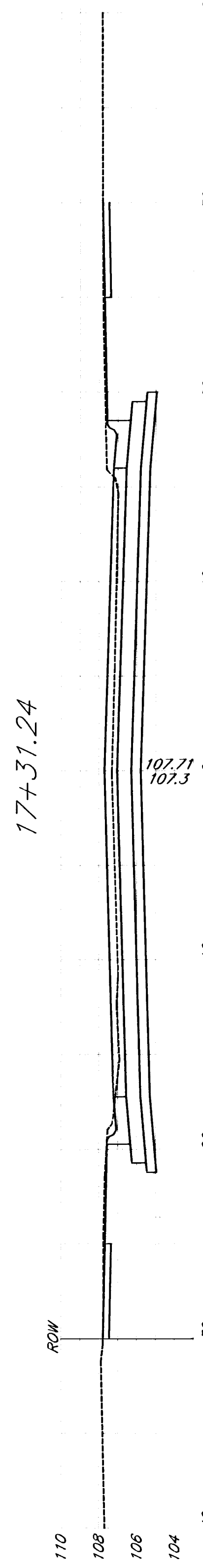
ROW
108
106
104



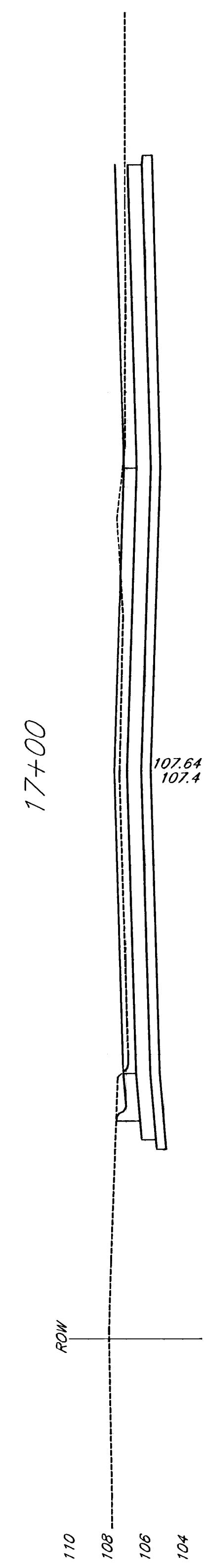
ROW, 110
108
106
104



ROW, 110
108
106
104



110
108
106
104



Harry Street, Meridian to K-42
Cross Sections
Wichita, KS

PROJECT NUMBER
472-84001 OCA#:706900

KEM NO. 04050	FILE SH48 XSECTS	DATE 6/05	SHEET 48
DESIGN PB	DRAWN SJ	REVISED 11/21/05	OF 58

516 S. Market,
Wichita, KS 67202

316/264-0242