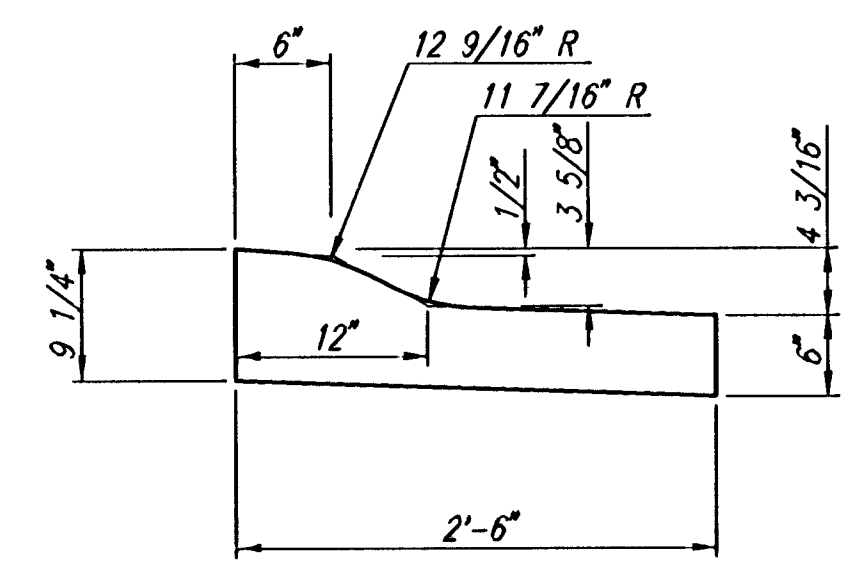
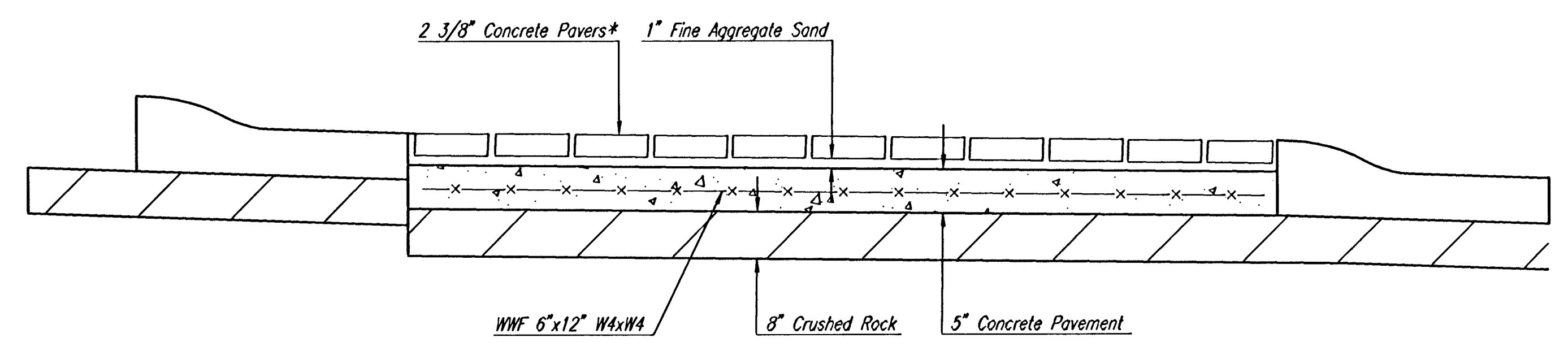
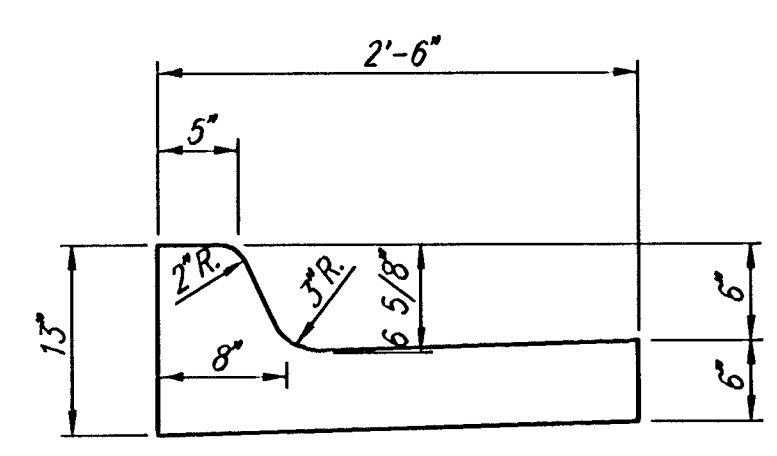


* Note: See Sh. No. 14 for Concrete Paver Information.



DSNR: BLB OPER: BJS SCALE: 1"=5.00
 C:\2004\04688\000\04688-000-C-ROUNDABOUT_TYPSEC 08-24-2005 12:08:02 am

	No. _____ Revision _____ By _____ Date _____
	OAK CREEK - PHASE 1 ROUNDBOUT TYPICAL SECTIONS JAMES L. ARMOUR, P.E. - CITY ENGINEER CITY OF WICHITA PROJECT NO. 472-84209 Professional Engineering Consultants, P.A. 303 S. TOPEKA • WICHITA, KANSAS 67202 316-262-2691 • FAX 316-262-3003
	Designed by BDB, BLB Drawn by BJS
	Job No. 35-04688-000 Date October 2004 Sheet 19 of 86