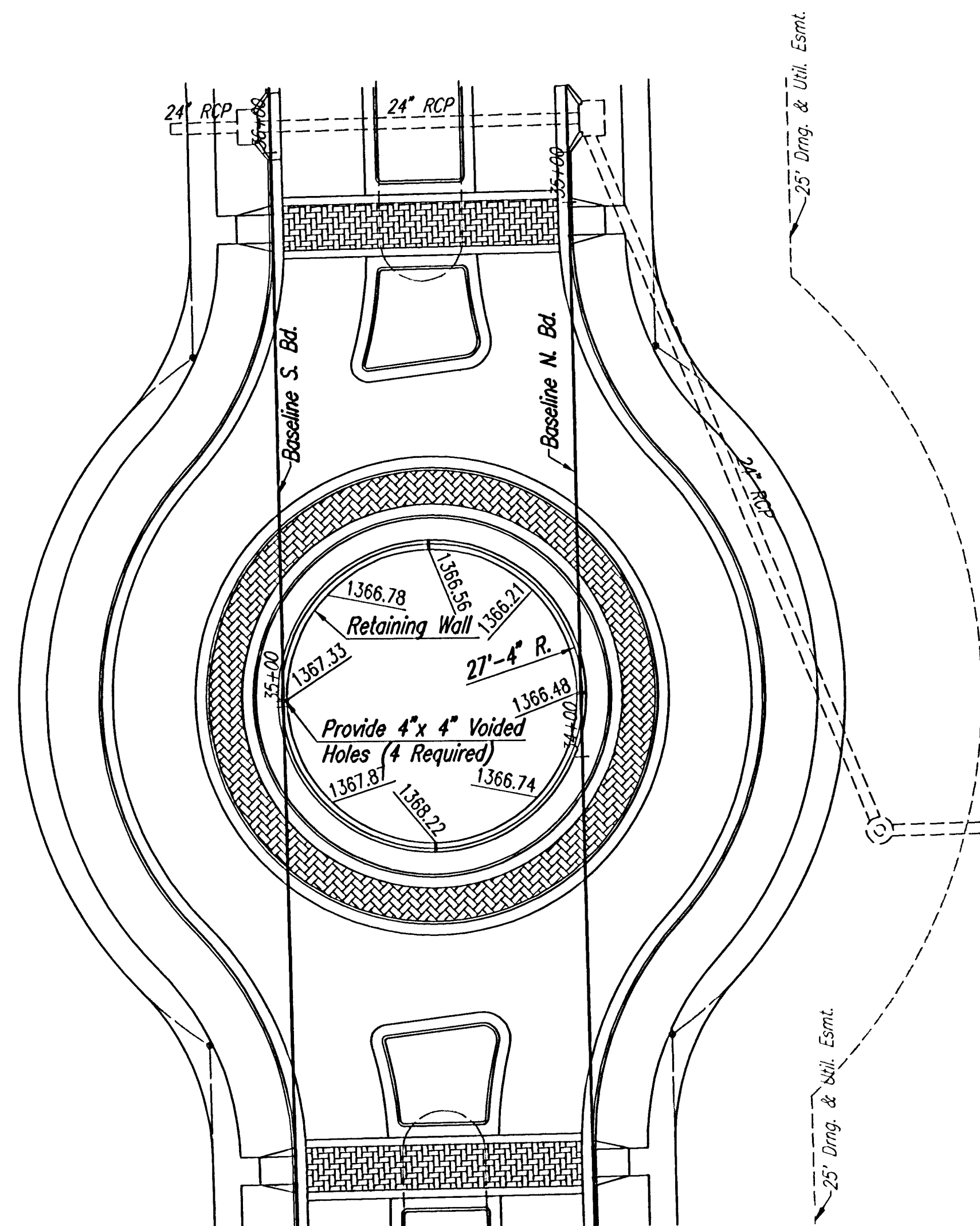
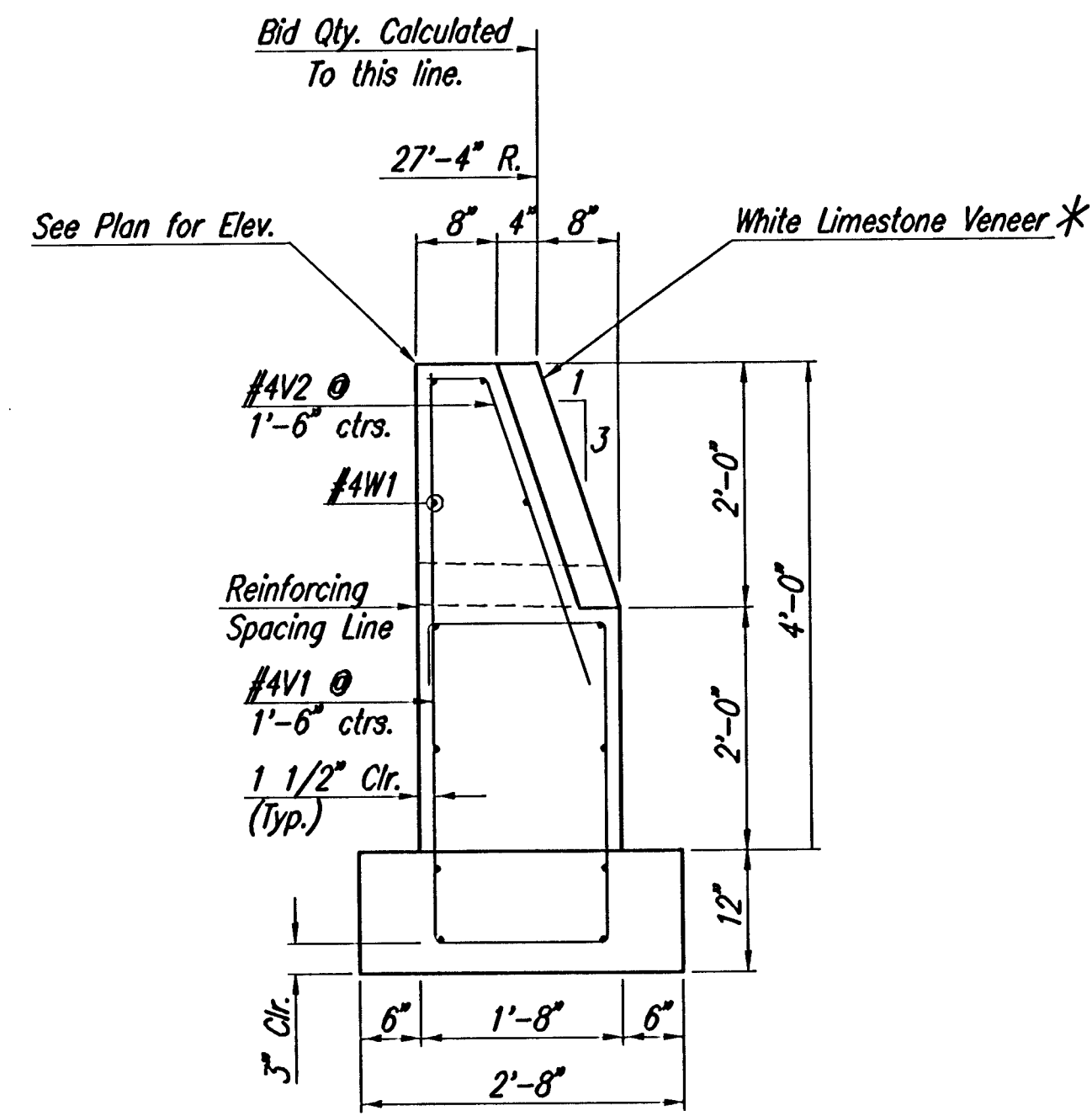


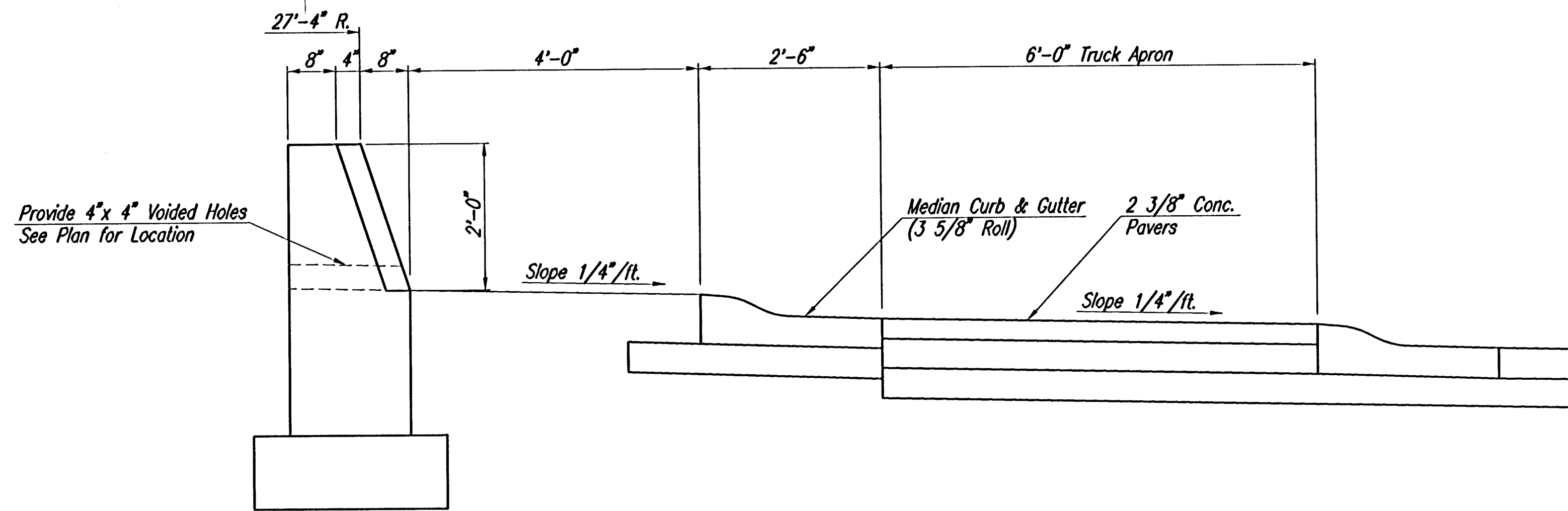
DSNR: BLB OPER: BJS SCALE: 1"=20' 00
 G:\2004\04688\000\04688-000-C-ROUNDABOUT_MISCDDET 08-23-2005 09:06:32 am



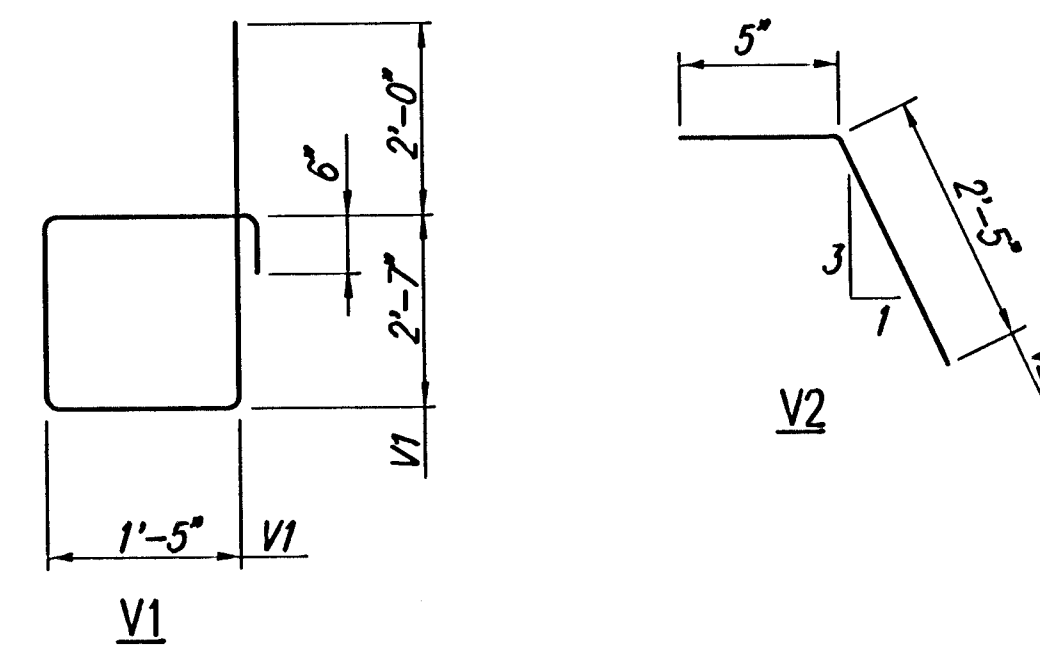
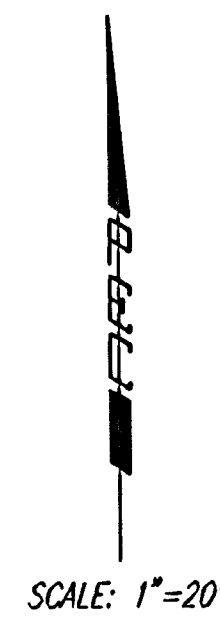
RETAINING WALL PLAN



RETAINING WALL SECTION



PARTIAL SECTION THRU ROUNDABOUT



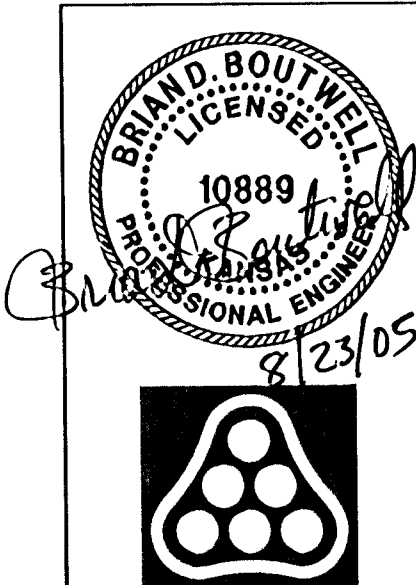
BENDING DIAGRAMS
 All Dimensions are out to out of bars.

REINFORCING STEEL							
Straight Bars				Bent Bars			
Mark	Size	Number	Length	Mark	Size	Number	Length
W1	#4	60	36'-3"	V1	#4	112	10'-6"
				V2	#4	112	2'-10"

SUMMARY OF QUANTITIES	
Concrete (Class AAA)	50.7 C.Y.
Reinforcing Steel (GR. 60)	2,450 Lbs.
Stone Masonry Facing	362 S.F.
Class III Excavation	126 C.Y.

Min. Lap for #4=16"
 **Bend Radial Bars in Field
GENERAL NOTES

- Concrete shall have a minimum 28-day compressive strength of 4,000 psi. Bevel all exposed edges with a 3/4" triangular molding or finish with an approved edging tool.
- All reinforcing steel dimensions are to the centerline of bars unless otherwise noted. All reinforcing steel shall conform to the requirements of ASTM A615, Grade 60.
- White Limestone veneer to be by Born Stone Company, Wichita, KS. (316-838-7788) or approved equal. The color of the Limestone should be coordinated with the color of the brick street near the Roundabout. The color will be approved by the Engineer.
- Retaining walls shall be paid for at the unit price bid per lineal foot of "R.C. Retaining Wall", which shall include concrete, reinforcing steel, structural steel, excavation, forming, backfilling, limestone veneer (including attachments, mortar, and incidentals), and all other miscellaneous materials, labor, tools, equipment and incidentals necessary to complete the work.



No.	Revision	By	Date
	OAK CREEK - PHASE 1		
ROUNDABOUT MISCELLANEOUS DETAILS			
JAMES L. ARMOUR, P.E. - CITY ENGINEER CITY OF WICHITA PROJECT NO. 472-84209 Professional Engineering Consultants, P.A. 303 S. TOPEKA • WICHITA, KANSAS 67202 316-262-2691 • FAX 316-262-3003			
Designed by	BDB, BLB, RAS	Job No.	35-04688-000
Drawn by	BJS	Date	October 2004
			Sheet 20 of 86