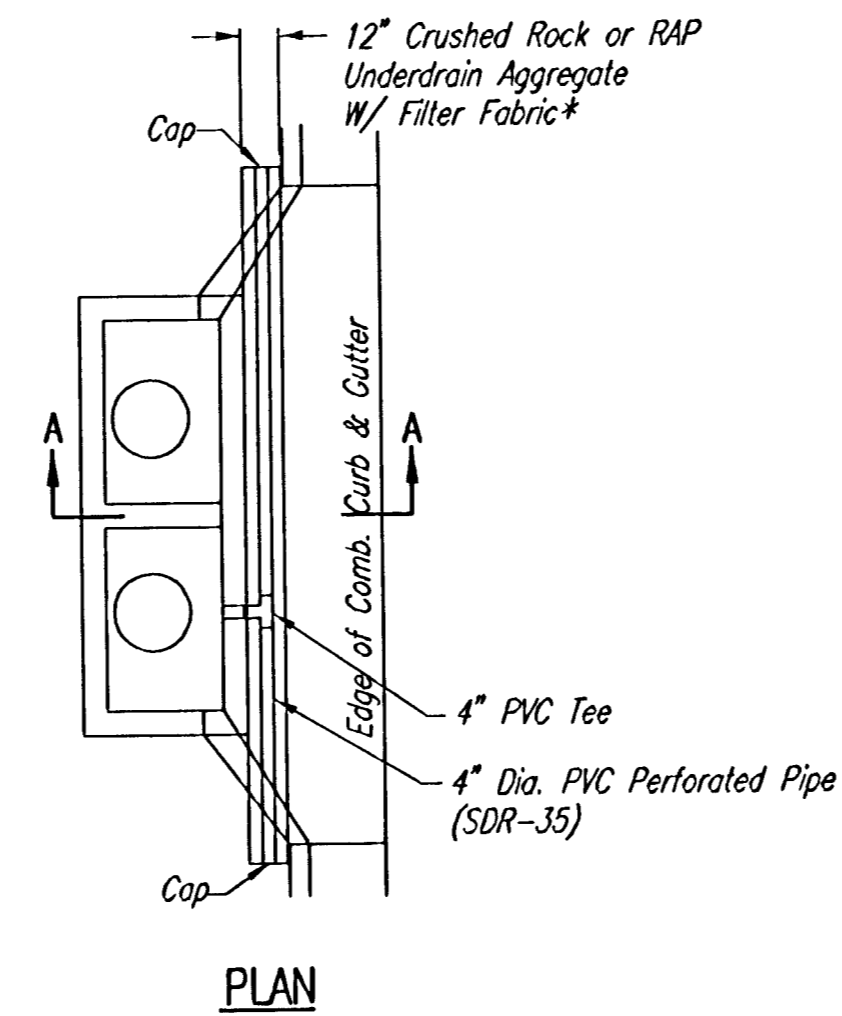


PIPE PLUGGING DETAIL

NOTE: PIPE PLUGS SHALL BE CONSTRUCTED OF BRICK MASONRY, WITH CONSTRUCTION REQUIREMENTS AND MATERIALS CONFORMING TO THE SAME REQUIREMENTS AS SPECIFIED FOR MANHOLE CONSTRUCTION. PIPES HAVING DIAMETERS OF 18" OR SMALLER SHALL BE PLUGGED WITH 8" THICK PLUGS. PIPES HAVING DIAMETERS LARGER THAN 18" SHALL BE PLUGGED WITH 12" THICK PLUGS.

THE CONSTRUCTION OF PIPE PLUGS SHALL NOT BE PAID FOR DIRECTLY, BUT SHALL BE CONSIDERED SUBSIDIARY.



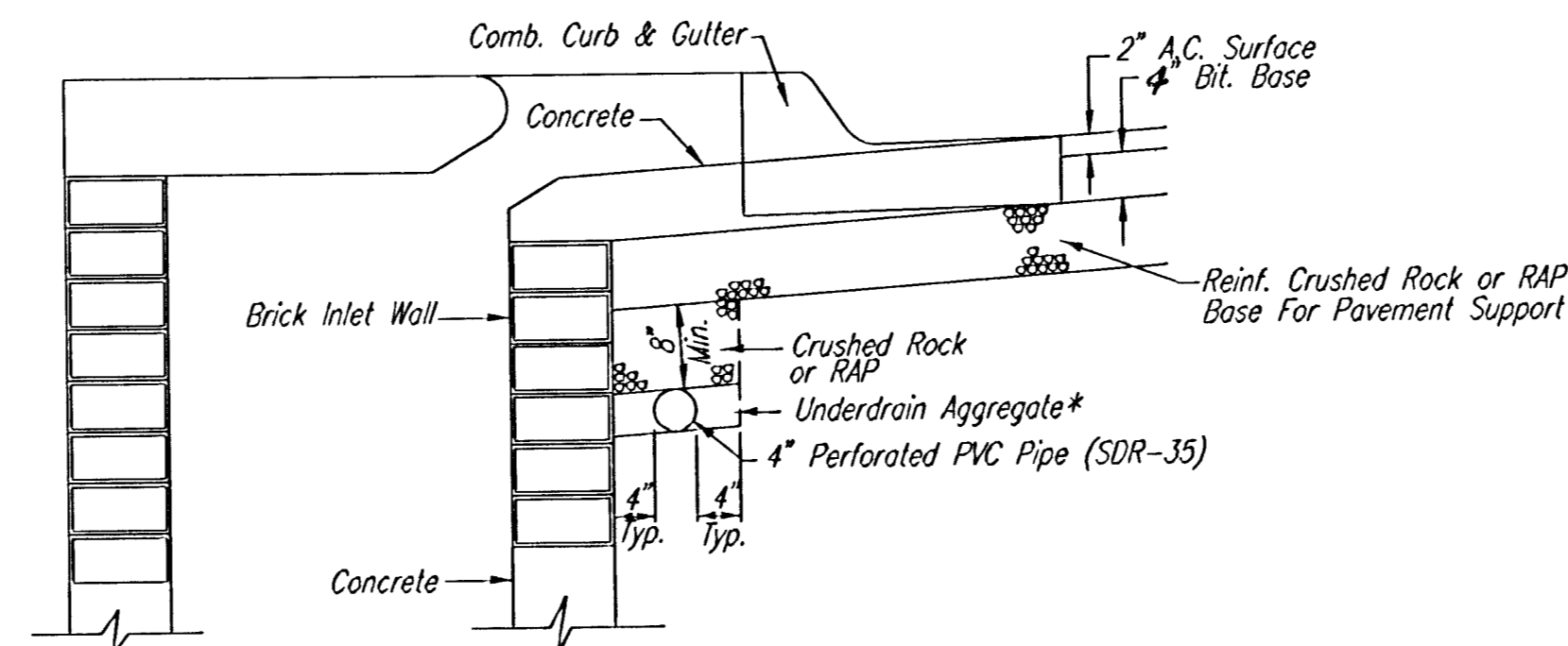
PLAN

* UNDERDRAIN AGGREGATE PERCENT OF AGGREGATE RETAINED

1"	0
3/4"	0-10
3/8"	45-80
#4	90-100
#8	95-100

ROCK QUALITY SHALL CONFORM TO THE REQUIREMENTS SPECIFIED BY THE KDOT 1990 EDITION STANDARD SPECIFICATION SUBSECTION 1102 FOR DURABILITY CLASS I.

PAVEMENT UNDERDRAIN LOCATIONS		
STREET	STATION	SIDE
OAK CREEK PARKWAY	Q Nb. 28+69.00	RT.
OAK CREEK PARKWAY	Q Sb. 29+78.00	LT.
OAK CREEK PARKWAY	Q Nb. 35+15.00	RT.
OAK CREEK PARKWAY	Q Sb. 36+04.70	LT.
CHATEAU PARKWAY	Q Nb. 52+70.13	RT.
CHATEAU PARKWAY	Q Sb. 52+73.66	LT.
CHATEAU PARKWAY	Q Nb. 58+25.00	RT.
CHATEAU PARKWAY	Q Sb. 58+46.20	LT.



SECTION A-A

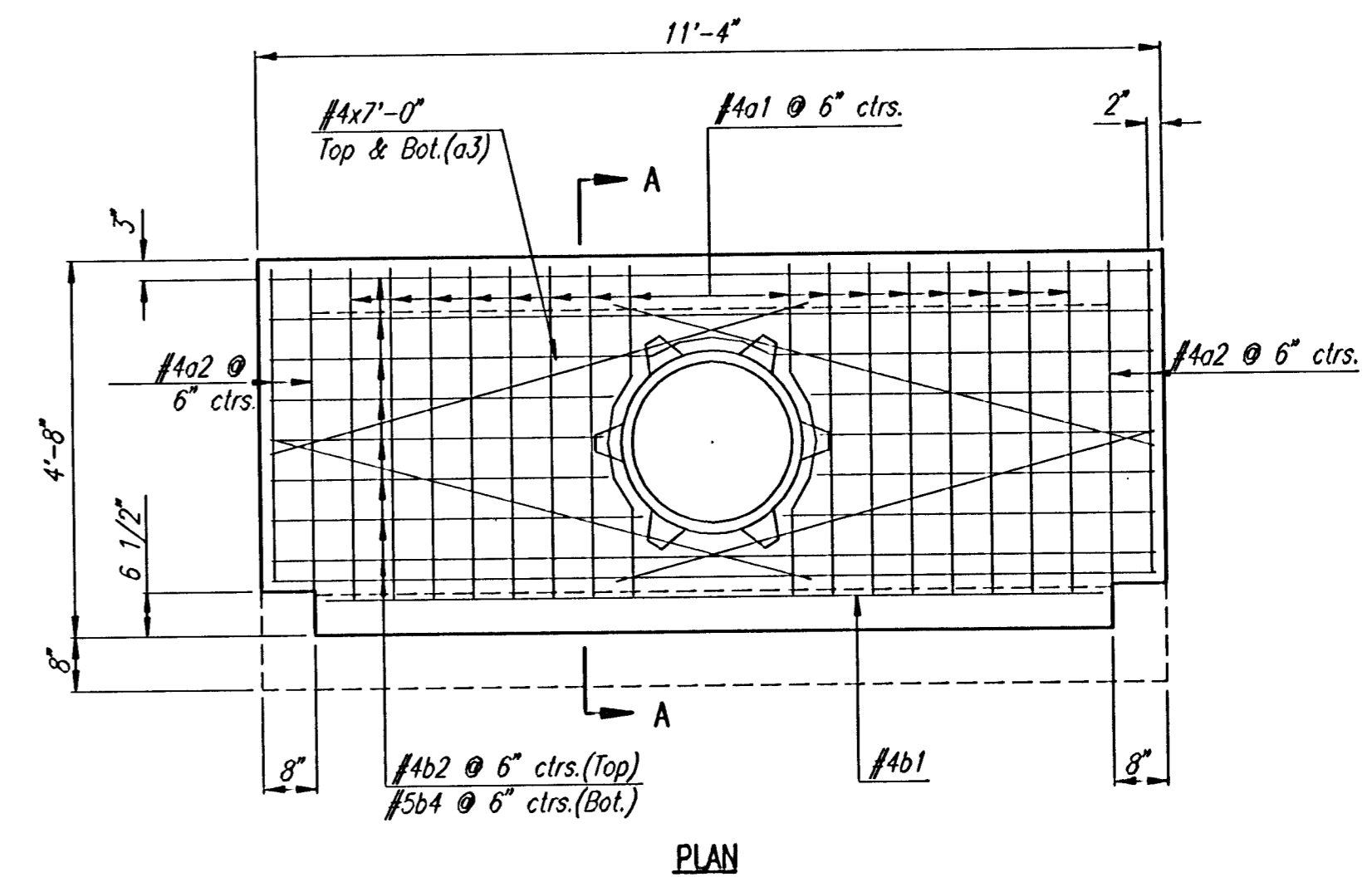
PAVEMENT UNDERDRAIN DETAIL

NOTE: PLACE 4" PVC PERFORATED PIPE AT ALL DRAINAGE SUMP LOCATIONS.

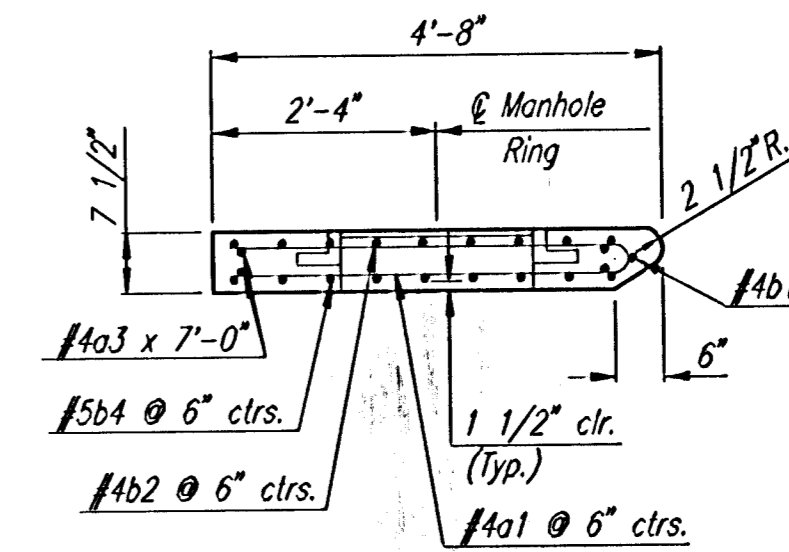
COST OF UNDERDRAIN SYSTEM TO BE INCIDENTAL TO THE REINFORCED CRUSHED ROCK OR REINFORCED RECYCLED ASPHALT PAVEMENT (RAP) BASE.

INLET TYPE MAY VARY FROM THAT SHOWN.

Min. 16 Perforations Per Lin. Ft. @ 1/4" Dia. Perforations To Be on Bottom Half



PLAN

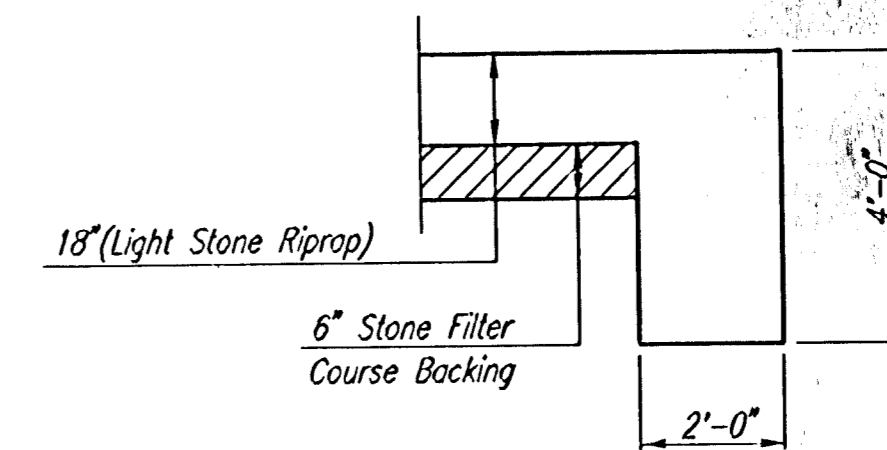


SECTION A-A

SPECIAL TYPE 1A INLET TOP DETAILS

Inlet Sta. 63+87.6 and Sta. 64+49.0 Line No. 6

See Sheet No. 37 for Cast Iron Inlet Ring Details



TYPICAL SECTION THRU TOEWALL
NO SCALE

NOTES

- ALL RIPRAP FOR THIS PROJECT SHALL BE NATURAL STONE. NEITHER BROKEN CONCRETE, FABRIC ENVELOPE, NOR PREMIXED DRY PACKAGED CONCRETE BAG ALTERNATES WILL BE ALLOWED.
- TOEWALLS SHALL BE INSTALLED ALONG ALL EDGES OF STONE RIPRAP, UNLESS SHOWN OTHERWISE IN THE PLANS.
- GROUTING OF THE SURFACE OF THE RIPRAP SHALL NOT BE PERFORMED. GROUTING OF THE TOEWALLS SHALL BE PERFORMED PER CITY SPECIFICATIONS.

DSNR: BLB OPER: BJS SCALE: 1"=10.00
Q:\2004\04688\000\04688-000-C-MISC DRNDTL 08-23-2005 08:45:53 am

No.	Revision	By	Date
OAK CREEK - PHASE 1			

MISCELLANEOUS DRAINAGE DETAILS

JAMES L. ARMOUR, P.E. - CITY ENGINEER
CITY OF WICHITA PROJECT NO. 472-84209

Professional Engineering Consultants, P.A.
303 S. TOPEKA • WICHITA, KANSAS 67202
316-262-2691 • FAX 316-262-3003

Designed by BDB, BLB
Drawn by BJS

Job No. 35-04688-000
Date October 2004

Sheet 38 of 86