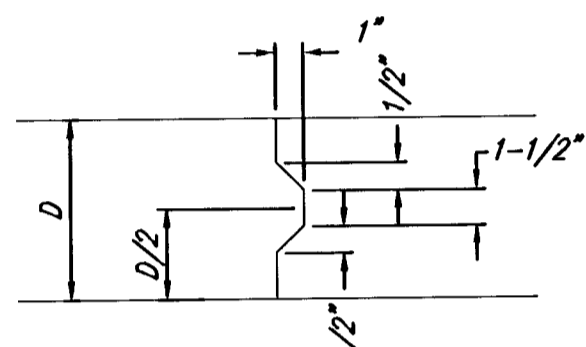
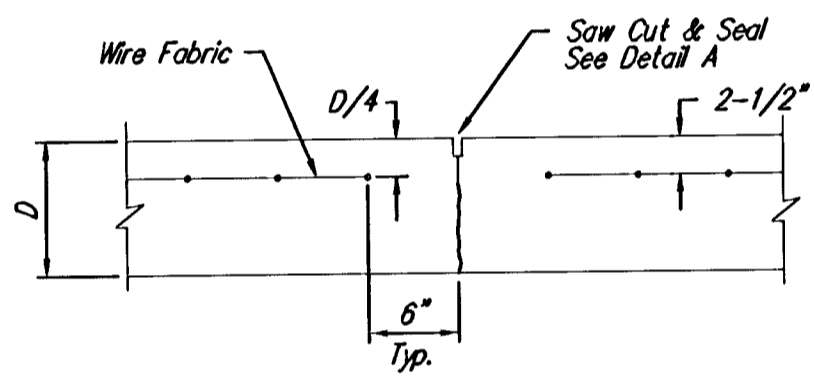


EXPANSION JOINT

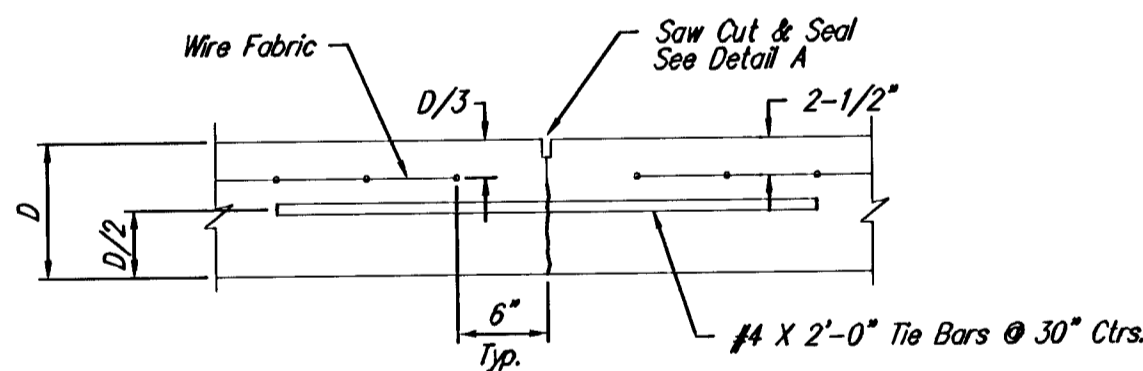
NOTE: Extra Thickness to be Subsidiary to Price of Square Yards Pavement



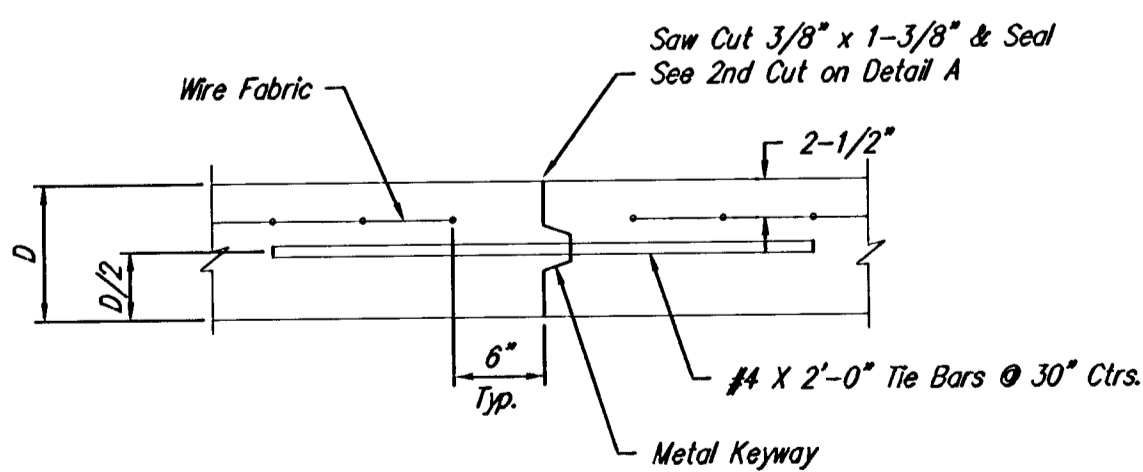
KEYWAY DETAIL



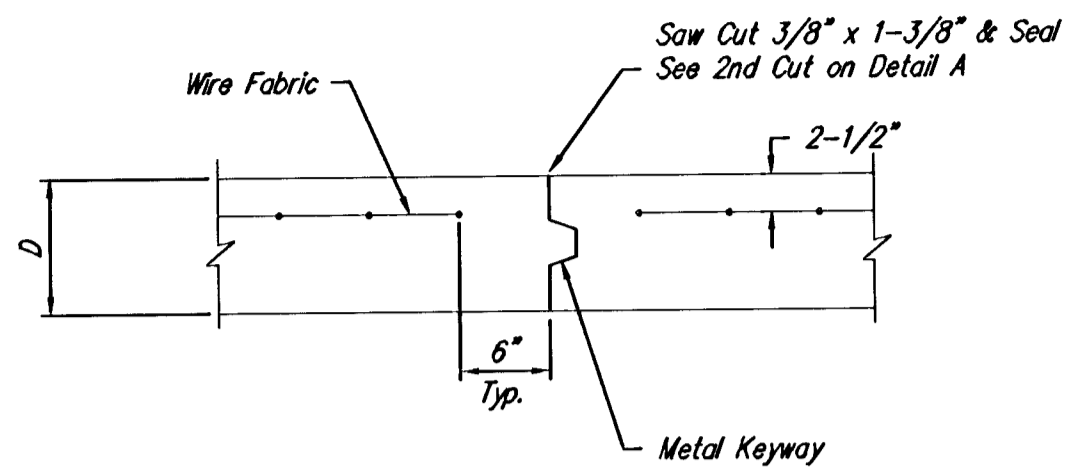
CONTRACTION JOINT DETAIL (C.J.)



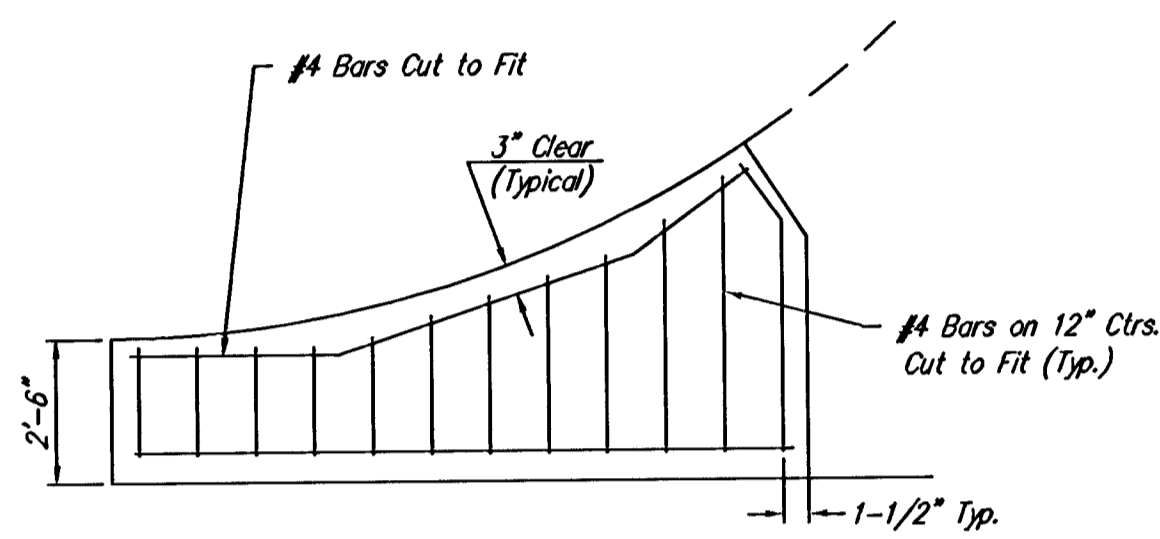
LONGITUDINAL JOINT DETAIL (L.J.)



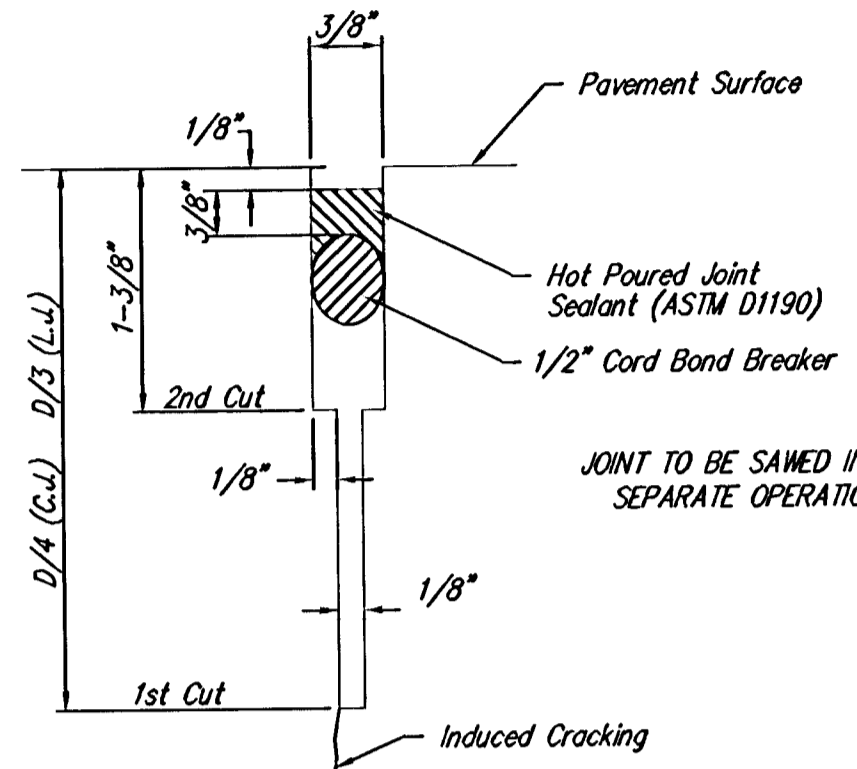
OPTIONAL LONGITUDINAL JOINT DETAIL (L.J.)



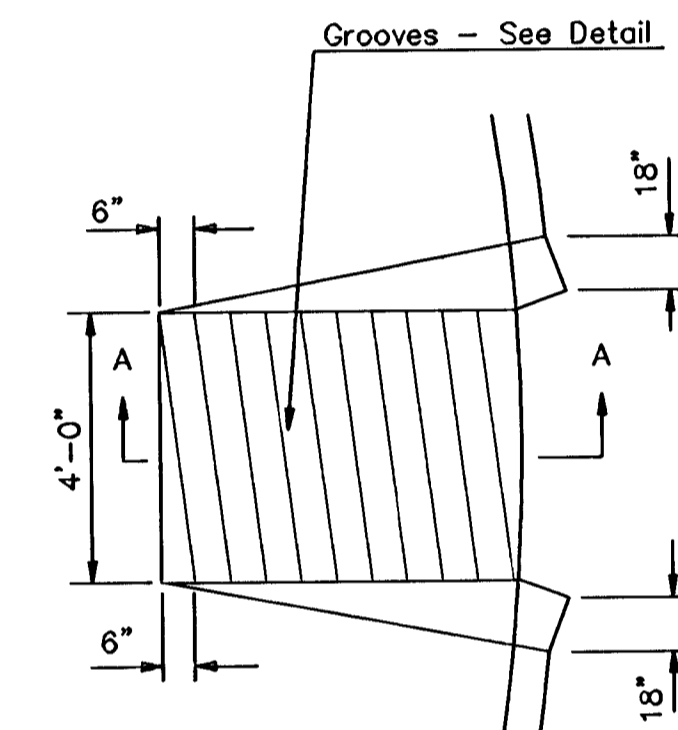
OPTIONAL CONTRACTION JOINT



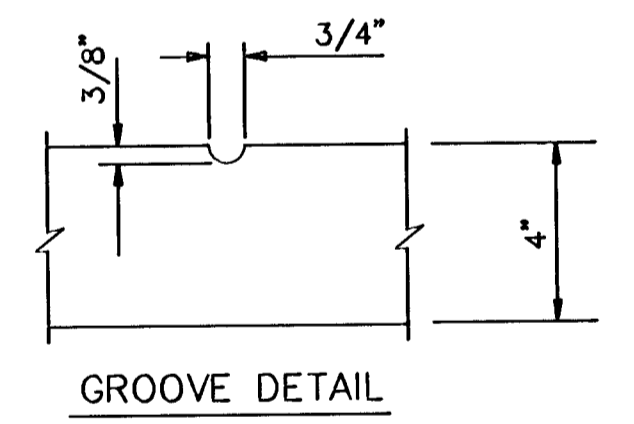
WING REINFORCING DETAIL



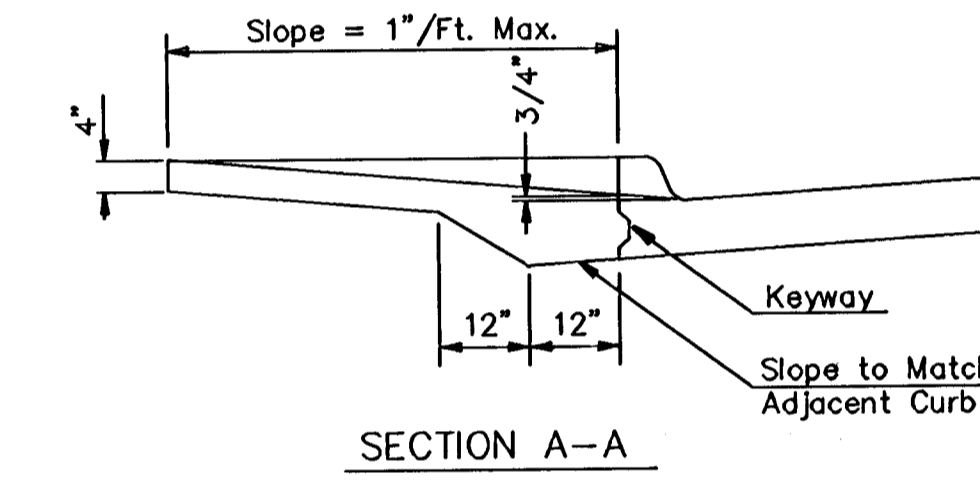
SAW JOINT DETAIL



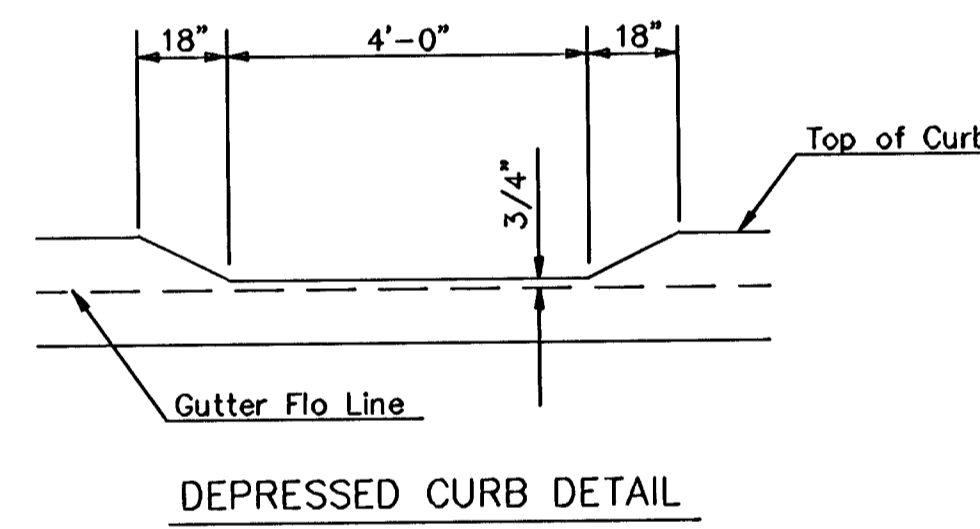
WHEELCHAIR RAMP PLAN VIEW



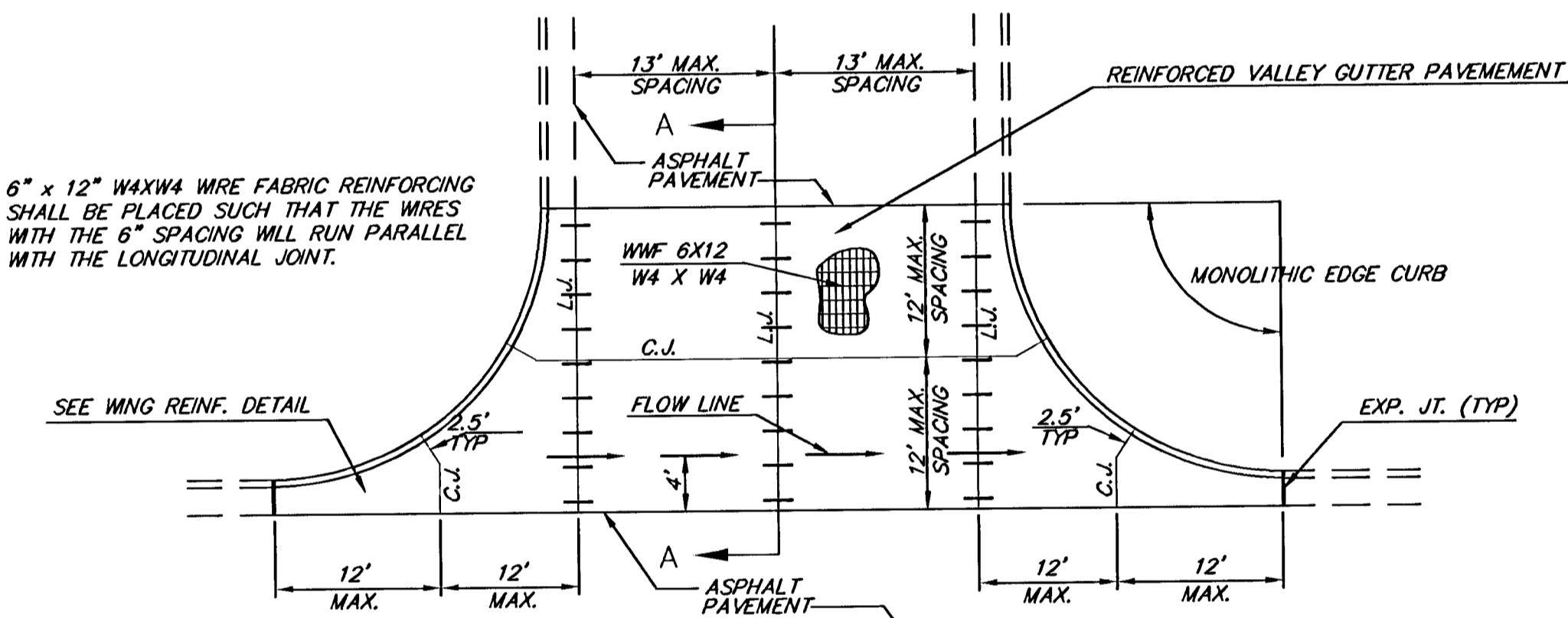
GROOVE DETAIL



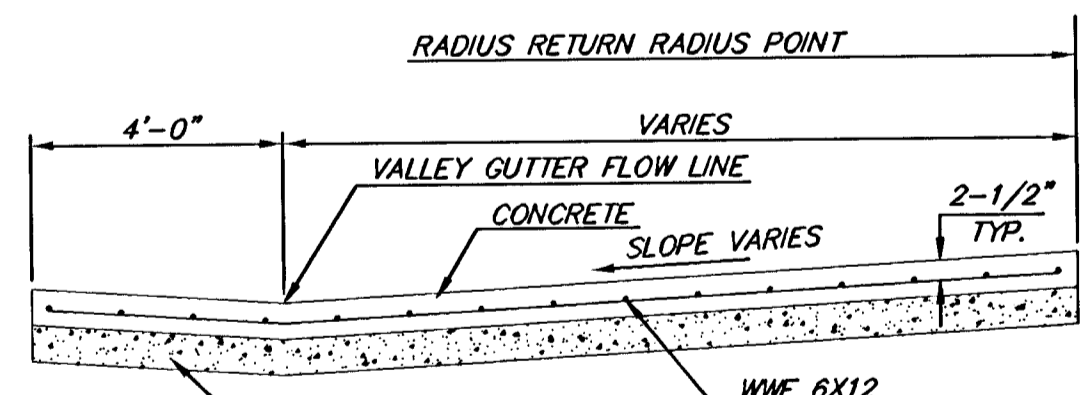
SECTION A-A



DEPRESSED CURB DETAIL



PLAN



SECTION A-A

REINFORCED VALLEY GUTTER DETAIL

WHEELCHAIR RAMP DETAIL

<p>THE CITY OF WICHITA</p> <p>CITY ENGINEER'S OFFICE CITY HALL - SEVENTH FLOOR 422 NORTH MAIN STREET WICHITA, KANSAS 67202 (316) 268-4901 (316) 268-4114 FAX</p>	VALLEY GUTTER DETAILS	
	WHEELCHAIR RAMP DETAILS	
	M. E. LINDEBAK P.E. - CITY ENGINEER	
	PROJECT NUMBER XXX-XXXX	INDEX CODE XXXXXX
DATE MAR 96	SHEET OF	

<p>AM CONSULTING Inc.</p> <p>142 N. Emporia 316/265-2870</p>	PROJECT NUMBER 472-83229	AM NO. 00102	<p>ORME ST. PAVING PLANS</p> <p>VALLEY GUTTER DETAILS</p> <p>WICHITA, KANSAS</p>	SHEET 8
	DESIGN MP	DRAWN SS		FILE vgdH

F:\MPS\DCA\1\08AM\Projects\001\00102\08ans\ngtct.dwg Tue Jan 25 11:00:24 2005 Steve Schmitt-Pie & Associates of Kansas, Inc.