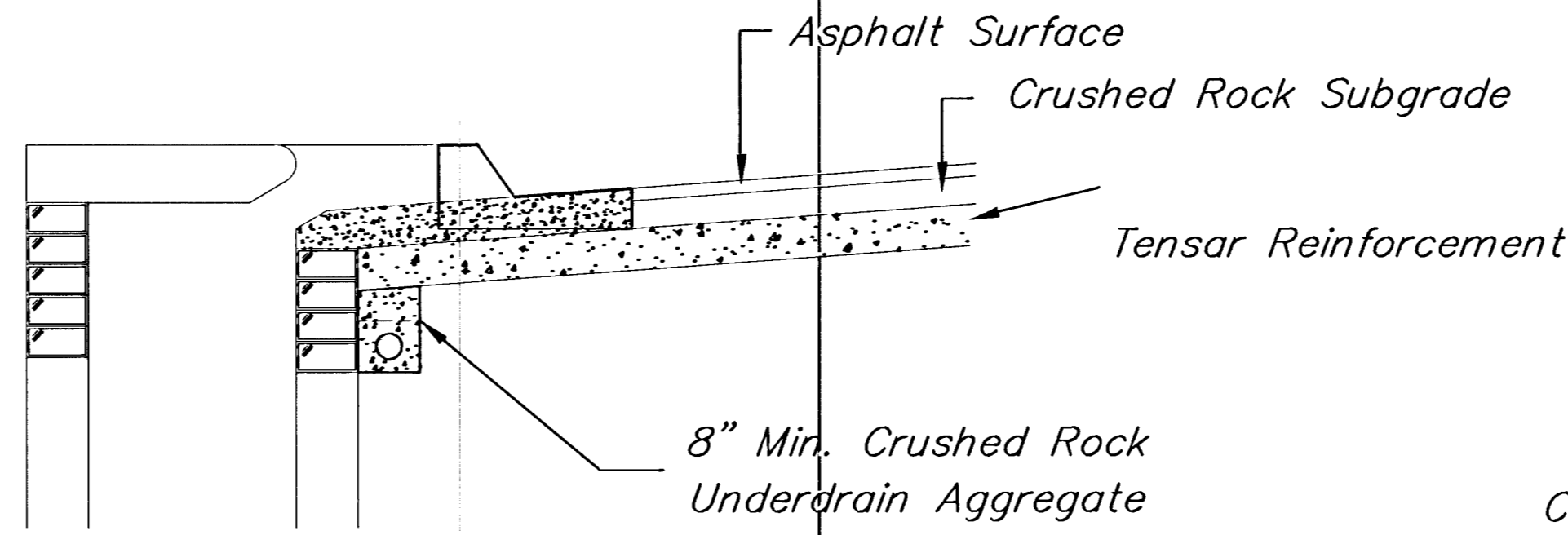


8" Min. Crushed Rock Underdrain Aggregate

(Min. 16 Perforations Per Lin. Ft. @ 1/4" Dia.)
Perforations To Be on Bottom Half

SECTION A-A

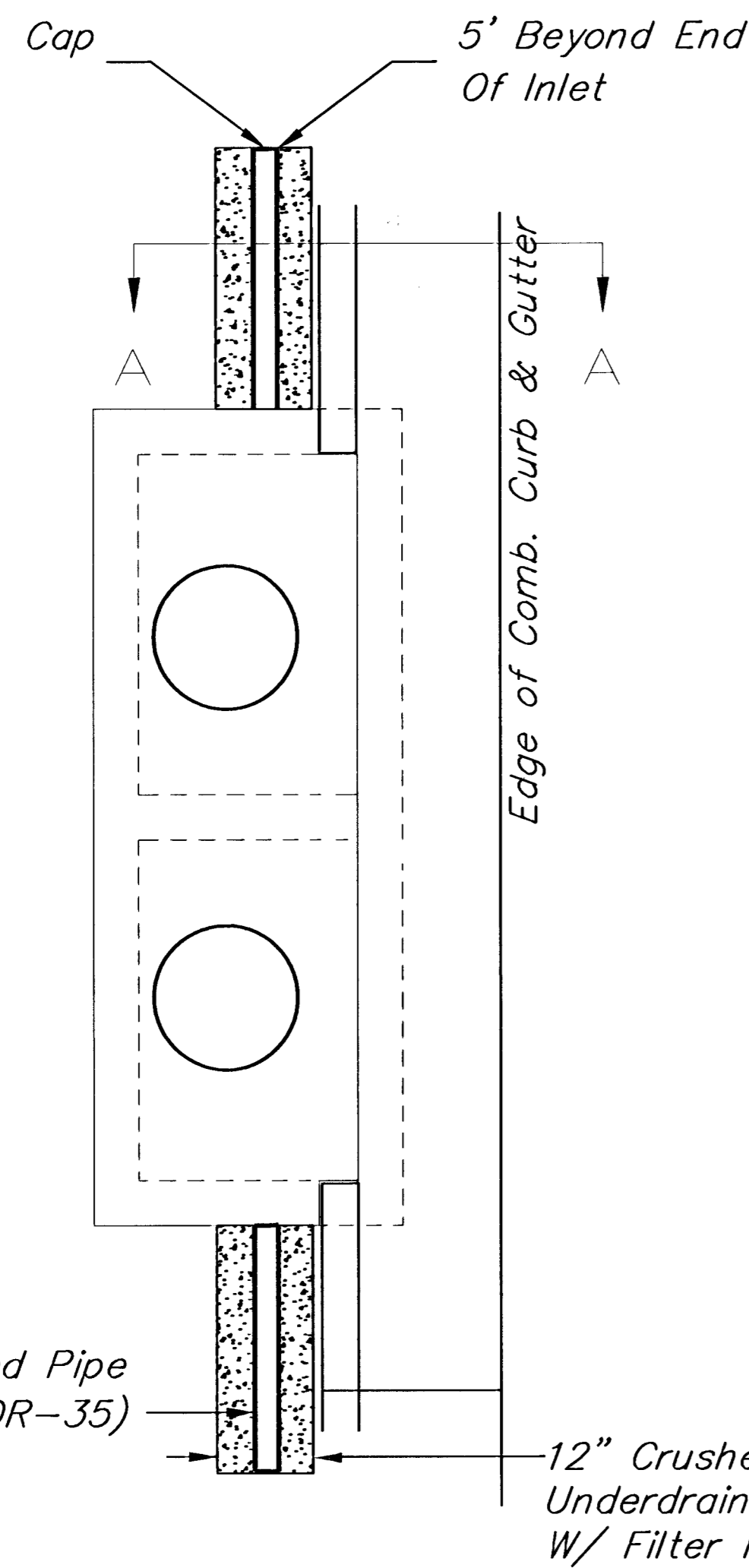


8" Min. Crushed Rock Underdrain Aggregate

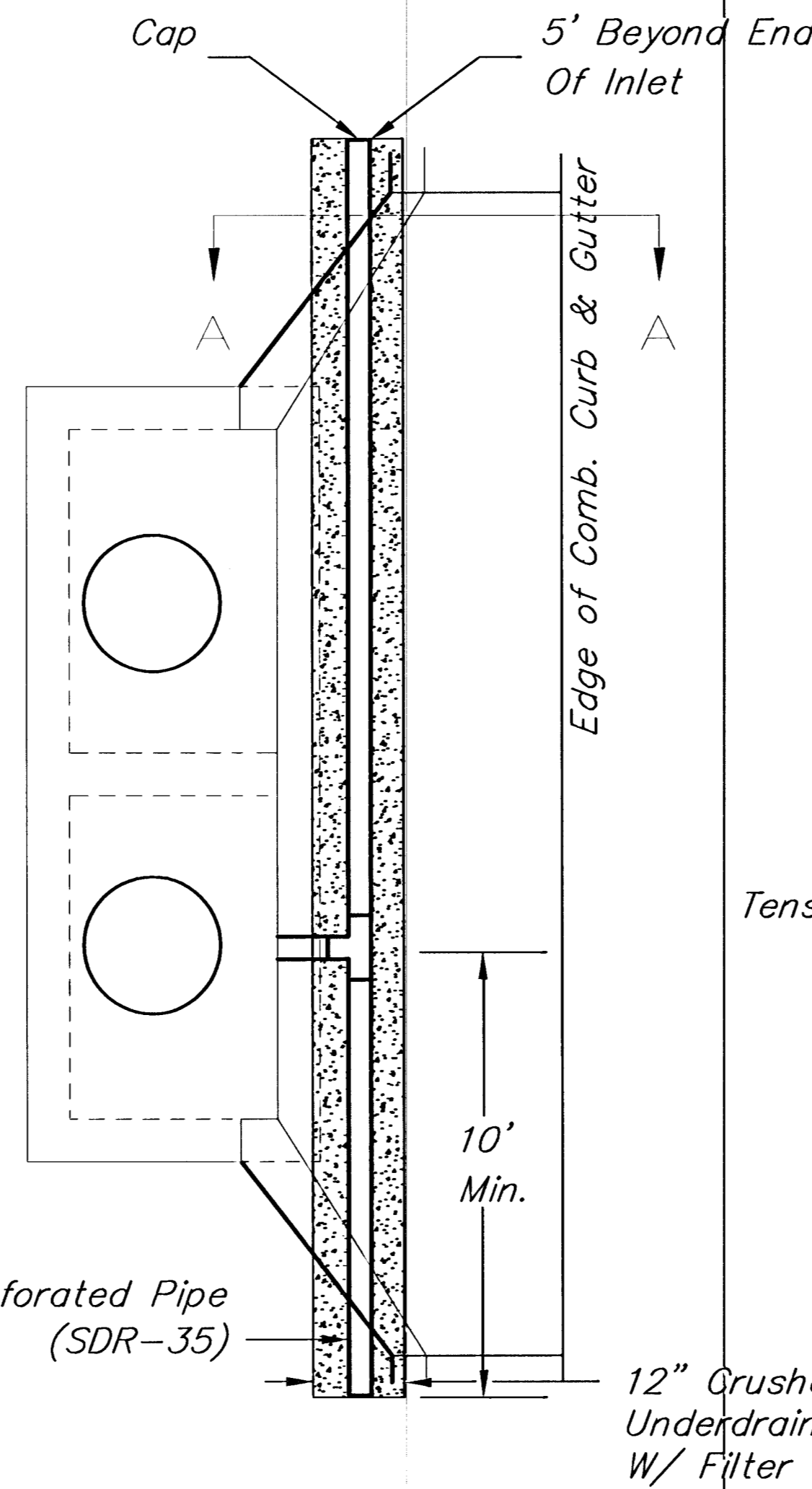
CRUSHED ROCK GRADATION REQUIREMENTS
Percent of Aggregate Retained

| | |
|--------|-------|
| 1 1/2" | 0 |
| 3/4" | 15-60 |
| # 4 | 40-80 |
| #40 | 74-92 |
| P-200 | 4-12 |

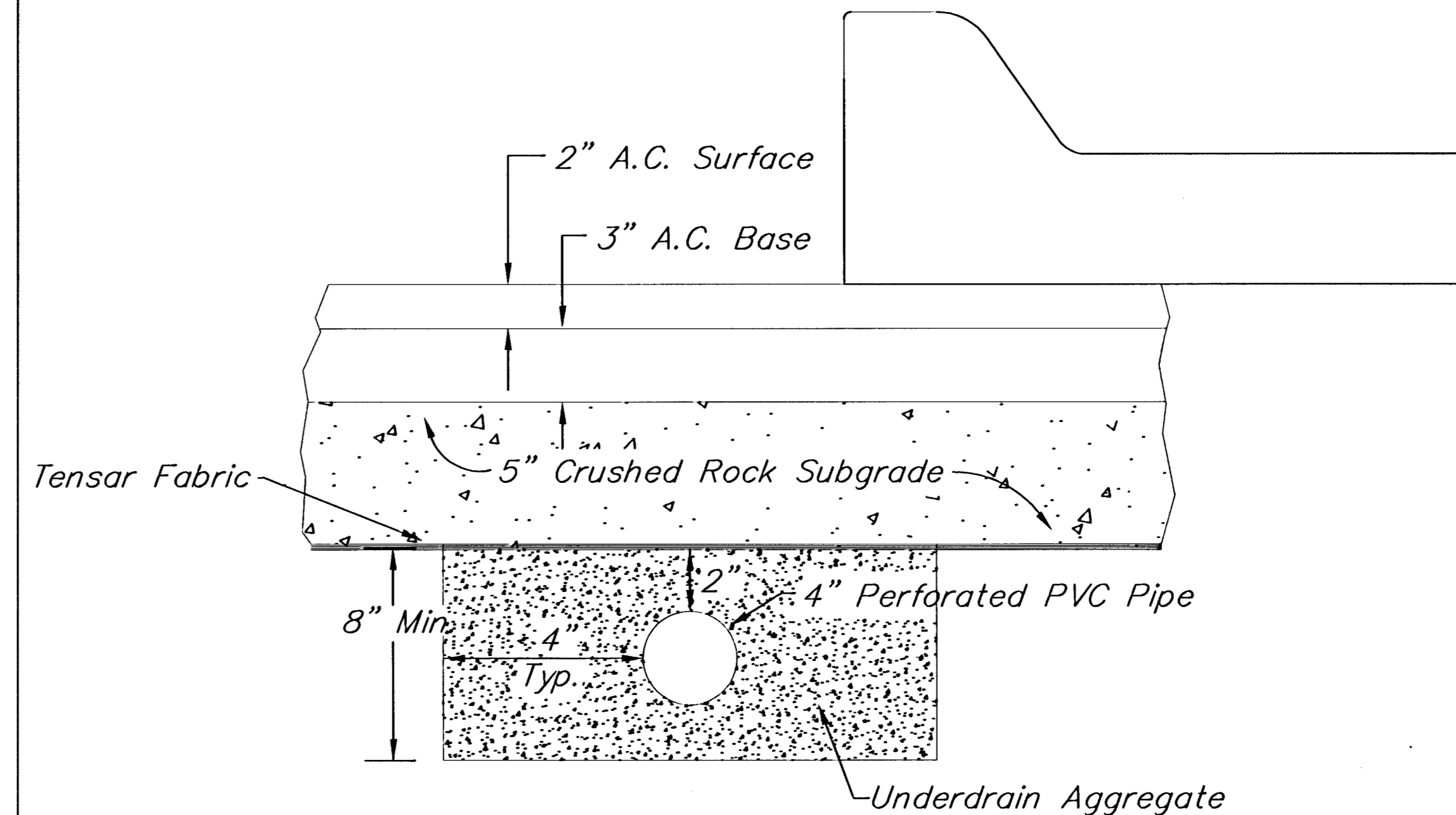
Rock Quality Shall Be The Same As Specified
For Coarse Aggregate For Asphalt Concrete Mixes.



Type 1 & 2 Inlet



Type 1-A Inlet

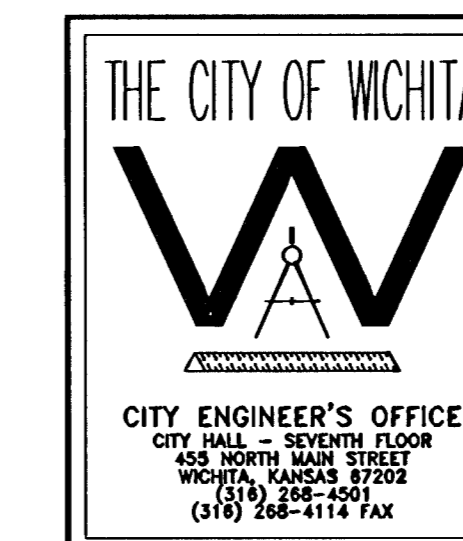


PAVEMENT UNDERDRAIN DETAIL

NOTE: Place 4" PVC Perforated Pipe at all drainage sump locations.

Cost of Underdrain System to be incidental to the Reinforced Crushed Rock Subgrade.

REV. 11-22-00, MCG



| | |
|---------------------------------------|----------------------|
| PAVEMENT UNDERDRAIN DETAIL | |
| JAMES L. ARMOUR, P.E. - CITY ENGINEER | |
| PROJECT NUMBER 472-83430 | INDEX CODE 765969 |
| DATE MAR 98 | SHEET 65 OF 78 |

FINAL

Designed By: JMU/JPD
Drawn By: JPD
Poe Job No.: 1694J
Date: January 2006

POE & ASSOCIATES, INC.
CONSULTING ENGINEERS
5940 E Central, Suite 200 ■ Wichita, KS 67208-4242
Phone 316.685-1114 ■ FAX 316.685-4444

EQUESTRIAN ESTATES ADDITION - PHASE 2
STREET IMPROVEMENTS
PAVEMENT UNDERDRAIN DETAILS
CITY OF WICHITA, KANSAS
JAMES L. ARMOUR, P.E. - CITY ENGINEER
C.O.N. Project # 472-83430 C.C.A. # 765969

| | | | | |
|-----|------|----|----------|----------|
| No. | Date | By | Approved | Revision |
| | | | | |
| | | | | |
| | | | | |