

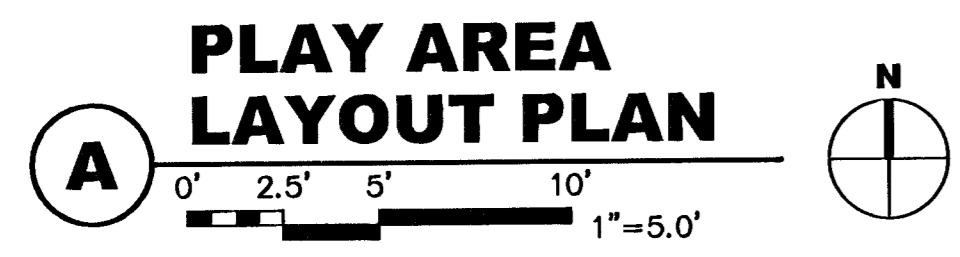
Pt. North	East	Pt. North	East		
249	22372.82	19590.59	280	22344.96	19584.29
250	22370.94	19588.71	281	22343.90	19585.35
251	22372.11	19591.63	282	22343.01	19588.23
252	22370.99	19590.53	283	22350.08	19593.30
253	22368.23	19596.13	284	22350.98	19592.42
254	22365.40	19593.30	285	22352.02	19591.36
255	22367.75	19598.49	286	22352.91	19590.47
256	22365.40	19598.96	287	22362.12	19613.50
257	22362.57	19596.13	288	22360.00	19615.82
258	22360.28	19603.35	289	22370.54	19621.93
259	22358.18	19601.25	290	22368.42	19624.05
260	22354.12	19597.19	291	22376.85	19632.48
261	22353.03	19598.09	292	22378.97	19630.36
262	22359.74	19593.30	293	22379.70	19643.81
263	22356.91	19590.47	294	22378.60	19642.71
264	22362.57	19590.47	295	22375.81	19649.42
265	22359.74	19587.65	296	22372.99	19646.59
266	22363.45	19589.59	297	22370.18	19649.42
267	22360.82	19586.76	298	22369.33	19651.66
268	22366.28	19586.76	299	22370.75	19653.08
269	22363.45	19583.93	300	22372.99	19652.25
270	22367.16	19585.88	301	22375.81	19655.08
271	22364.33	19583.05	302	22378.84	19652.25
272	22368.19	19582.01	303	22381.00	19652.72
273	22370.51	19583.87	304	22381.47	19655.08
274	22369.99	19585.60	305	22378.84	19657.91
275	22366.08	19577.97	306	22385.38	19660.69
276	22357.36	19570.04	307	22384.26	19661.79
277	22349.13	19565.29	308	22373.10	19662.50
278	22345.84	19570.99	309	22371.22	19660.62
279	22345.84	19583.40			

**NOTES**

- 1 THE SITE PLAN PROVIDED MUST BE CHECKED AGAINST THE ACTUAL SITE AREA TO INSURE THAT THE PLACEMENT OF YOUR STRUCTURE MEETS THE REQUIRED CLEARANCES.
- 2 THERE MUST BE A MINIMUM DISTANCE OF 6' BETWEEN ANY OBSTACLE, SIDEWALK, ETC., AND YOUR STRUCTURE.
- 3 SWINGS MUST HAVE A MINIMUM DISTANCE EQUAL TO 2 TIMES THE SWING TOP RAIL HEIGHT IN FRONT OF AND BEHIND THE TOP RAIL. (EX: FOR SWINGS WITH 8' HIGH TOP RAIL, MUST HAVE 16' IN FRONT OF AND BEHIND THE TOP RAIL - 32' TOTAL.)
- 4 SLIDES MUST HAVE A MINIMUM DISTANCE AT THE EXIT CHUTE EQUAL TO THE HEIGHT OF THE SLIDE PLUS 4'. (EX: FOR A 4' HIGH SLIDE, THE DISTANCE EQUALS 8'.)
- 5 THE COMPLETE AREA, INCLUDING THE SPACE UNDER AND AROUND THE EQUIPMENT, MUST BE COVERED WITH AN IMPACT ATTENUATING MATERIAL. SEE THE 1991 PUBLICATION OF "HANDBOOK FOR PUBLIC PLAYGROUND SAFETY" PUBLISHED BY THE U.S. CONSUMER PRODUCT SAFETY COMMISSION FOR GUIDELINES AND RECOMMENDATIONS ON THE TYPE AND DEPTH OF SURFACING MATERIAL. FOR A COPY OF THE "HANDBOOK FOR PUBLIC PLAYGROUND SAFETY" WRITE TO: U.S. CONSUMER PRODUCT SAFETY COMMISSION OFFICE OF INFORMATION AND PUBLIC AFFAIRS WASHINGTON, D.C. 20207
- 6 PAVED SURFACES, SUCH AS ASPHALT AND CONCRETE, ARE NOT ACCEPTABLE FOR USE UNDER YOUR STRUCTURE.
- 7 IT IS THE CONSUMER'S RESPONSIBILITY TO CHECK WITH LOCAL UTILITIES PRIOR TO EXCAVATING FOOTINGS FOR ANY UNDERGROUND UTILITY LINES THAT MAY EXIST WITHIN THE INSTALLATION AREA.
- 8 IT IS THE CONSUMER'S RESPONSIBILITY TO CHECK LOCAL SOIL CONDITIONS AND DRAINAGE WITHIN THE SITE AREA. INQUIRE WITH LOCAL CONTRACTORS FOR APPROPRIATE RECOMMENDATIONS.
- 9 READ COMPLETELY THE INSTALLATION INSTRUCTIONS PROVIDED WITH YOUR STRUCTURE PRIOR TO BEGINNING CONSTRUCTION.

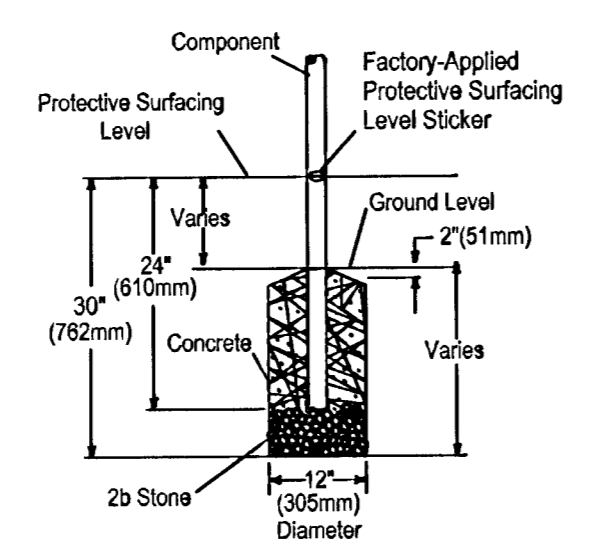
**FOOTING LEGEND**  
 ⊕ = COMPONENT FOOTING  
 ⊕ = SPIRAL SLIDE CENTER POST FOOTING  
 ⊕ = SUPPORT POST FOOTING (112" INDICATES POST LENGTH)  
 ⊕ = CANTILEVER & "T" POST FOOTING  
 ⊕ = GROUND ZERO POST FOOTING (144" INDICATES POST LENGTH)

**NOTE:**  
 DIMENSIONS ARE FOR LOCATIONS OF FOOTING HOLES. NOT EXACT PLACEMENT OF EQUIPMENT ASSEMBLY, PLUMB, AND LEVEL EQUIPMENT BEFORE POURING CONCRETE.

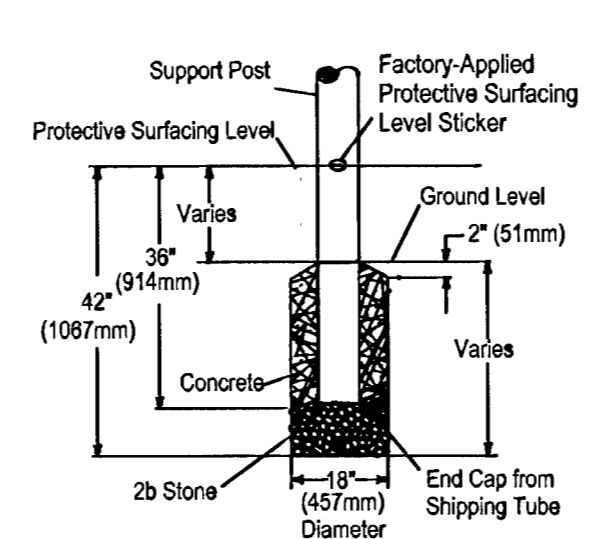


**Control Points**

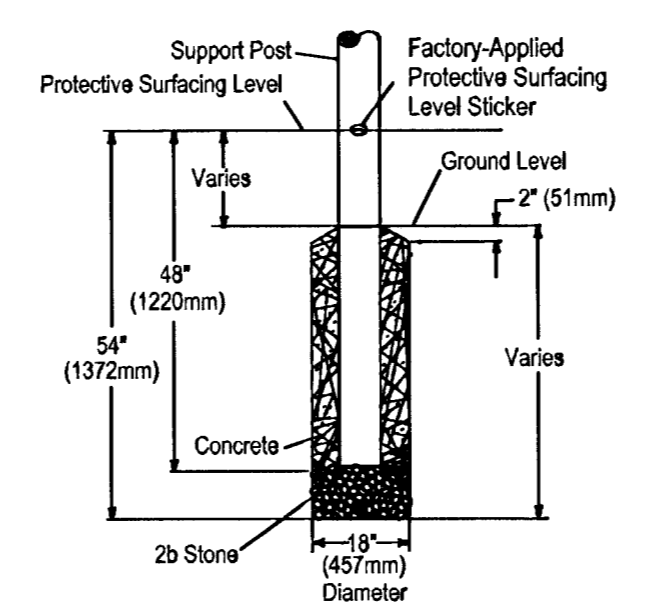
Pt. North	East	
CP1	21261.49	17328.42
CP2	21324.81	17335.22
CP3	21847.62	17135.18
CP4	22312.96	17649.23
CP5	21847.62	18647.76
CP6	21376.61	18648.22
CP7	22742.50	20000.04



**1 COMPONENT FOOTING**  
 NOT TO SCALE



**2 SUPPORT POST & SPIRAL SLIDE FTG.**  
 NOT TO SCALE



**3 GROUND ZERO, CANTI-LEVER, "T" POST FTG.**  
 NOT TO SCALE



**GROSSENER ARCHITECTURE**  
 GROVE PARK IMPROVEMENTS  
 PROJECT NAME

**M.K.E.C.**  
 PLAY AREA LAYOUT PLAN  
 SHEET TITLE

DESIGN BY: SRB  
 DRAWN BY: LES  
 CHECKED BY: TDM

DATE: OCTOBER 2001  
 JOB NO.: 1003.010  
 SHEET/OF: C1404 / 50

411 N. WEBB ROAD  
 WICHITA, KS. 67206  
 (316) - 884-9800