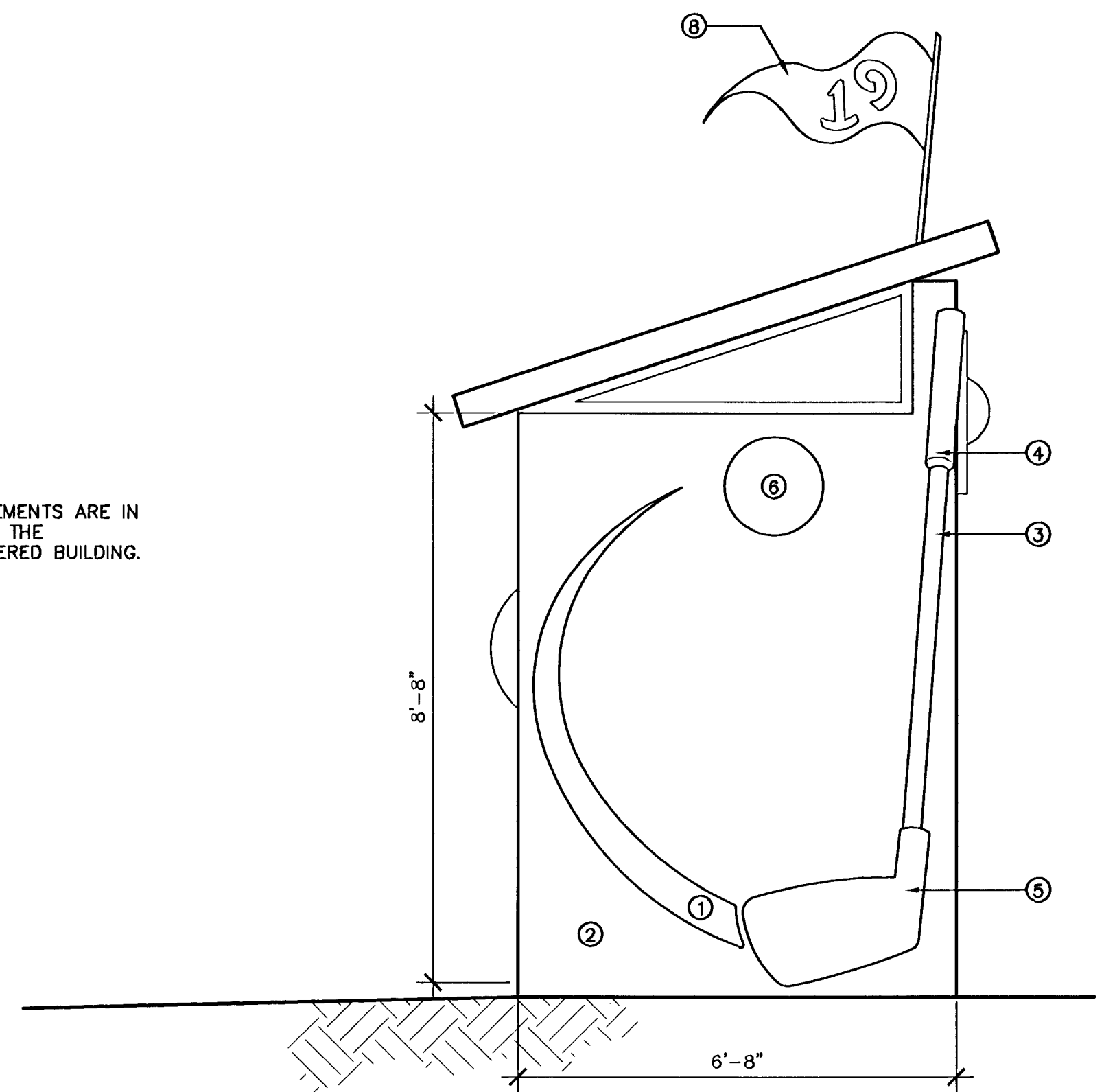
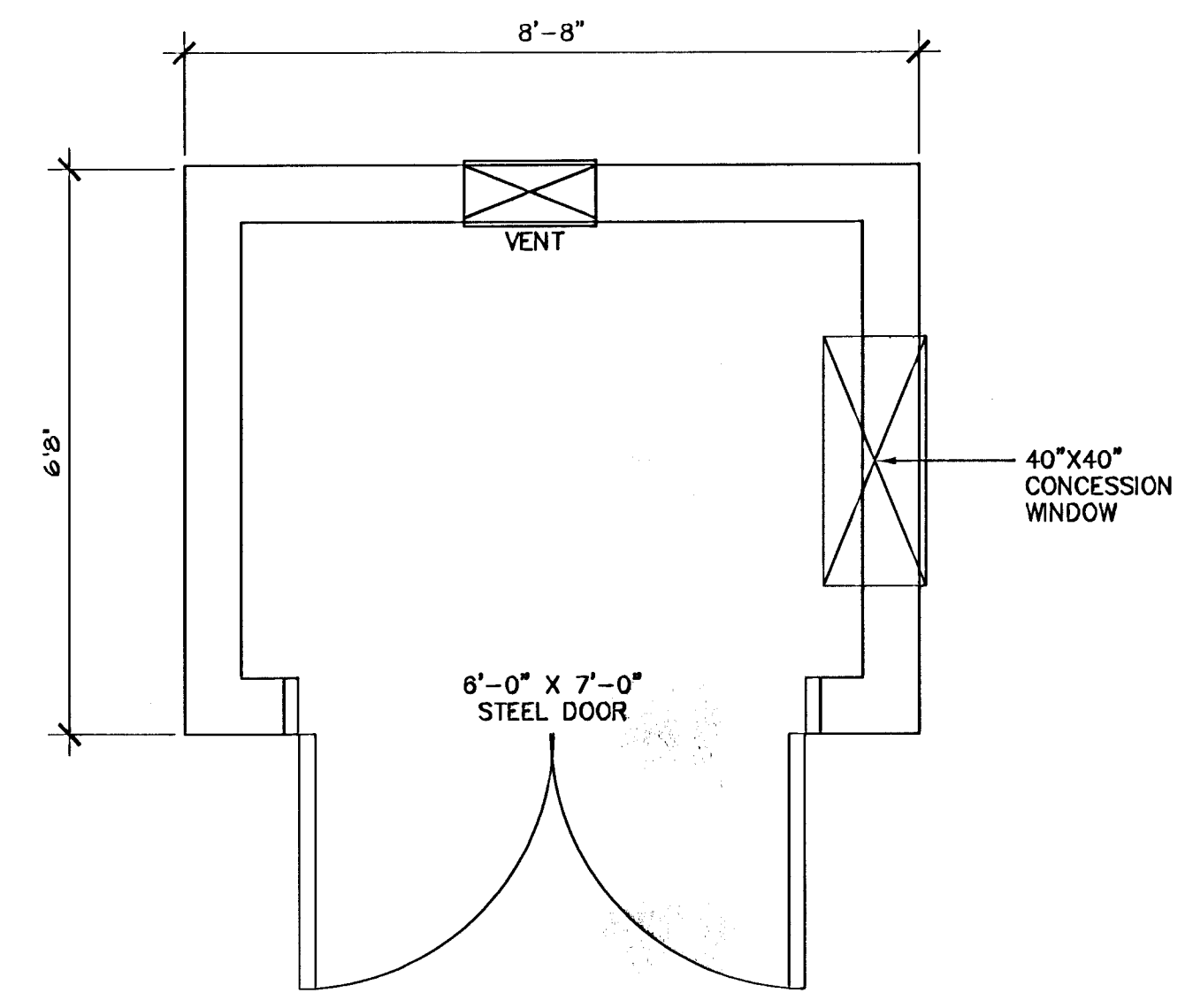


**1 NORTHEAST ELEVATION**  
 0' 1' 2' 3' 1/2"=1'-0"

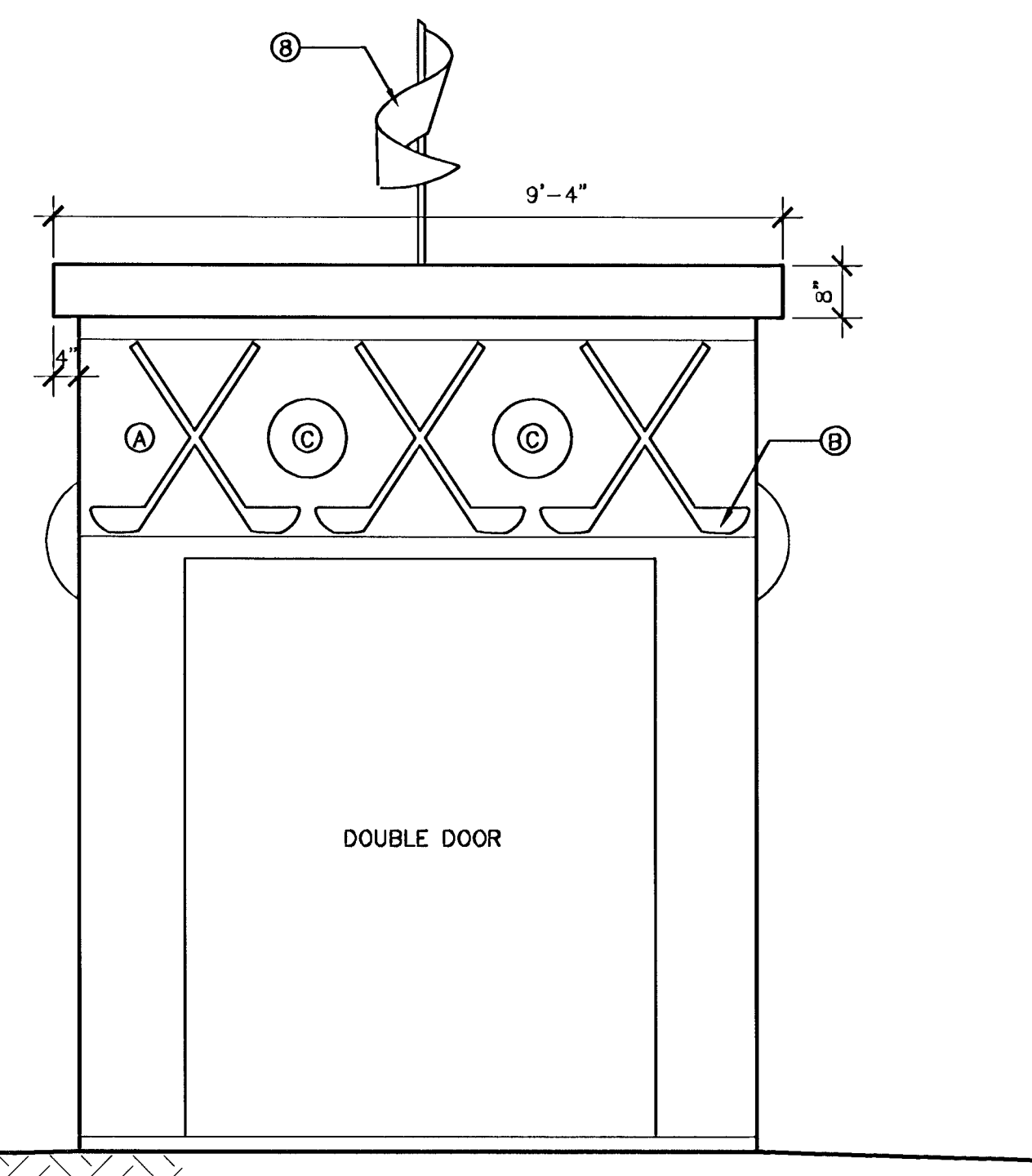
NOTE:  
 ALL ART ELEMENTS ARE IN  
 ADDITION TO THE  
 PRE-ENGINEERED BUILDING.



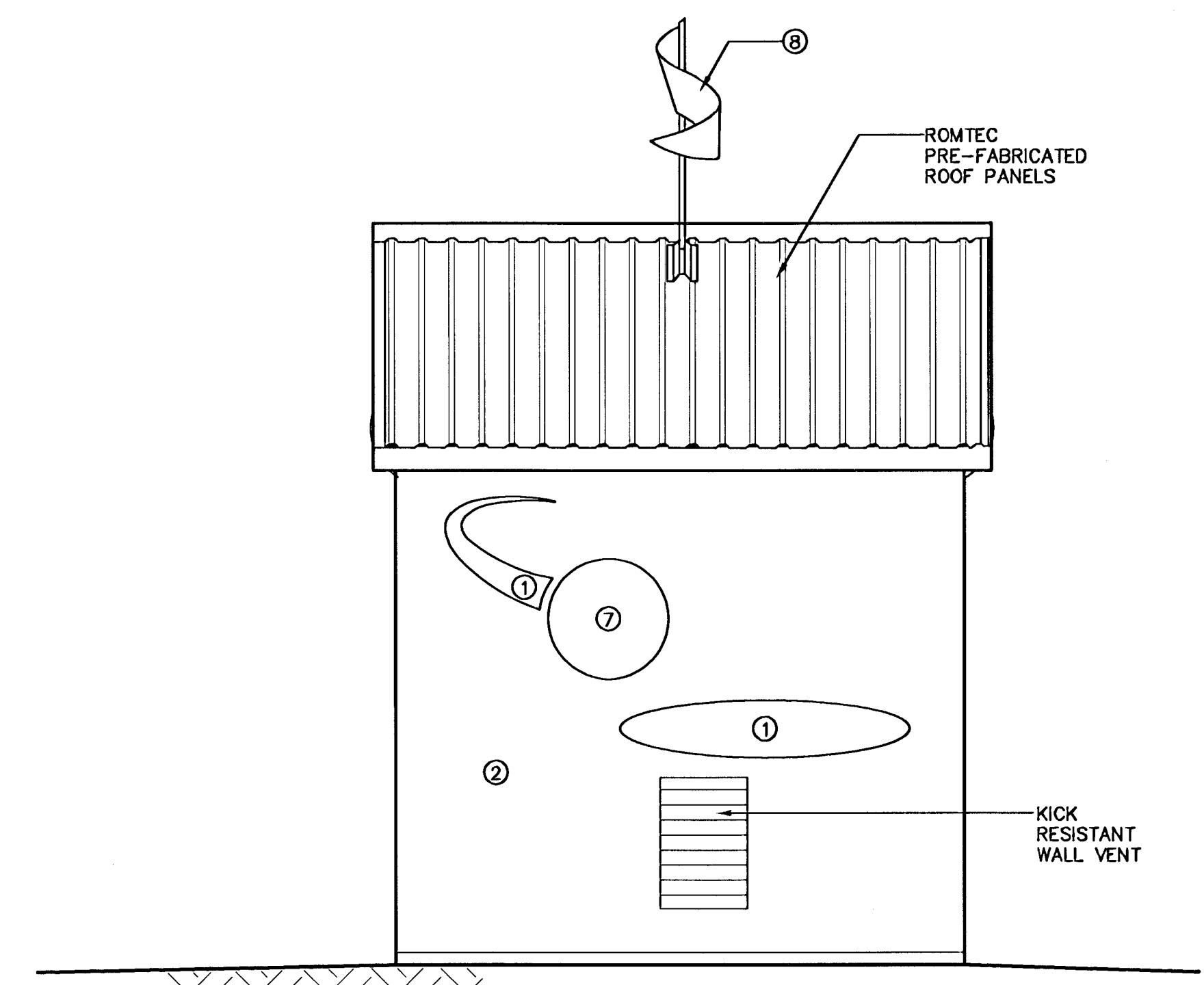
**2 SOUTHEAST ELEVATION**  
 0' 1' 2' 3' 1/2"=1'-0"



**5 FLOOR PLAN**  
 0' 1' 2' 3' 1/2"=1'-0"



**3 SOUTHWEST ELEVATION**  
 0' 1' 2' 3' 1/2"=1'-0"



**4 NORTHWEST ELEVATION**  
 0' 1' 2' 3' 1/2"=1'-0"

- FOAM BUILD UP  
 (A) 2" FOAM APPROX. 105" x 30" (LEVEL 1)  
 (B) 2" FOAM (LEVEL 2)  
 (C) 12" SPHERE SECTION - 4" THICK (LEVEL 2)

- LEGEND  
 (1) BASE WALL (PAINT BLACK)  
 (2) 1" THICK (ALL SIDES)  
 (3) 1" THICK  
 (4) 2" THICK  
 (5) 3" THICK  
 (6) 18" SPHERE SECTION - 5" THICK  
 (7) 22" SPHERE SECTION - 5" THICK  
 (8) ATTACHMENT SIMILAR TO RESTROOM YARD MARKERS

GENERAL NOTE:  
 1. THE ARTIST CONSULTANT WILL BE AVAILABLE TO BE ON SITE TO DIRECT PLACEMENT OF FOAM SHAPES AND OTHER ART ELEMENTS.



GROVE PARK IMPROVEMENTS  
 PROJECT NAME

STARTER SHACK DETAILS  
 SHEET TITLE

DESIGN BY: LES  
 DRAWN BY: TDM  
 CHECKED BY:  
 DATE: OCTOBER 2001  
 JOB NO.: 1003.010  
 SHEET/OF: C1504 / 50

GossenLivingston  
 Architecture  
 1020 S. Lincoln  
 Wichita, KS 67208  
 Tel: 316-261-1100  
 Fax: 316-261-9848

M.K.E.C.  
 411 N. WEBB ROAD  
 WICHITA, KS. 67208  
 (316) - 884-9800