

EX. 1345.0
TC 1344.42
SG 1343.03

EX. 1346.0
TC 1345.43
SG 1344.04

EX AVG. 1345.8
SG AVG. 1343.78
CUT 2.02

EX. 1346.0
TC 1345.39
SG 1344.0

EX. 1346.0
TC 1345.47
SG 1344.08

AREA TOTAL = 2666.4 S.F.
AVG. DEPTH OF CUT = 2.02
AVG. DEPTH OF FILL = 0
VOLUME = (CUT) 20.0 C.Y. (FILL) 0 C.Y.

CUT C.Y.	FILL C.Y.	C.F. C.Y.	M.F. C.Y.
4785.6	3054.6	2441.7	0.0
PROJECT TOTAL =			

EX. 1342.6
TC 1342.57
SG 1341.18

EX. 1341.8
TC 1341.79
SG 1340.40

EX. 1341.7
TC 1341.41
SG 40.02

EX. 1340.5
TC 1341.47
SG 1340.08

EX AVG. 1342.25
SG AVG. 1340.53
CUT 1.72

EX. 1342.8
TC 1342.57
SG 1341.18

EX. 1341.6
TC 1340.56
SG 1339.17

AREA TOTAL = 2072.0 S.F.
AVG. DEPTH OF CUT = 1.72
AVG. DEPTH OF FILL = 0.0
VOLUME = (CUT) 131.6 C.Y. (FILL) 0.0 C.Y.

EX. 1340.6
TC 1341.47
SG 1340.08

EX. 1341.0
TC 1342.07
SG 1340.68

EX. 1340.5
TC 1341.47
SG 1340.08

EX. 1341.50
TC 1342.35
SG 1340.96

EX. 1341.8
TC 1340.56
SG 1339.17

EX AVG. 1341.2
SG AVG. 1340.02
CUT 1.18

AREA TOTAL = 1856.7 S.F.
AVG. DEPTH OF CUT = 1.18
AVG. DEPTH OF FILL = 0.0
VOLUME = (CUT) 81.14 C.Y. (FILL) 0.0 C.Y.

EX. 1342.8
TC 1342.75
SG 1341.36

EX. 1343.1
TC 1343.35
SG 1341.96

EX. 1342.4
TC 1342.75
SG 1341.36

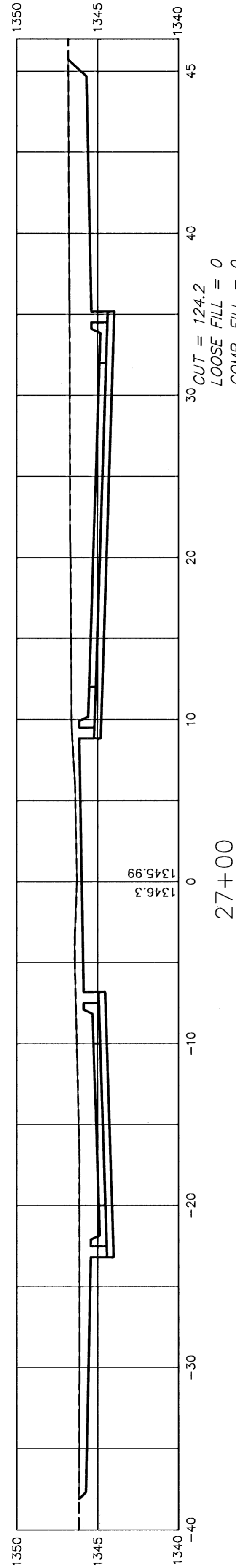
EX. 1343.3
TC 1343.22
SG 1341.83

EX. 1343.2
TC 1343.22
SG 1341.83

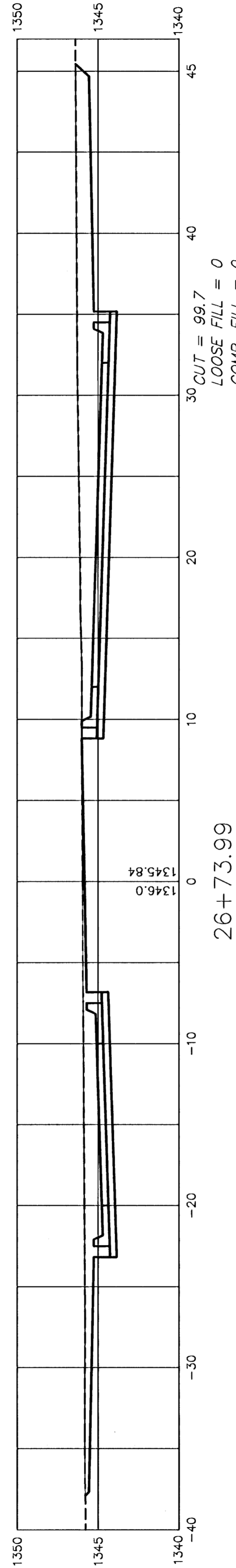
EX. 1342.9
TC 1343.22
SG 1341.83

AREA TOTAL = 1854.2 S.F.
AVG. DEPTH OF CUT = 1.3
AVG. DEPTH OF FILL = 0.0
VOLUME = (CUT) 89.3 C.Y. (FILL) 0.0 C.Y.

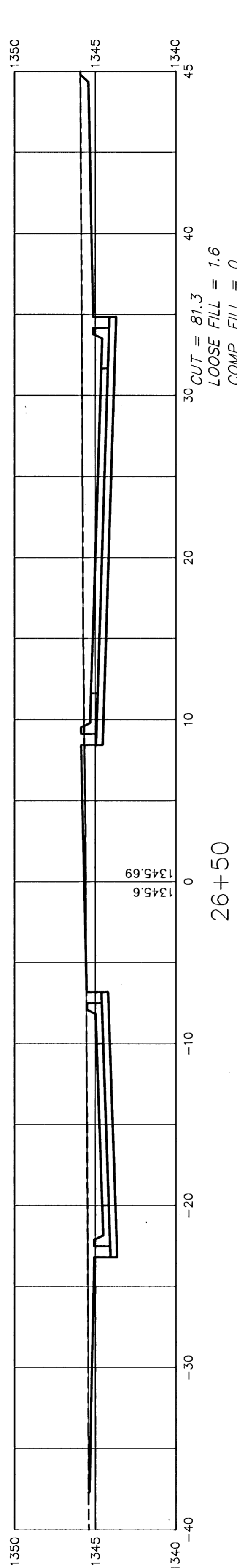
27+24.75



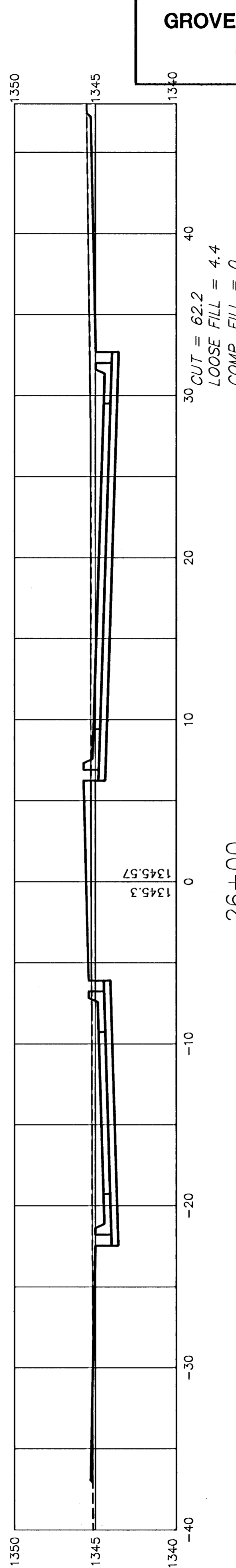
27+00



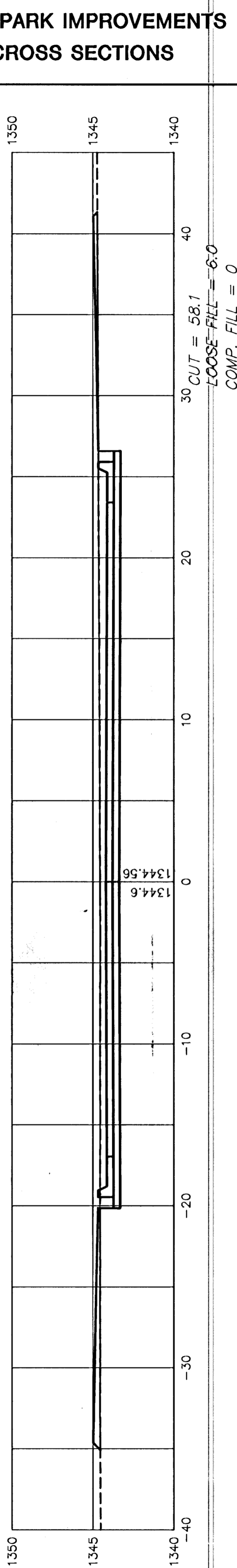
26+73.99



26+50



26+00



GROVE PARK IMPROVEMENTS
CROSS SECTIONS