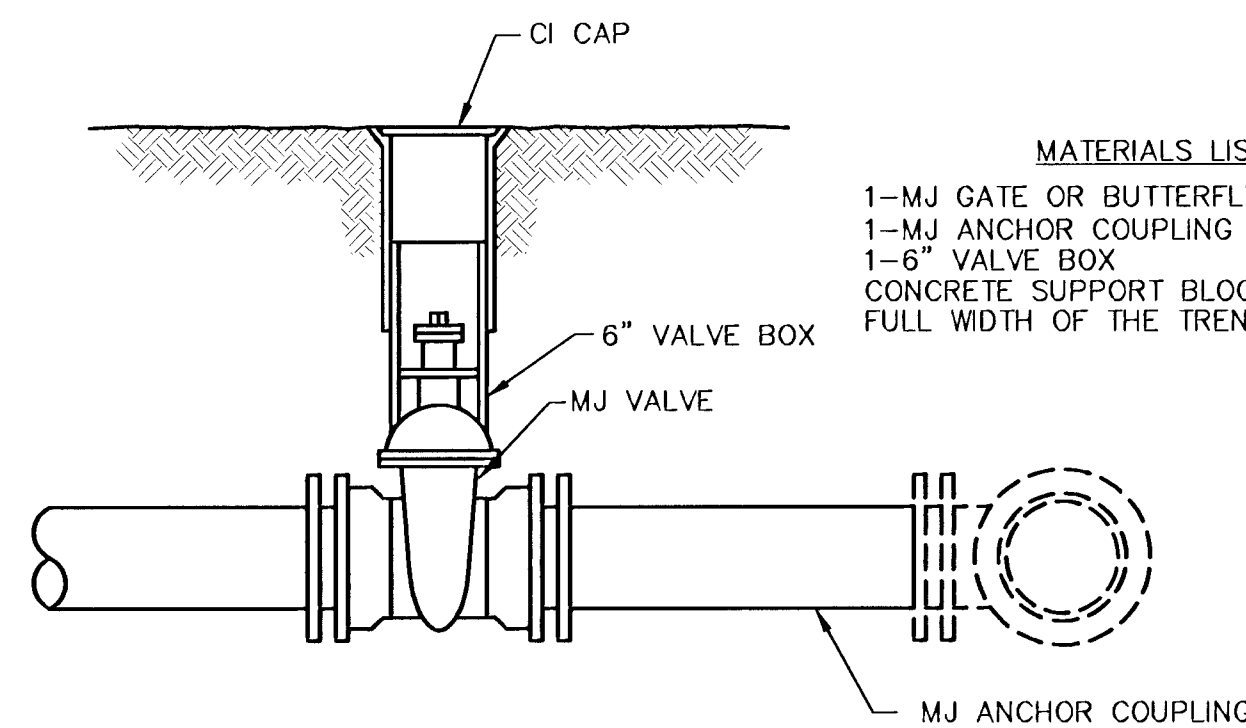


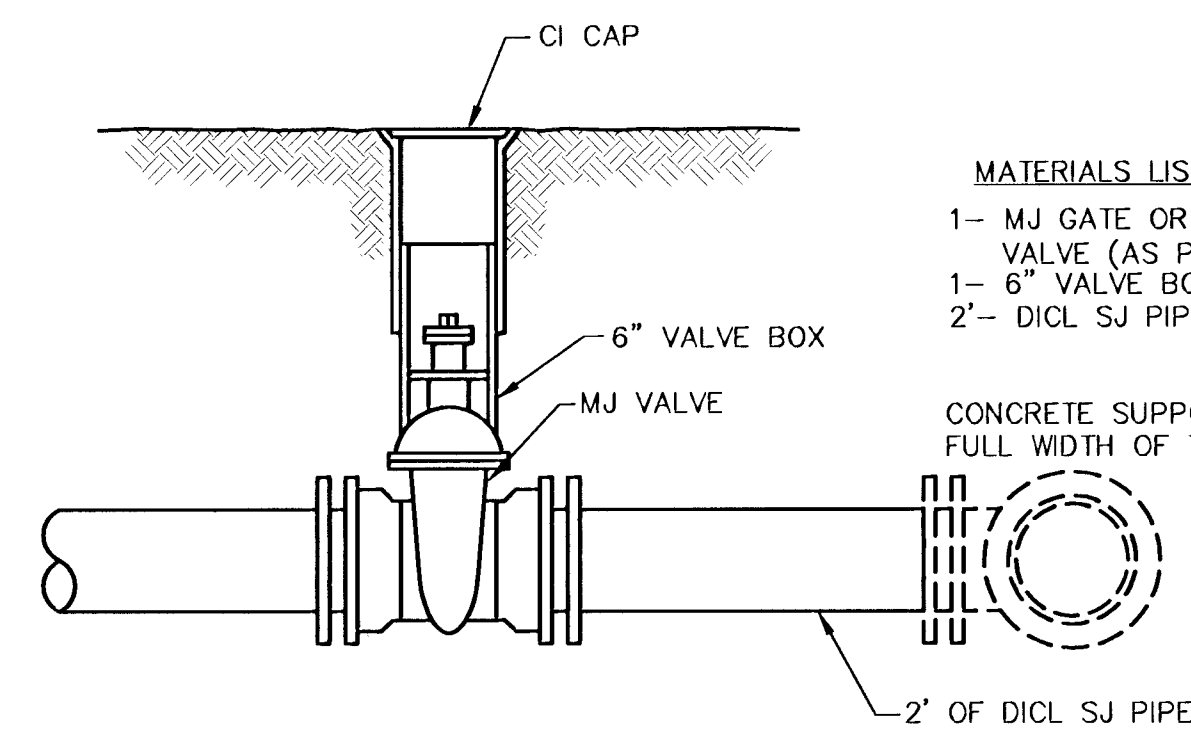
- MATERIALS LIST**
- 1-MJ GATE OR BUTTERFLY VALVE (AS PER PLAN)
 - 1-6" VALVE BOX
 - CONCRETE SUPPORT BLOCK SHALL BE FULL WIDTH OF THE TRENCH

LINE VALVE ASSEMBLY



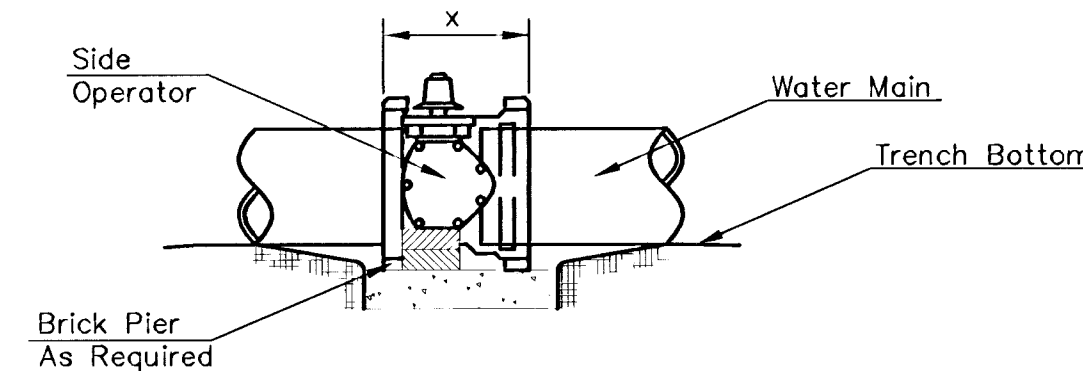
- MATERIALS LIST**
- 1-MJ GATE OR BUTTERFLY VALVE (AS PER PLAN)
 - 1-MJ ANCHOR COUPLING (12" OR SMALLER)
 - 1-6" VALVE BOX
 - CONCRETE SUPPORT BLOCK SHALL BE FULL WIDTH OF THE TRENCH

ANCHORED VALVE ASSEMBLY



- MATERIALS LIST**
- 1-MJ GATE OR BUTTERFLY VALVE (AS PER PLAN)
 - 1-6" VALVE BOX
 - 2'- DI CL SJ PIPE
 - CONCRETE SUPPORT BLOCK SHALL BE FULL WIDTH OF THE TRENCH

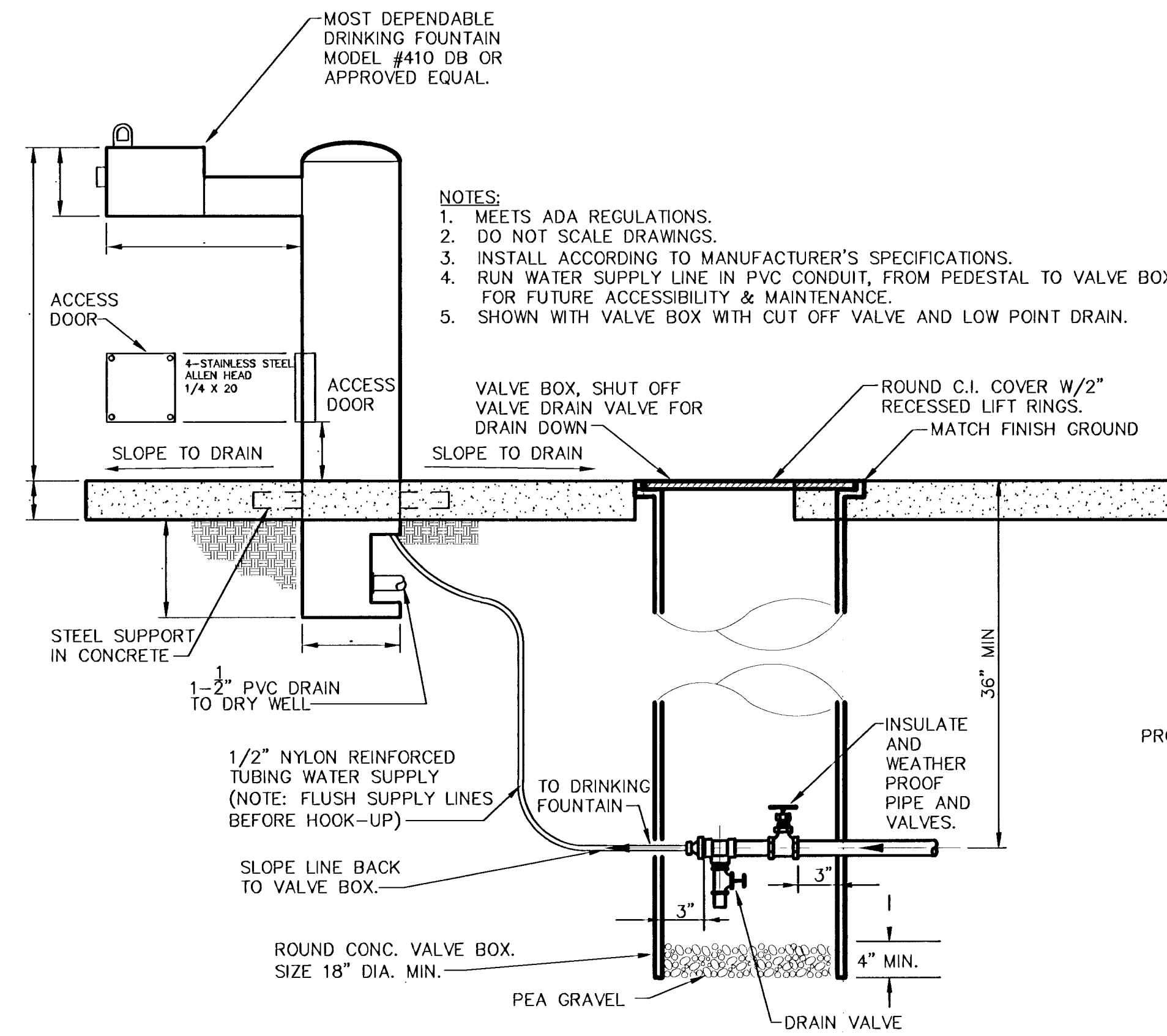
VALVE ASSEMBLY



NOTES

- This detail covers Butterfly Valve installation, inclusive, regardless of type of pipe or joint used. Larger lines to be detailed on plans.
- 6" Valve Box and Cover required per City of Wichita Std. Specifications.
- Conc. Support Block to be full width of trench.

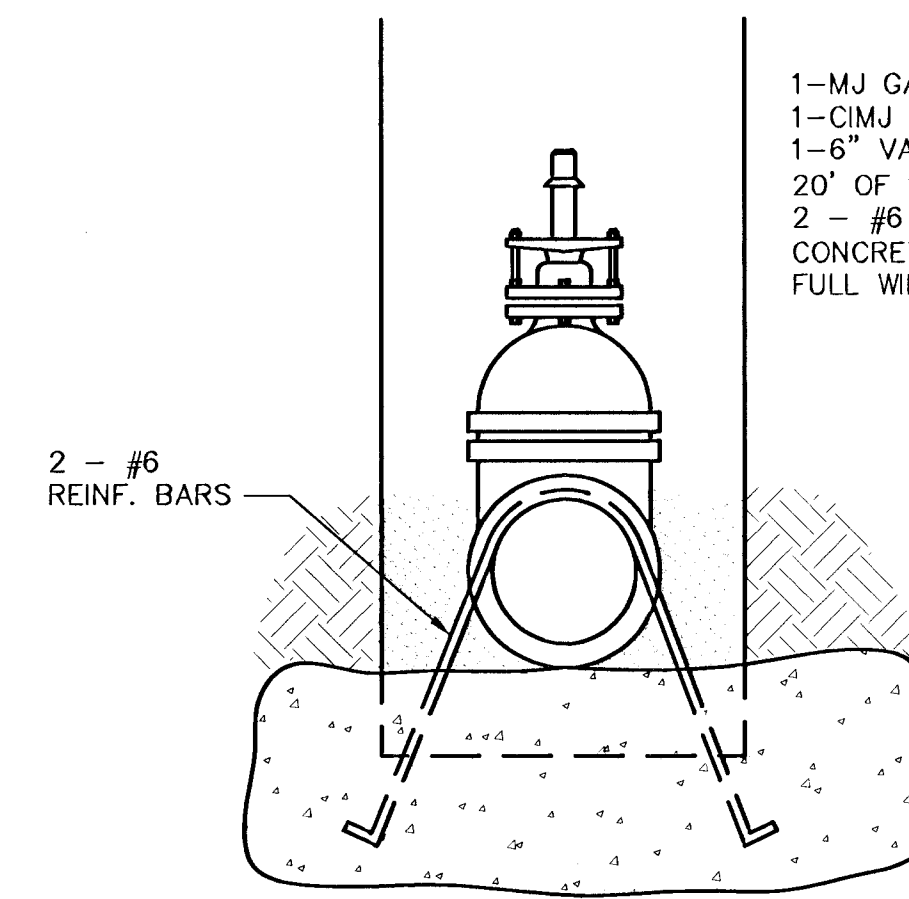
CONCRETE SUPPORT BLOCKING FOR BUTTERFLY VALVE INSTALLATION



- NOTES:**
- MEETS ADA REGULATIONS.
 - DO NOT SCALE DRAWINGS.
 - INSTALL ACCORDING TO MANUFACTURER'S SPECIFICATIONS.
 - RUN WATER SUPPLY LINE IN PVC CONDUIT, FROM PEDESTAL TO VALVE BOX FOR FUTURE ACCESSIBILITY & MAINTENANCE.
 - SHOWN WITH VALVE BOX WITH CUT OFF VALVE AND LOW POINT DRAIN.

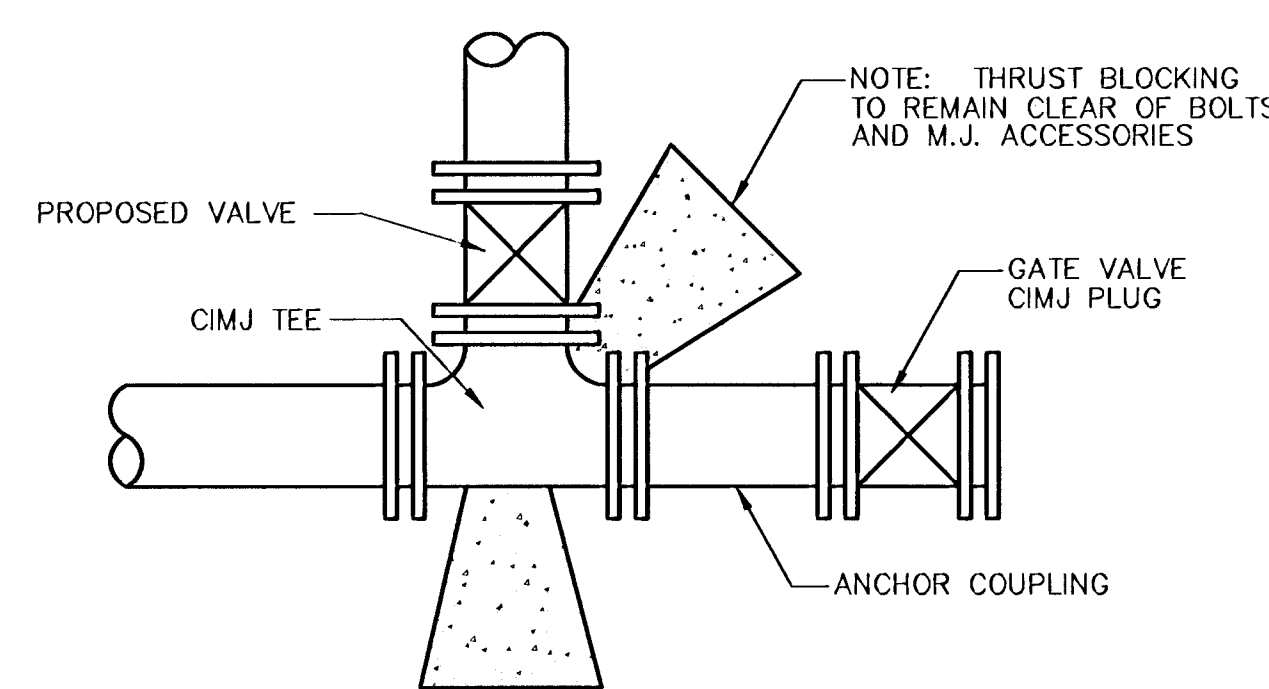
DRINKING FOUNTAIN & VALVE BOX DETAIL

NO SCALE



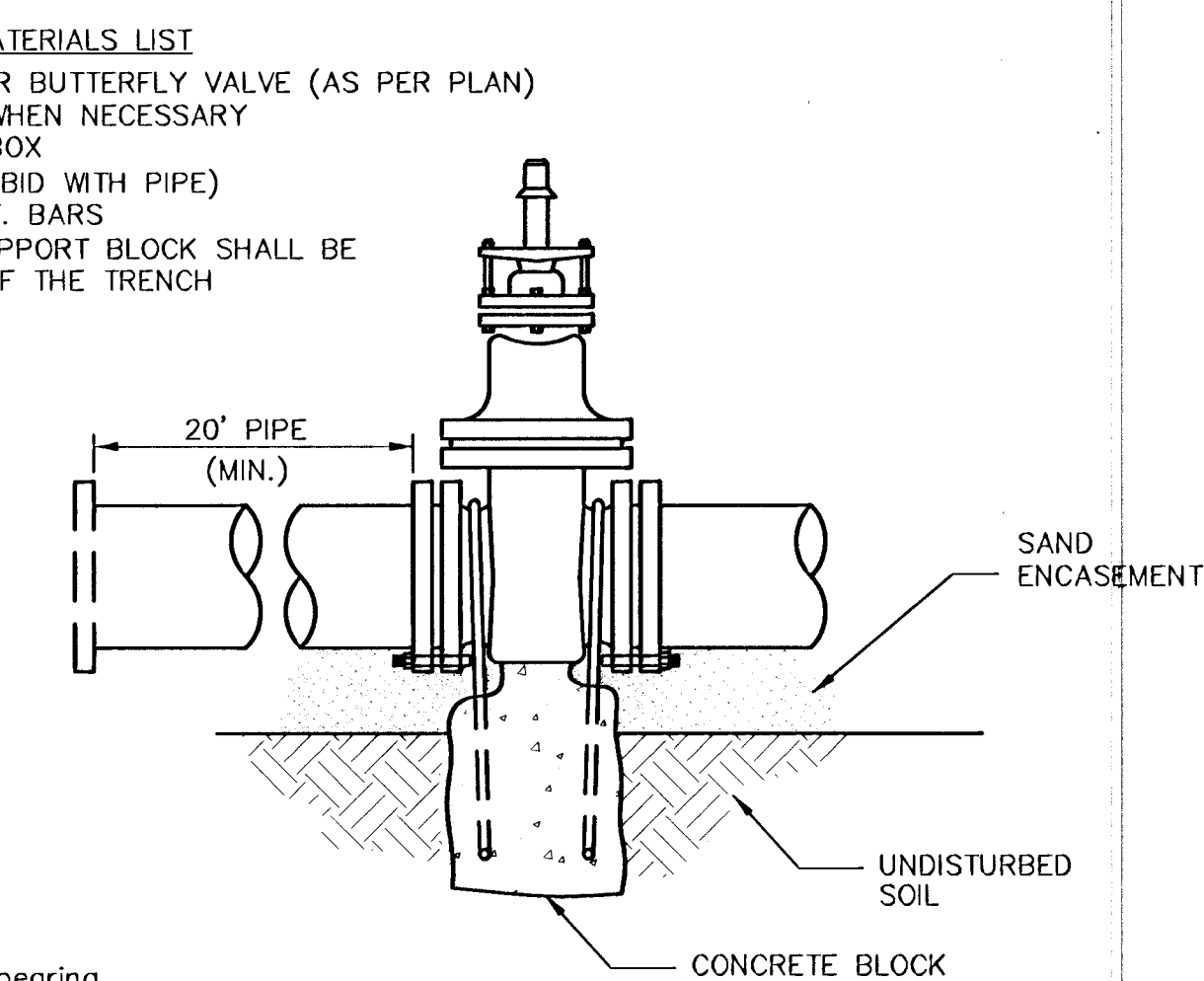
- Notes:**
- Concrete Block at Valve to have sufficient bearing in undisturbed soil to prevent thrust movement as shown in table at right. Field Engineer to determine thrust loading of undisturbed soil and final size of thrust block.
 - The thrust block shall be constructed such that bolts, nuts, and other MJ accessories are kept clear of concrete.
 - All valves at dead ends and at other locations as called out on the plans shall be blocked as shown here.

ANCHORED VALVE ASSEMBLY, SPECIAL



KEY BLOCK DETAIL

NOTE: THRUST BLOCKING TO REMAIN CLEAR OF BOLTS AND M.J. ACCESSORIES

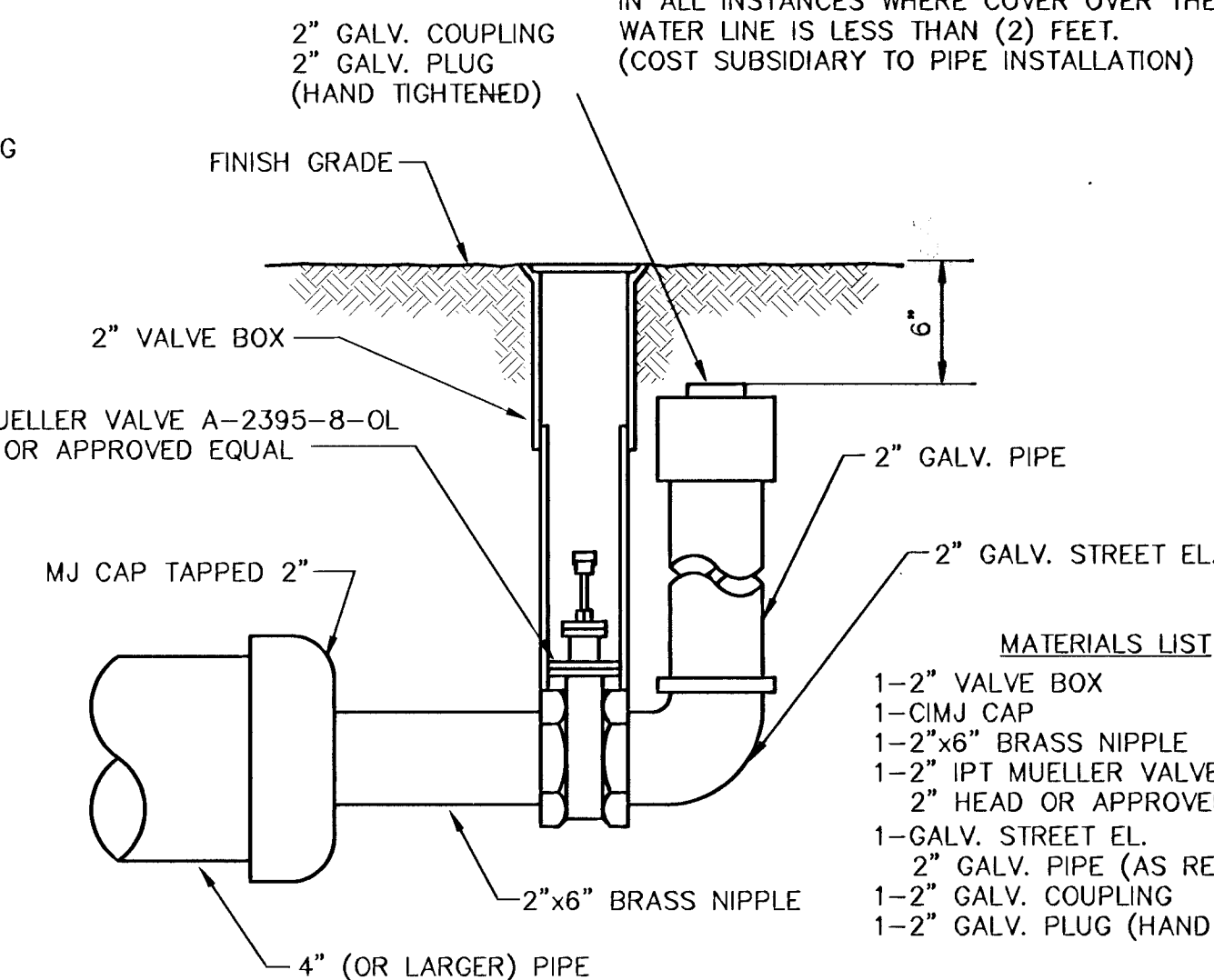


THRUST AT VALVES

VALVE	THRUST AT 150 $\frac{1}{2}$ " ²
4"	1809 lbs.
6"	4245 lbs.
8"	7540 lbs.
12"	16965 lbs.

PROTECTIVE FILL DETAIL

MINIMUM PROTECTIVE FILL SHALL BE PROVIDED IN ALL INSTANCES WHERE COVER OVER THE PROP. WATER LINE IS LESS THAN (2) FEET. (COST SUBSIDIARY TO PIPE INSTALLATION)



2" BLOWOFF ASSEMBLY

- MATERIALS LIST**
- 1-2" VALVE BOX
 - 1-CIMJ CAP
 - 1-2"x6" BRASS NIPPLE
 - 1-2" IPT MUELLER VALVE A-2395-8-OL
 - 2" HEAD OR APPROVED EQUAL
 - 1-GALV. STREET EL.
 - 2" GALV. PIPE (AS REQUIRED)
 - 1-2" GALV. COUPLING
 - 1-2" GALV. PLUG (HAND TIGHTENED)

THE CITY OF WICHITA

CITY ENGINEER'S OFFICE
CITY HALL - SEVENTH FLOOR
455 NORTH MAIN STREET
WICHITA, KANSAS 67202
(316) 268-4501
(316) 268-4114 FAX

STANDARD WATER ASSEMBLY DETAILS

M. E. LINDEBAK P.E. - CITY ENGINEER

PROJECT NUMBER 390-140	CCA NO. 785-008
DATE OCT. 01	

SHEET CU 503 / 50