

IF CONCESSION RESTROOM BUILDING ALTERNATE IS NOT ACCEPTED, THE CONTROLLER SHOULD BE MOUNTED INSIDE A LOCKABLE NEMA ENCLOSURE (PRODUCT # 12126-HC1) ON THE SCORE BOARD POLE.

IF CONCESSION RESTROOM BUILDING ALTERNATE IS ACCEPTED, MOUNT CONTROLLER IN CHASE INSIDE RESTROOM

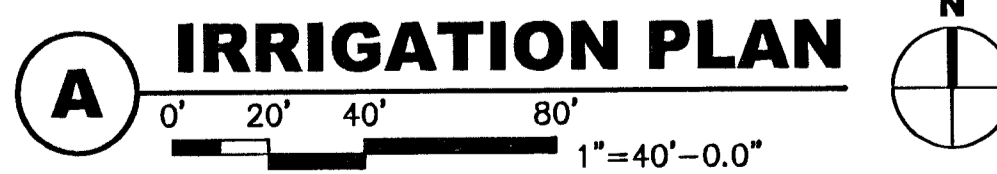
EXISTING PRACTICE AREA

CONCESSION RESTROOM BUILDING

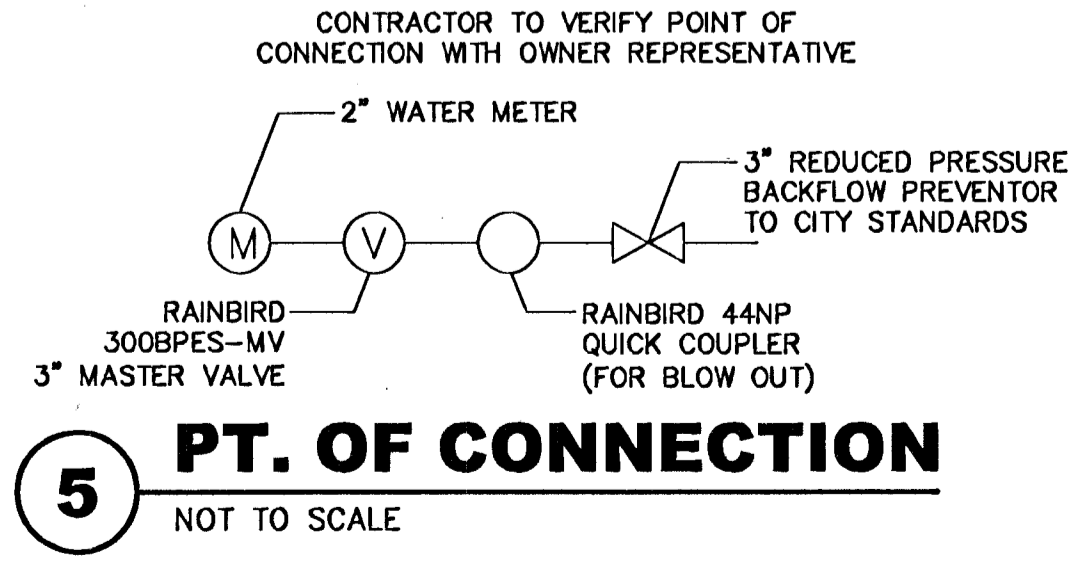
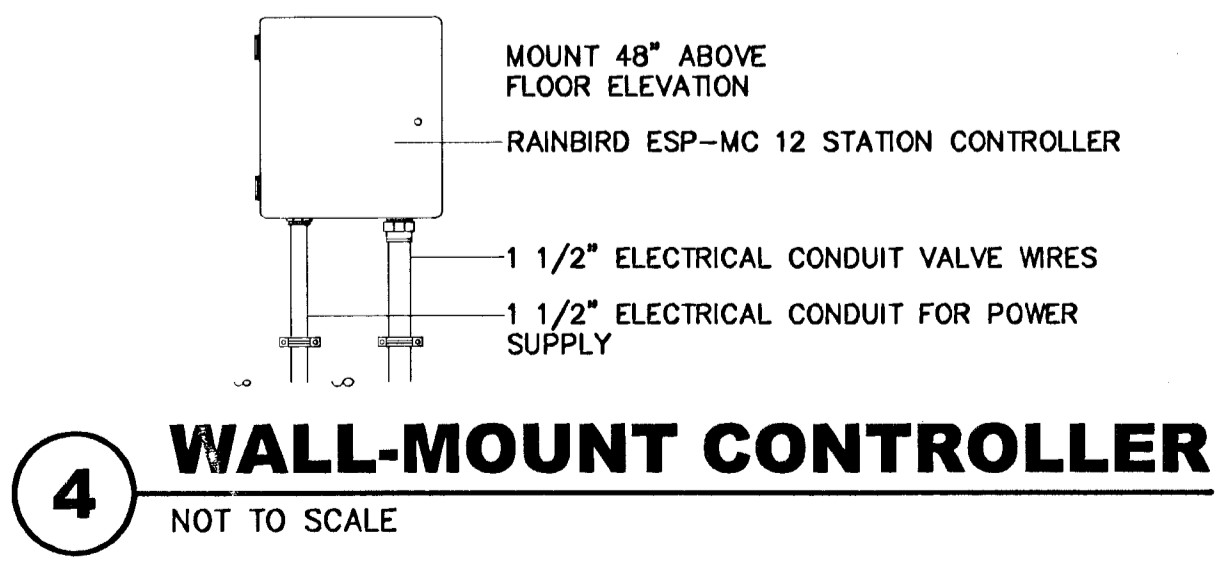
EXISTING PARKING

PROPOSED PARKING

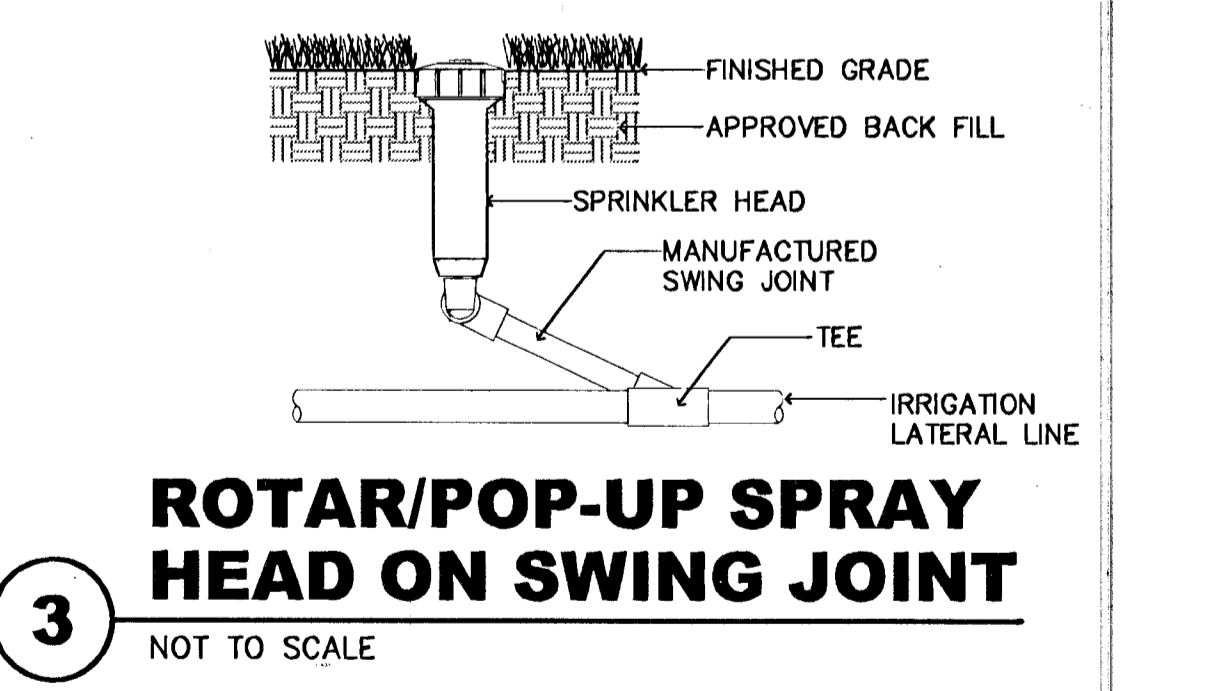
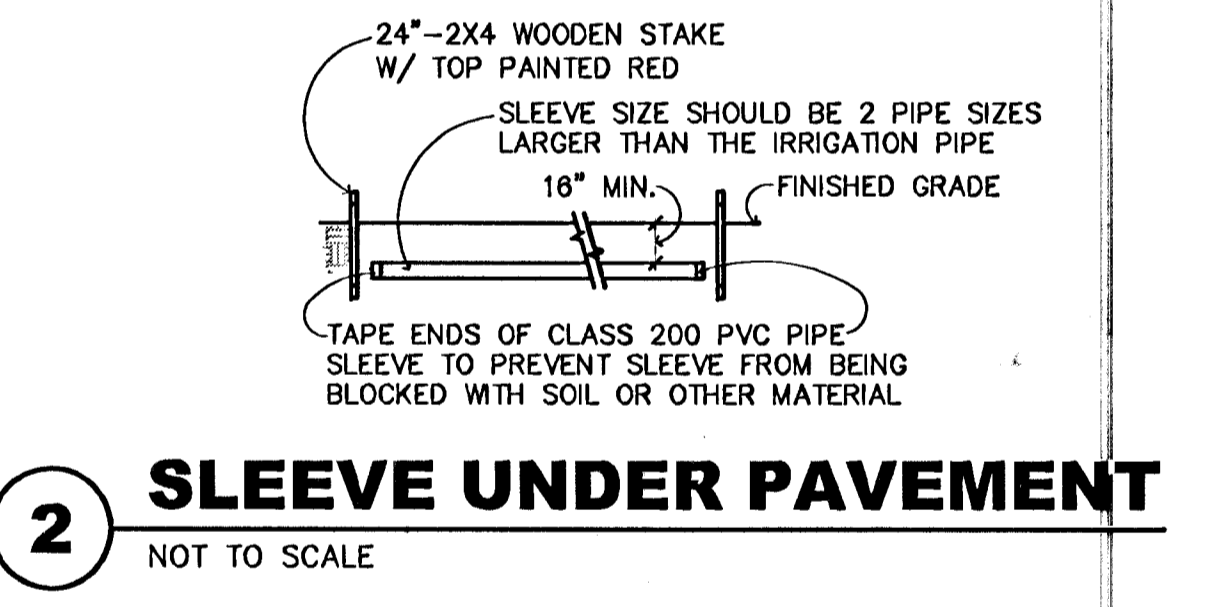
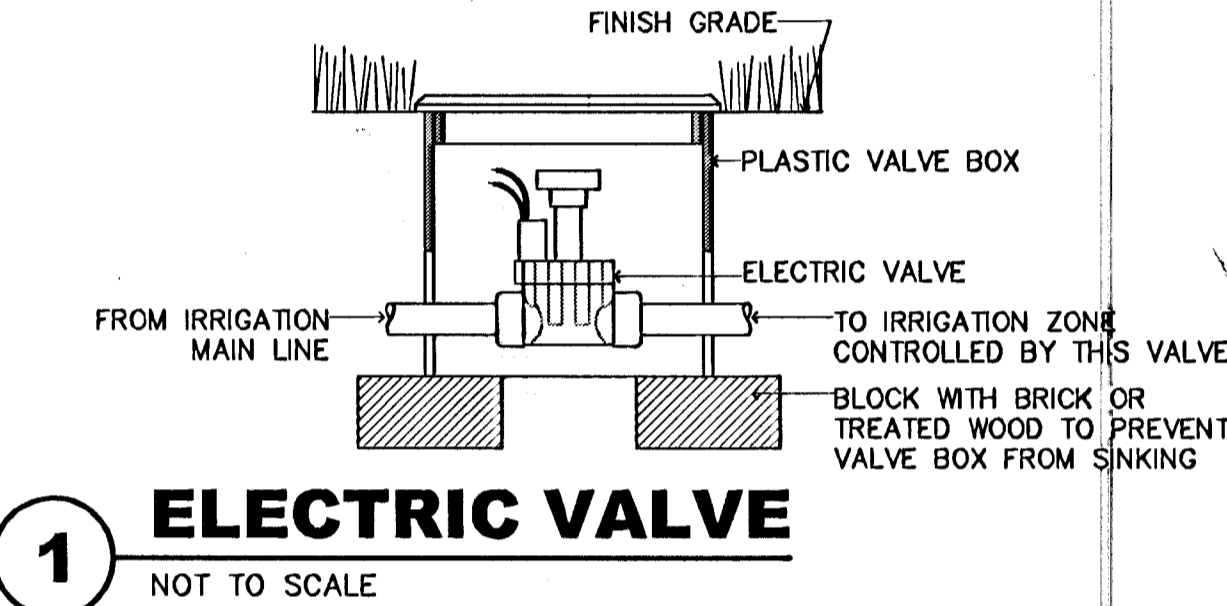
POINT OF CONNECTION SEE DETAIL 5 L1101



- LEGEND**
- RAINBIRD FALCON
 - RAINBIRD FALCON
 - ⊕ IRRITROL REMOTE VALVE
 - ☐ RAINBIRD ESP-MC 12 STATION CONTROLLER (VERIFY LOCATION OF CONTROLLER WITH OWNER REPRESENTATIVE)
 - 4" PVC SCHEDULE 40 SLEEVE



- GENERAL NOTES**
1. PRIOR TO INSTALLATION OF IRRIGATION SYSTEM THE CONTRACTOR IS RESPONSIBLE FOR VERIFYING THE WATER PRESSURE (PSI) IS A MIN. OF 100 PSI @ 70 GPM ENSURING THAT THERE IS ENOUGH PSI TO PROPERLY RUN THE SYSTEM.
 2. CONTRACTOR SHALL BE HELD RESPONSIBLE FOR ALL DAMAGE CAUSED TO BOTH OVERHEAD AND UNDERGROUND UTILITIES. CONTRACTOR SHALL SEEK ASSISTANCE FROM BOTH OWNER REPRESENTATIVE AND LOCAL UTILITIES COMPANIES FOR PROPER LOCATIONS.
 3. THE IRRIGATION PLAN IS A SCHEMATIC PLAN AND MAY BE FIELD ADJUSTED FOR BETTER ROUTING. CHANGES OR REVISIONS ARE SUBJECT TO APPROVAL BY THE PARK DEPARTMENT.
 4. ALL MAIN LINE IS 3" SCHEDULE 40 PVC PIPE.
 5. ALL LATERAL LINE IS SCHEDULE 40 PVC PIPE.
 6. ALL SLEEVES TO BE SCHEDULE 40 PVC 6" PIPE. SLEEVES TO BE INSTALLED BY GENERAL CONTRACTOR PRIOR TO SUBBASE AND COMPACTION.
 7. NEVER GLUE PVC PIPE WHEN TEMPERATURE IS BELOW 32°F
 8. NEVER LAY PVC PIPE IN TRENCH WHEN WATER IS PRESENT.
 9. IRRIGATION WIRE SHOULD BE 14 GA.
 10. PROVIDE TWO ADDITIONAL WIRES TO BE LAID CONTINUOUS FROM CONTROLLER THROUGH THE LAST VALVE BOX. PROVIDE A TWO FOOT LOOP OF WIRE IN EACH VALVE BOX.
 11. WIRE CONNECTIONS TO BE MADE WITH WATER PROOF WIRE NUTS.
 12. MOUNT RAIN / FREEZE SENSOR ON TOP OF EXISTING SCORE BOARD.
 13. LOCATE THE BACKFLOW PREVENTOR AND BLOW OUT VALVE IN A LBSNS HOT BOX MOUNTED ON A CONCRETE PAD WITH A LOCKABLE COVER. PROVIDE SLEEVED PENETRATIONS THROUGH THE PAD FOR PIPING.



GROVE PARK IMPROVEMENTS
PROJECT NAME

IRRIGATION PLAN & DETAILS
SHEET TITLE

SRB DESIGN BY: LES DRAWN BY: TDM CHECKED BY: TDM

OCTOBER 2001 DATE 1003.010 JOB NO. L1101 / 50 SHEET/OF