

LIGHT FIXTURE SCHEDULE

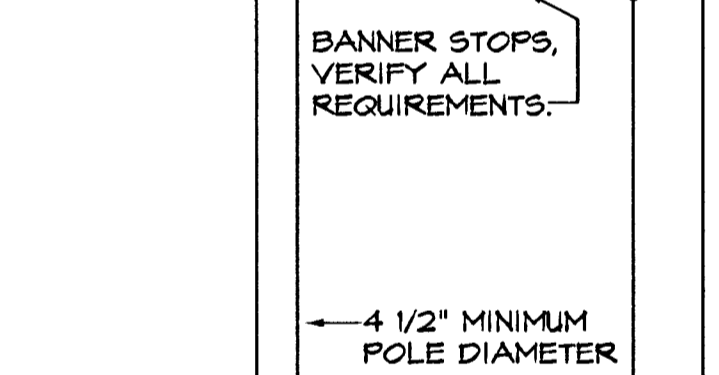
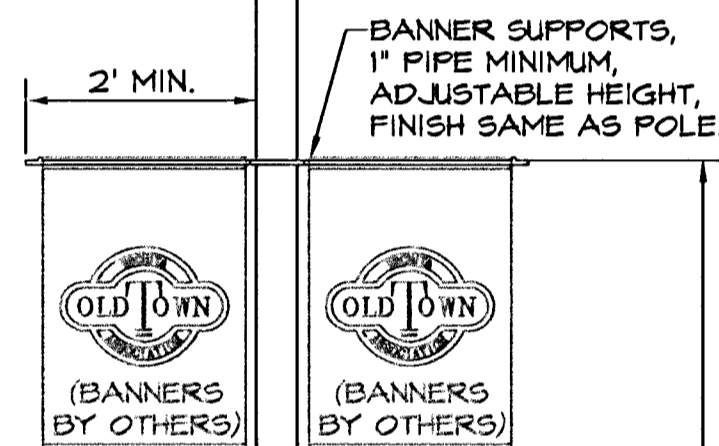
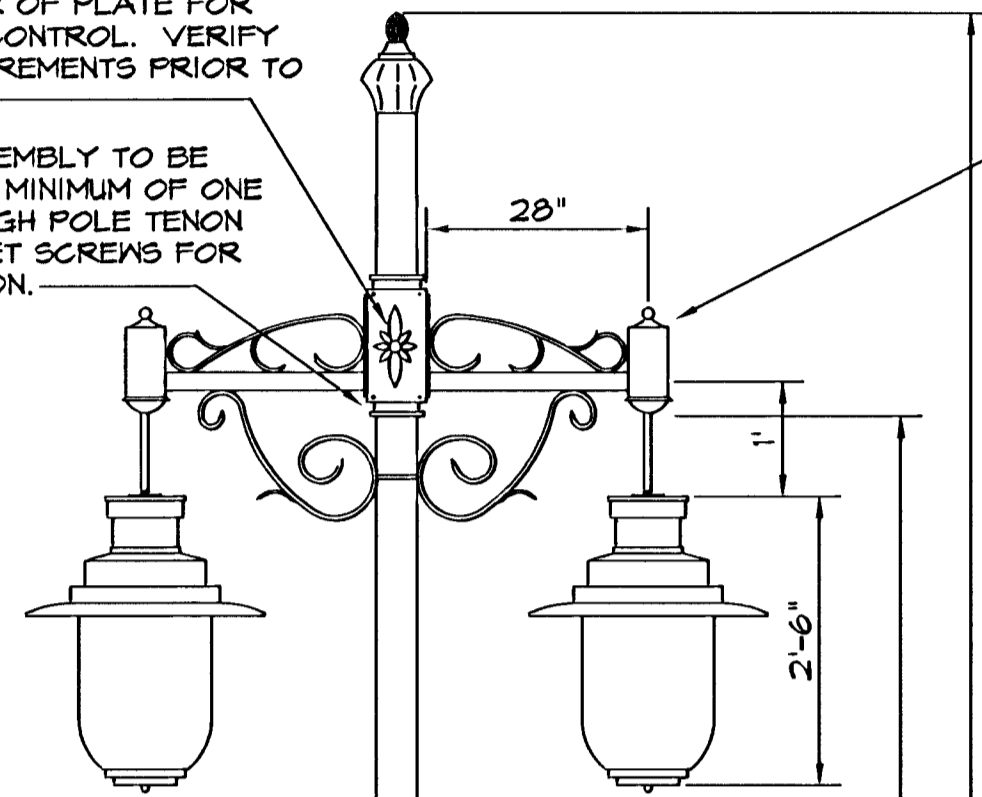
SVA	FIXT LTR	MANUFACTURER	CATALOG NUMBER	LAMPS		FIXT. VOLT.	FINISH	MOUNTING	REMARKS
				NO.	TYPE				
	A	EMERY FIXTURES INC.	FN2AMBKMH250-MT-PE-SVA-SP	2	250 MH	240V	BLACK	POLE	SEE DETAIL FOR FIXTURE POLE
	B	EMERY FIXTURES INC.	FKMAPEKMH02200PO-SVA	1	100 MH	240V	BLACK	COLUMN	SEE DETAIL

① ALL FIXTURES LISTED HAVE BEEN APPROVED FOR USE BY C.A.R.T. AND BY THE CITY OF WICHITA. ANY OTHER MANUFACTURER WISHING TO BID ON THE ABOVE FIXTURES MUST SECURE PRIOR APPROVAL FROM C.A.R.T., THE CITY OF WICHITA AND THE ELECTRICAL ENGINEER. ALL PROPOSED MANUFACTURERS MUST SUBMIT ALL CALCULATIONS AND DETAILED DRAWINGS TWO WEEKS MINIMUM PRIOR TO BID. PROPOSALS FOR FIXTURES "A" AND "C" MUST BE ONE PIECE CAST ALUMINUM. ALL FIXTURES MUST BE LABELED BY UL OR OTHER APPROVED TESTING LABORATORY.

LIGHT FIXTURE "A" TO BE PROVIDED WITH PHOTOCELL AT CENTER OF PLATE FOR LIGHTING CONTROL. VERIFY ALL REQUIREMENTS PRIOR TO BID.

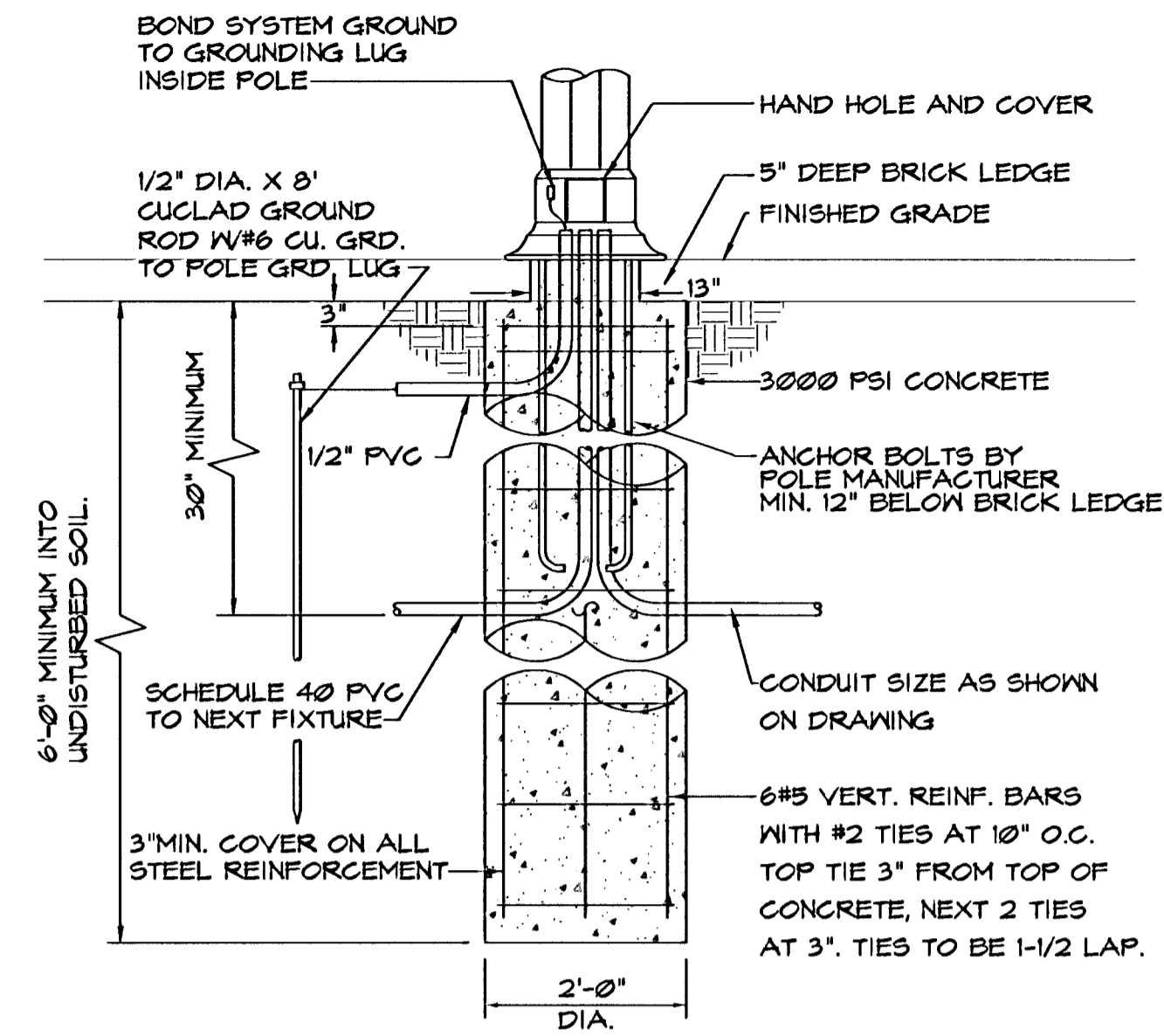
FIXTURE ARM ASSEMBLY TO BE PROVIDED WITH A MINIMUM OF ONE THRU-BOLT THROUGH POLE TENON MOUNT AND SIX SET SCREWS FOR SECURING TO TENON.

FIXTURE ARM AND MOUNTING TO BE DESIGNED TO SUPPORT 2 TIMES THE FIXTURE WEIGHT AND WIND LOADING.



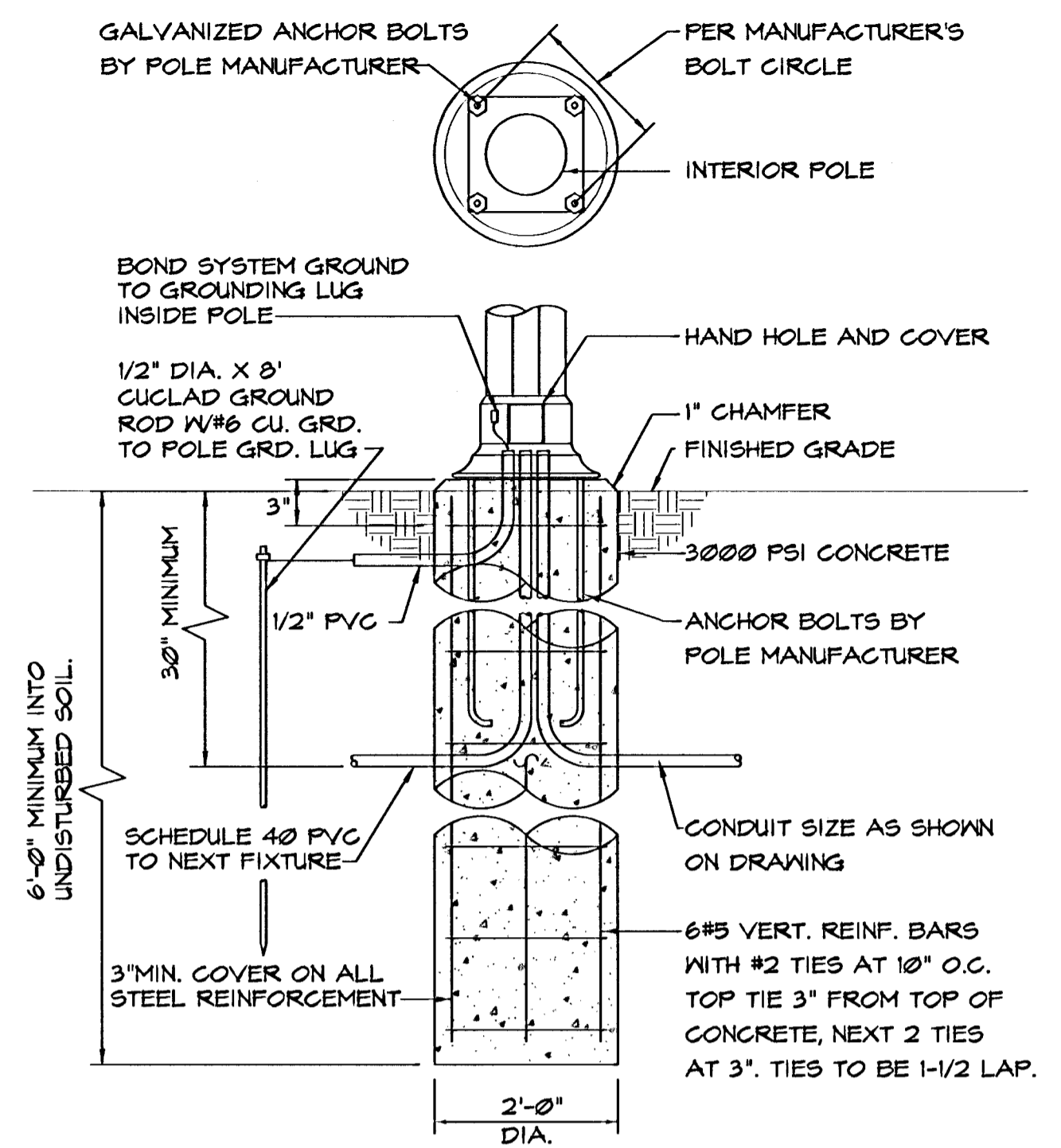
LIGHT FIXTURE "A" & "A1" DETAIL

(LIGHT FIXTURE "D" IS IDENTICAL EXCEPT WITH LIGHT FIXTURES AND BANNERS ARRANGED AT 90° ANGLE FROM EACH OTHER.)



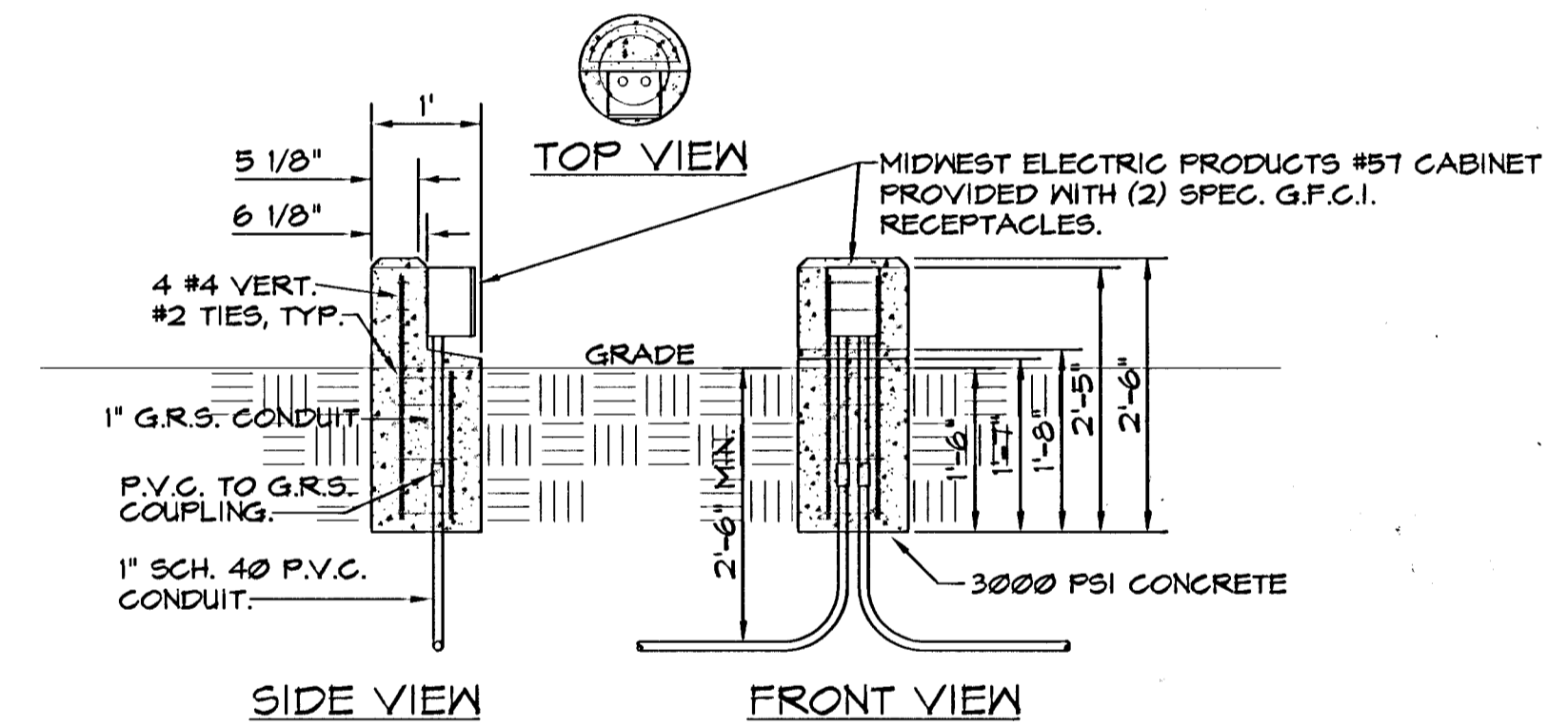
POLE BASE DETAIL WITH BRICK LEDGE

N.T.S.

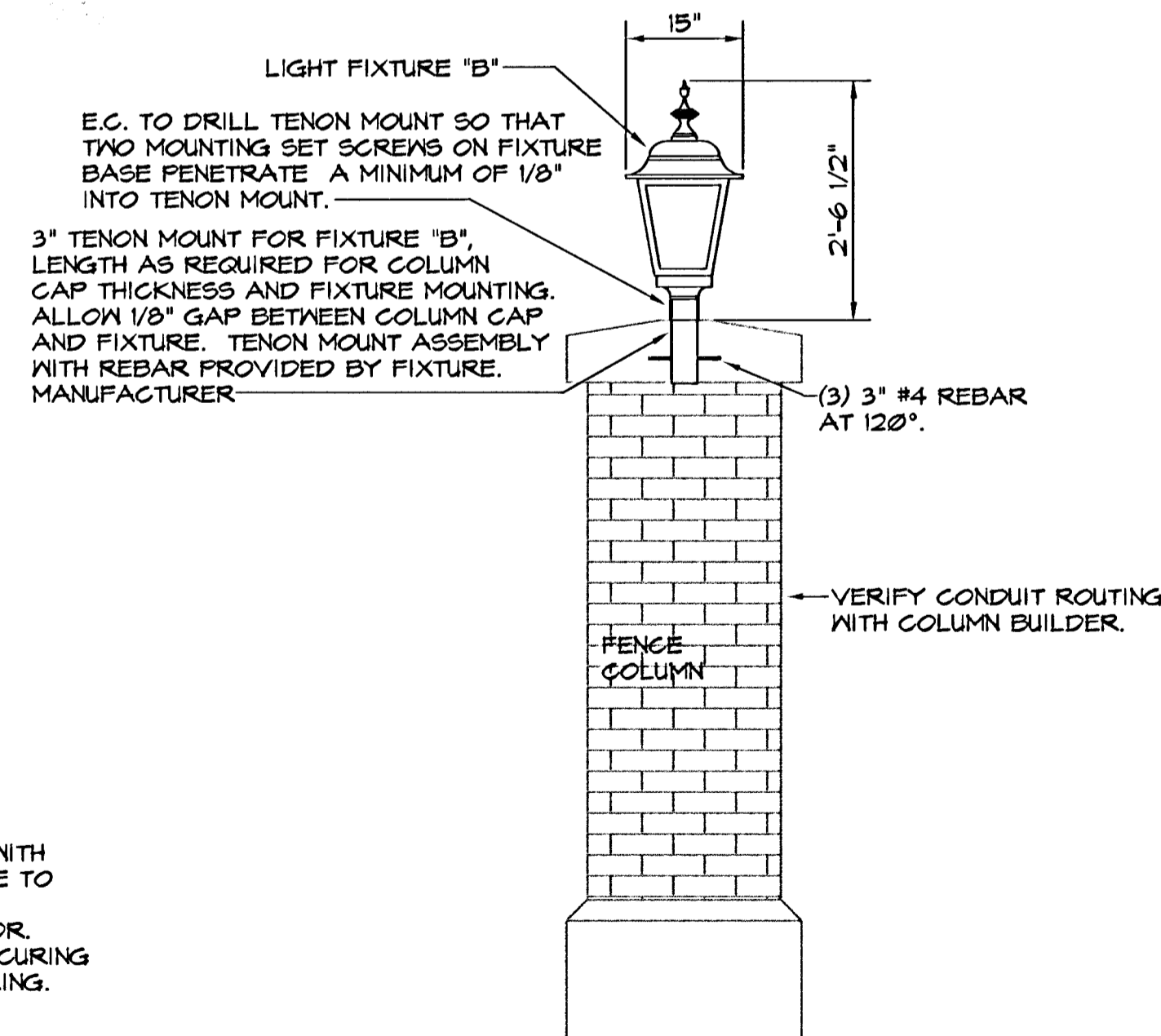


POLE BASE DETAIL

N.T.S.



SPECIAL OUTLET "A" DETAIL (A)



LIGHT FIXTURE "B" MOUNTING DETAIL

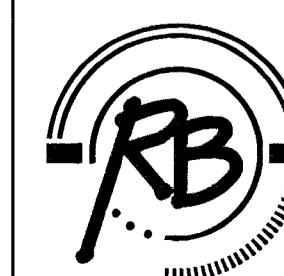


Electrical Engineering and Design

349 S. Hydraulic
Wichita, Ks. 67211-1908
(316) 264-3061
FAX: (316) 264-3542

03086-041

PUBLIC PARKING LOT IMPROVEMENTS, 132 N. MOSLEY ELECTRICAL DETAILS WICHITA, KANSAS



Ruggles & Bohm, P.A.
Engineering, Surveying, Land Planning

924 North Main
Wichita, Kansas 67203
www.rbkansas.com
(316) 264-8008
(316) 264-4621 fax
E-mail: info@rbkansas.com

DRAWING FILE
3086E01.DWG

PROJECT NUMBER

DATE
July 18, 2003

DESIGN	SVA	SHEET 9 OF 11
DRAWN	SVA	
REVIEW		
UTILITY		

472-83846