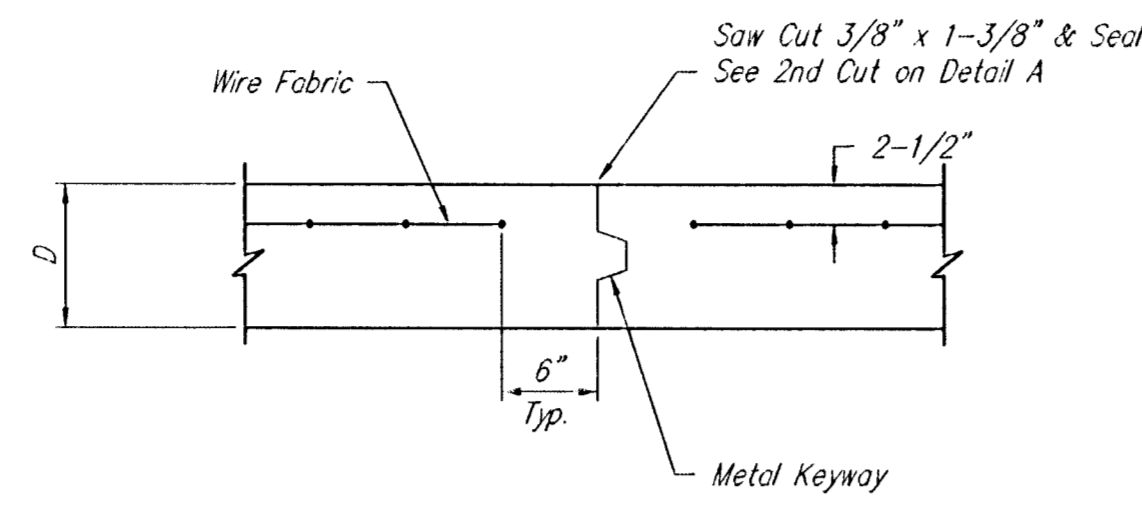
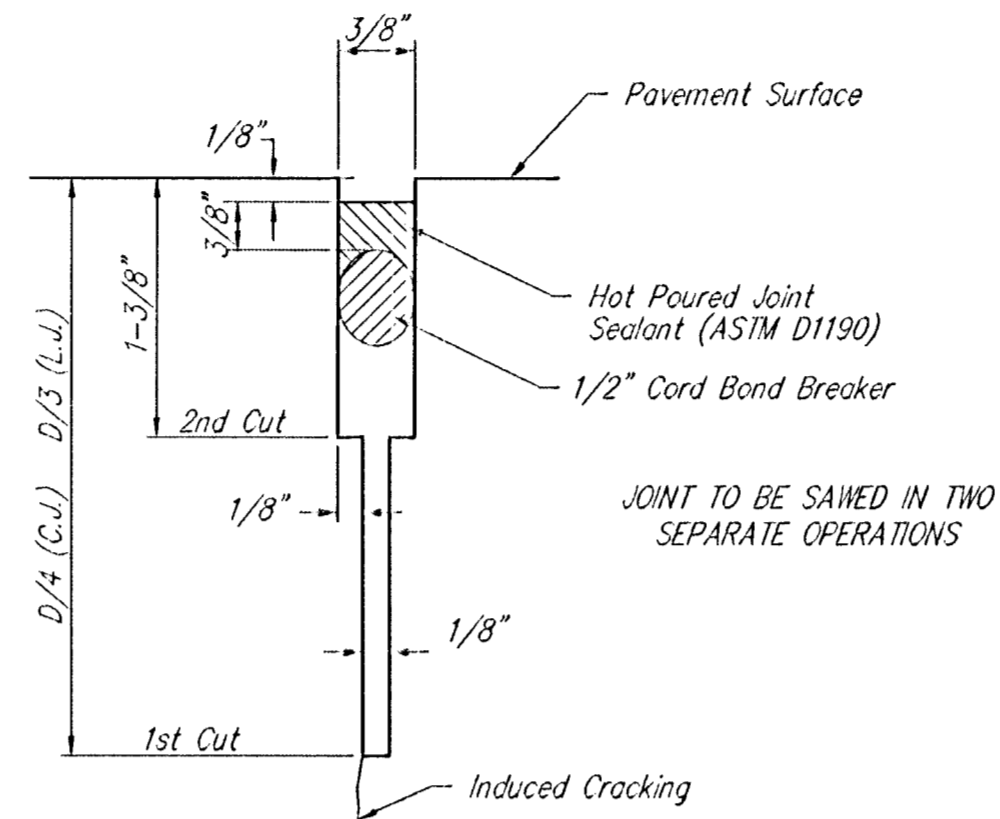


EXPANSION JOINT

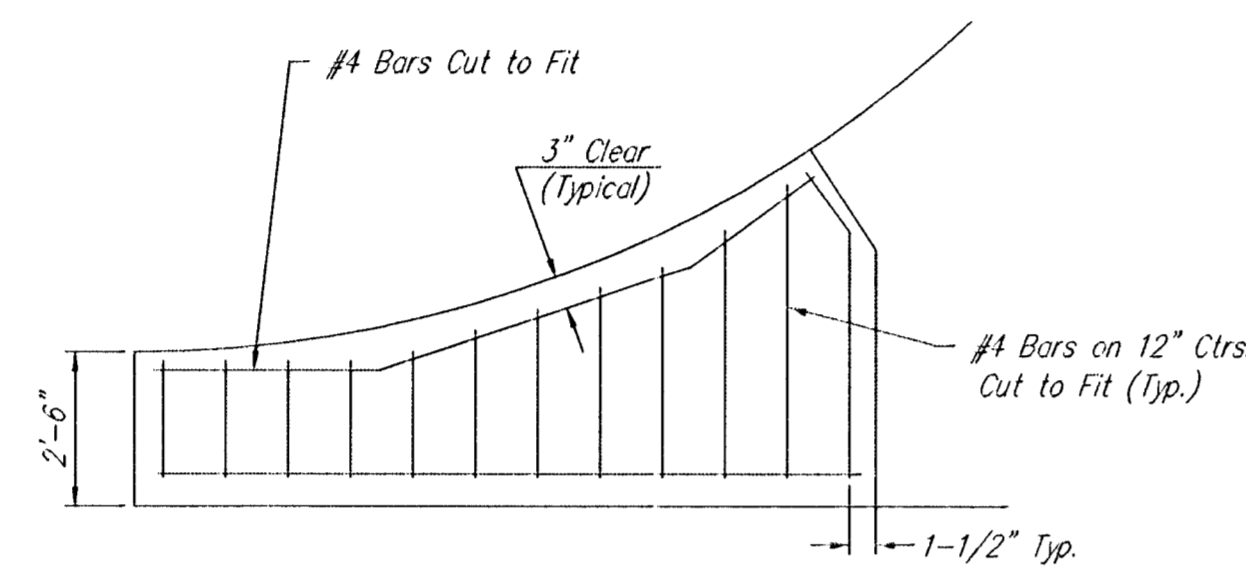
NOTE: Extra Thickness to be Subsidiary to Price of Square Yards Pavement



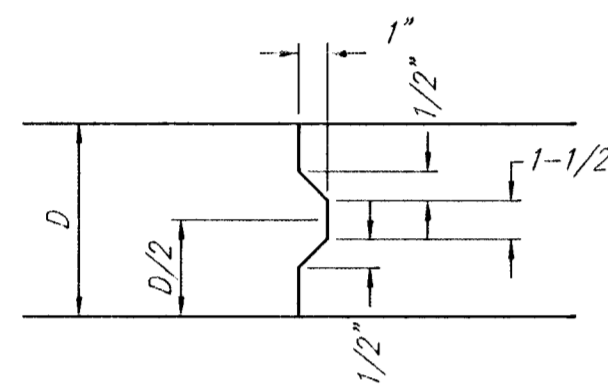
OPTIONAL CONTRACTION JOINT



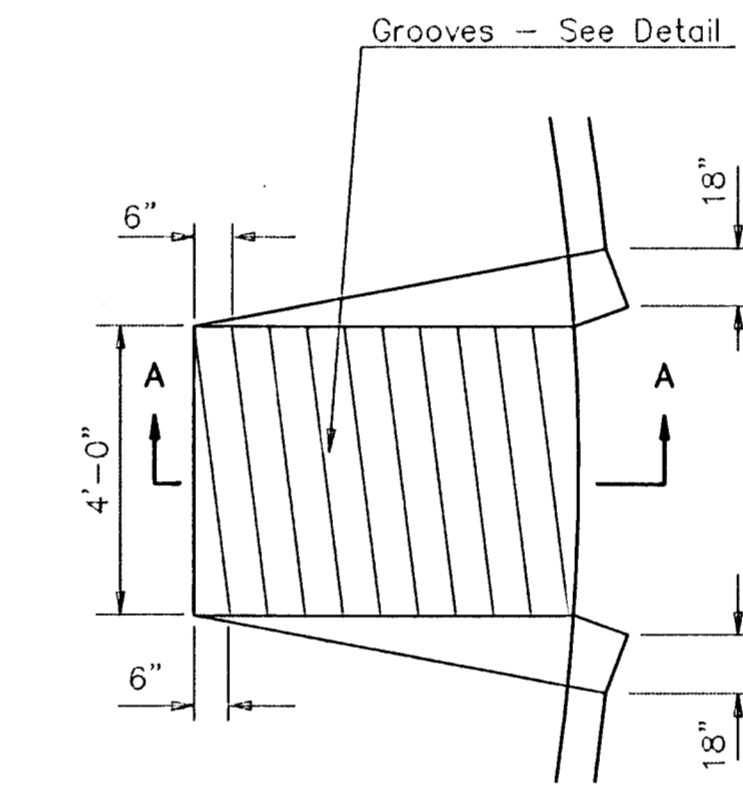
SAW JOINT DETAIL



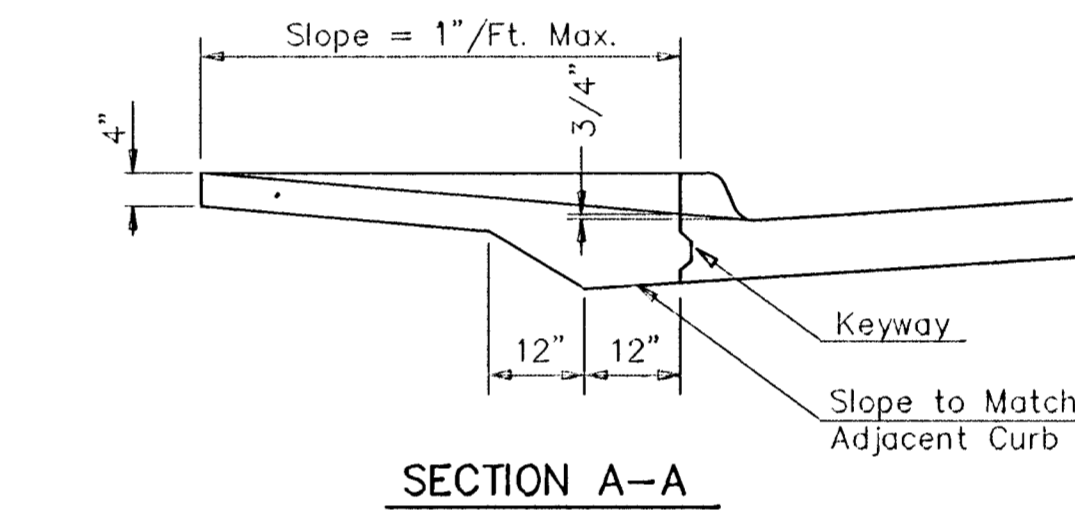
WING REINFORCING DETAIL



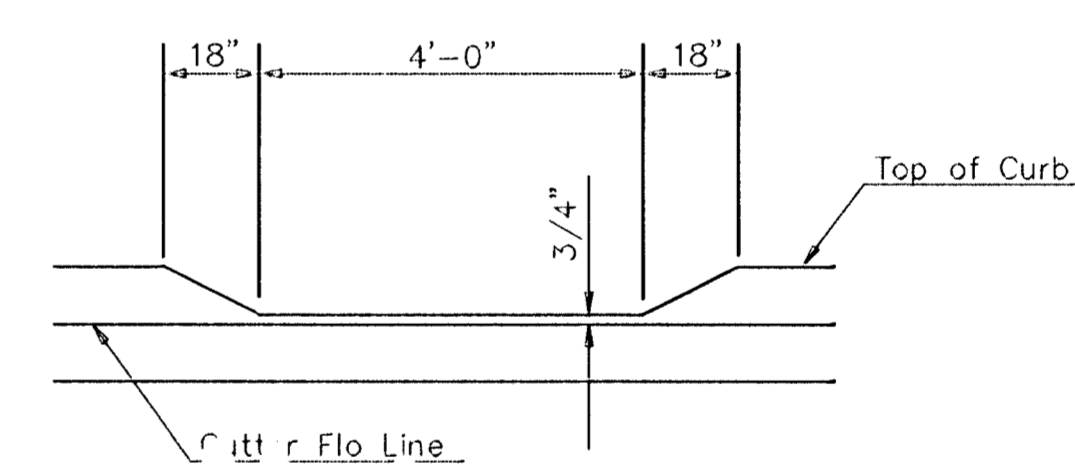
KEYWAY DETAIL



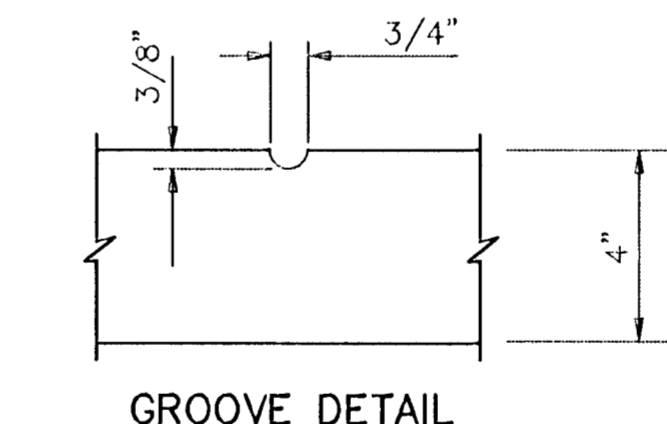
WHEELCHAIR RAMP PLAN VIEW



SECTION A-A

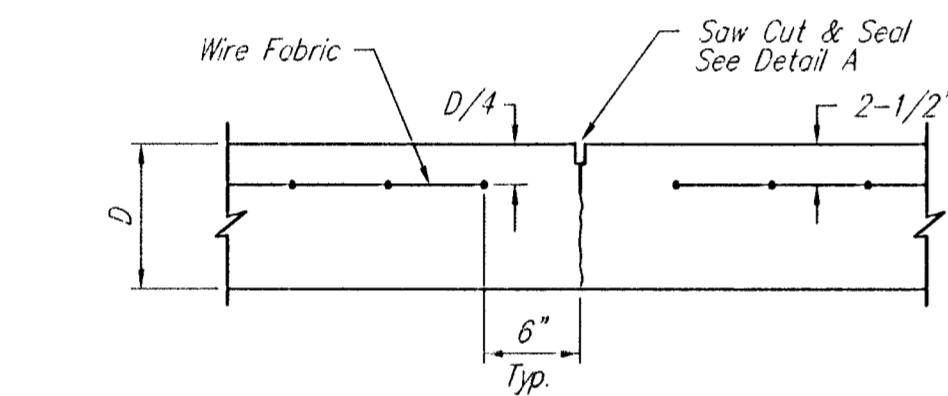


DEPRESSED CURB DETAIL

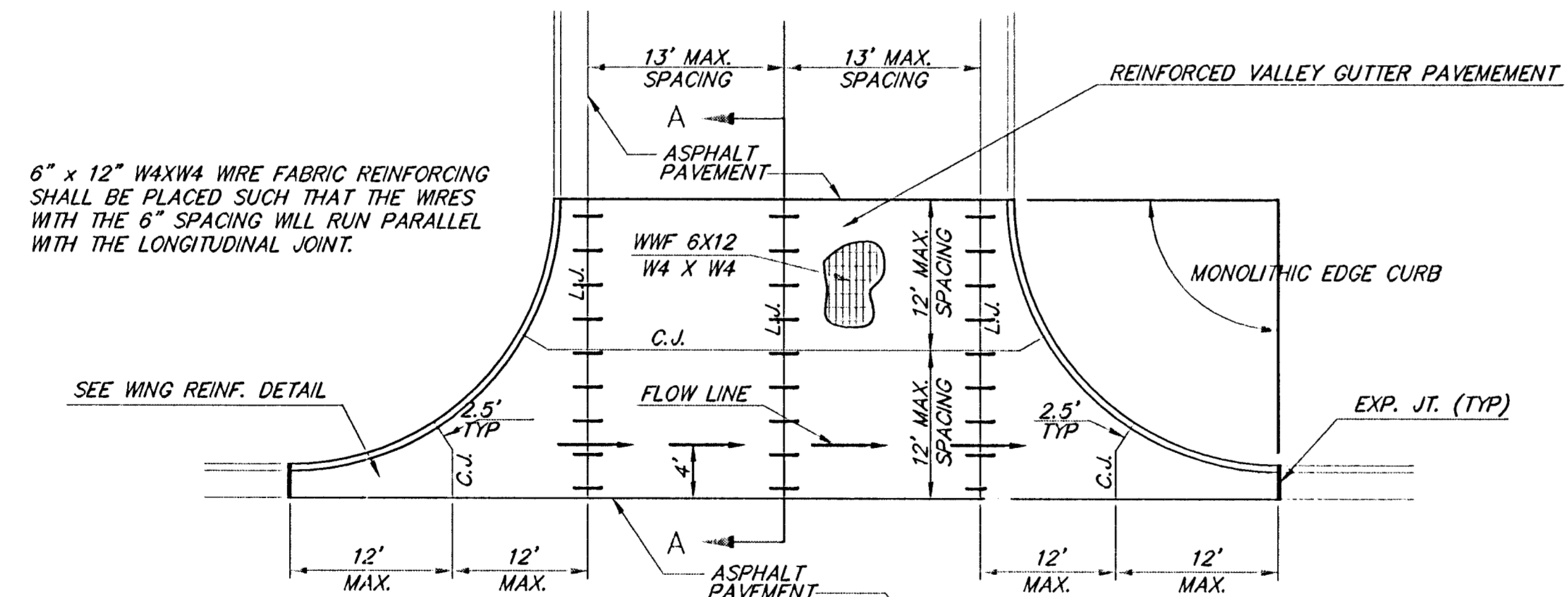


GROOVE DETAIL

WHEELCHAIR RAMP DETAIL

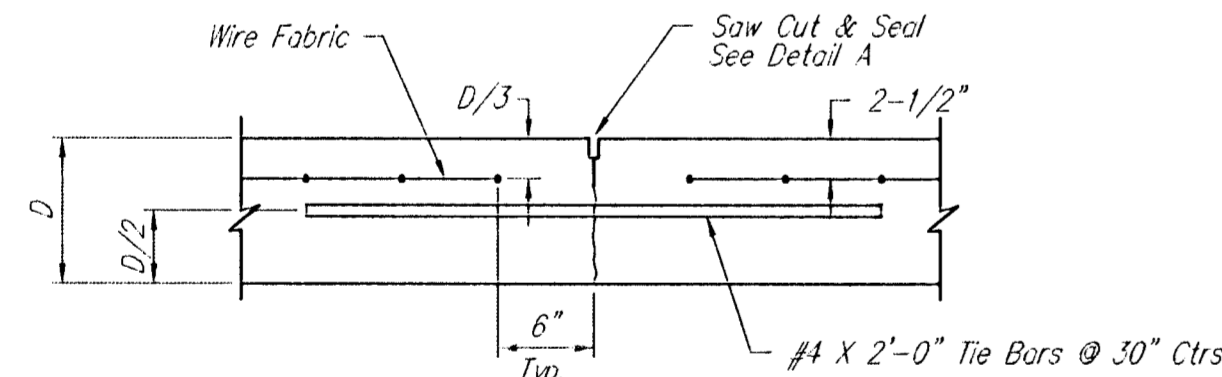


CONTRACTION JOINT DETAIL (C.J.)

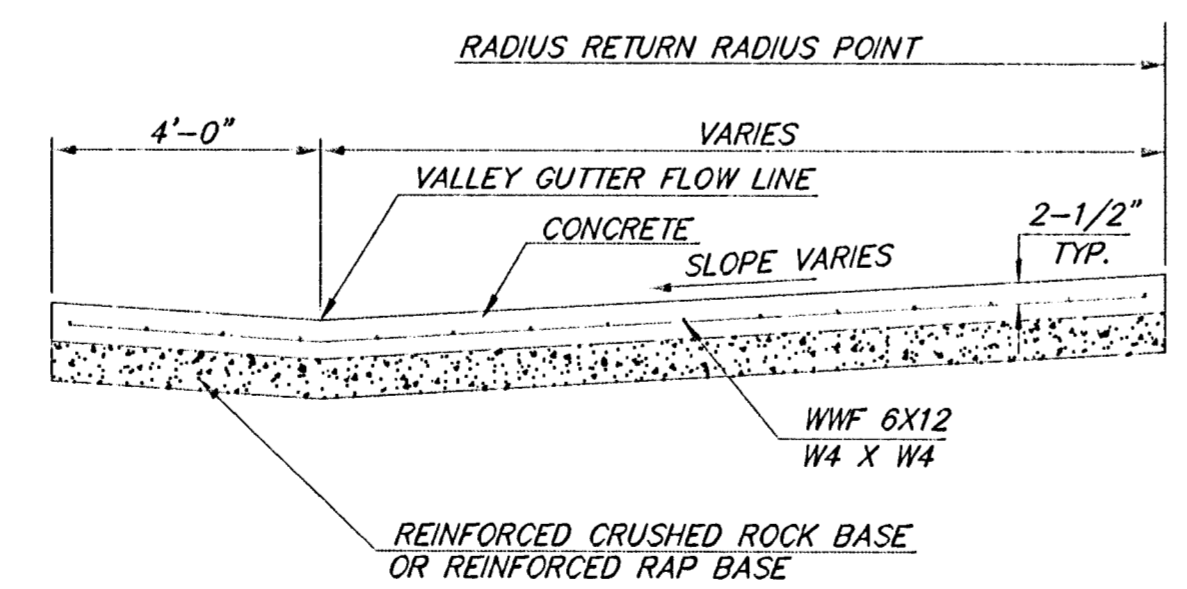


PLAN

6" x 12" W4X12 WIRE FABRIC REINFORCING SHALL BE PLACED SUCH THAT THE WIRES WITH THE 6" SPACING WILL RUN PARALLEL WITH THE LONGITUDINAL JOINT.

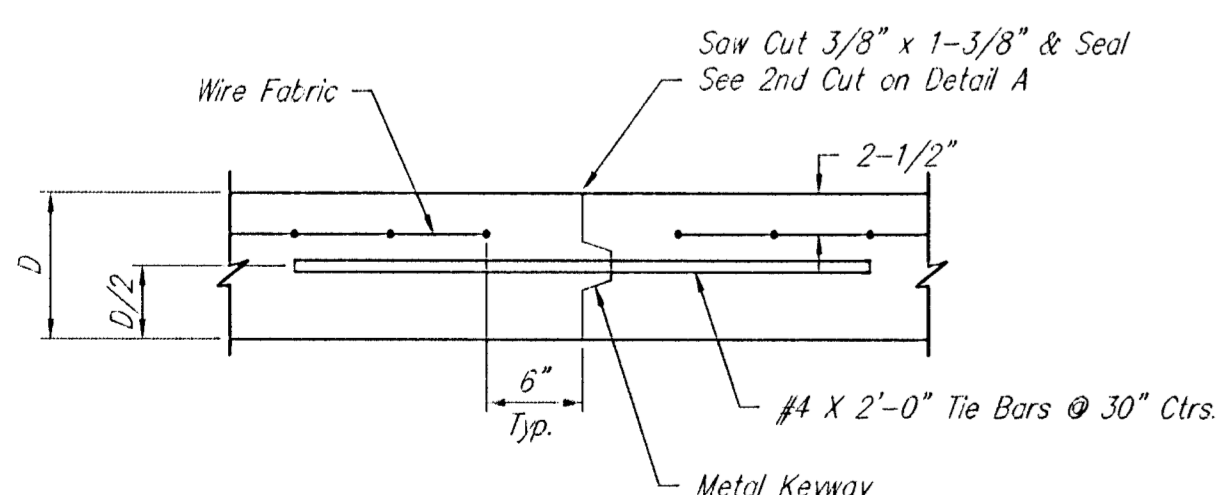


LONGITUDINAL JOINT DETAIL (L.J.)



SECTION A-A

REINFORCED VALLEY GUTTER DETAIL



OPTIONAL LONGITUDINAL JOINT DETAIL (L.J.)

WHEELCHAIR RAMP AND VALLEY GUTTER DETAILS		
SHADOW RIDGE ADDITION		
CED PROJ. NO.: 20020908		
CERTIFIED ENGINEERING DESIGN, P.A.		
810 WEST DOUGLAS, SUITE C		
WICHITA, KANSAS 67203		
PH.(316)262-8808 FAX.(316)262-1669		
DESIGNED: HDF	SCALE: NTS	SHEET 9
DRAW: GWB	DATE: 04/03	
CI CK: HDF	CED FILE: SRPlans.dwg	TOTAL 15