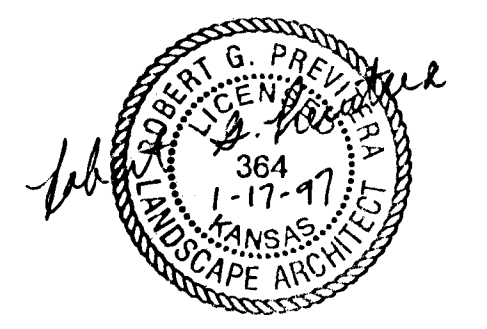
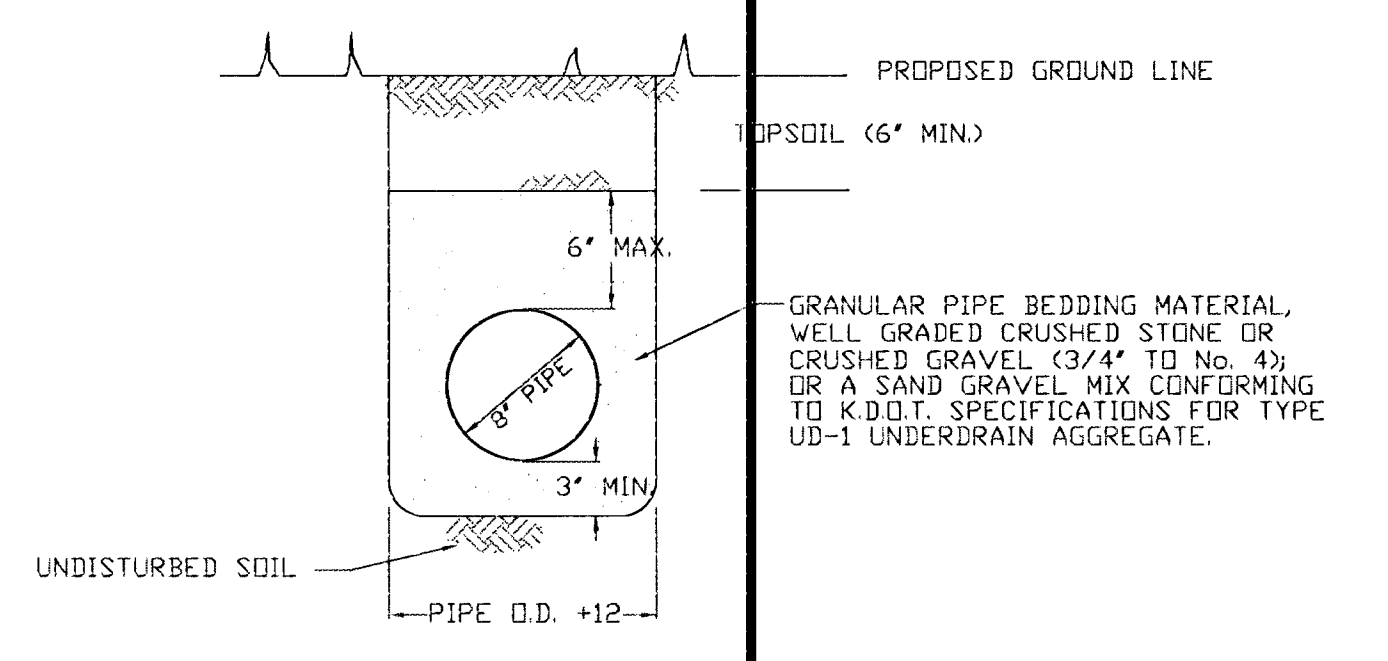
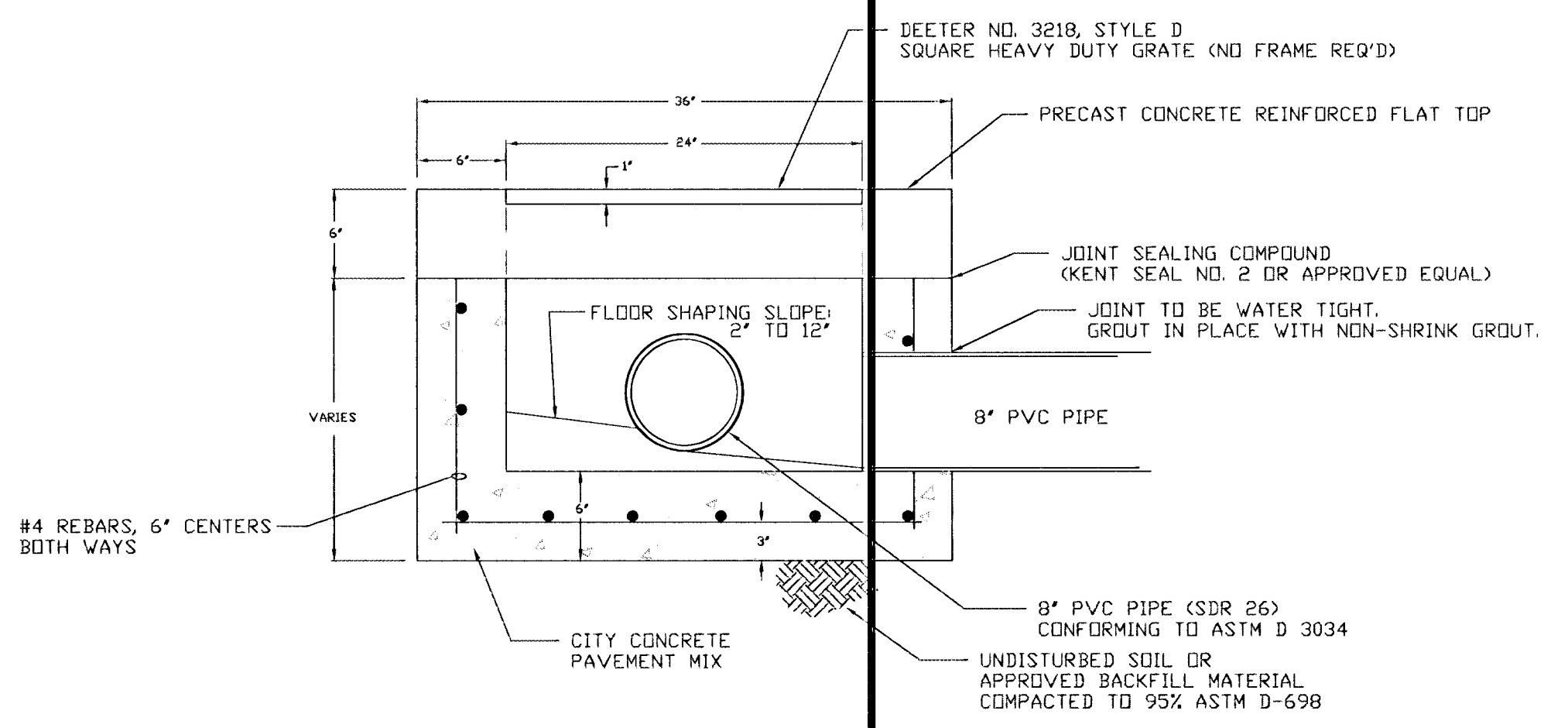
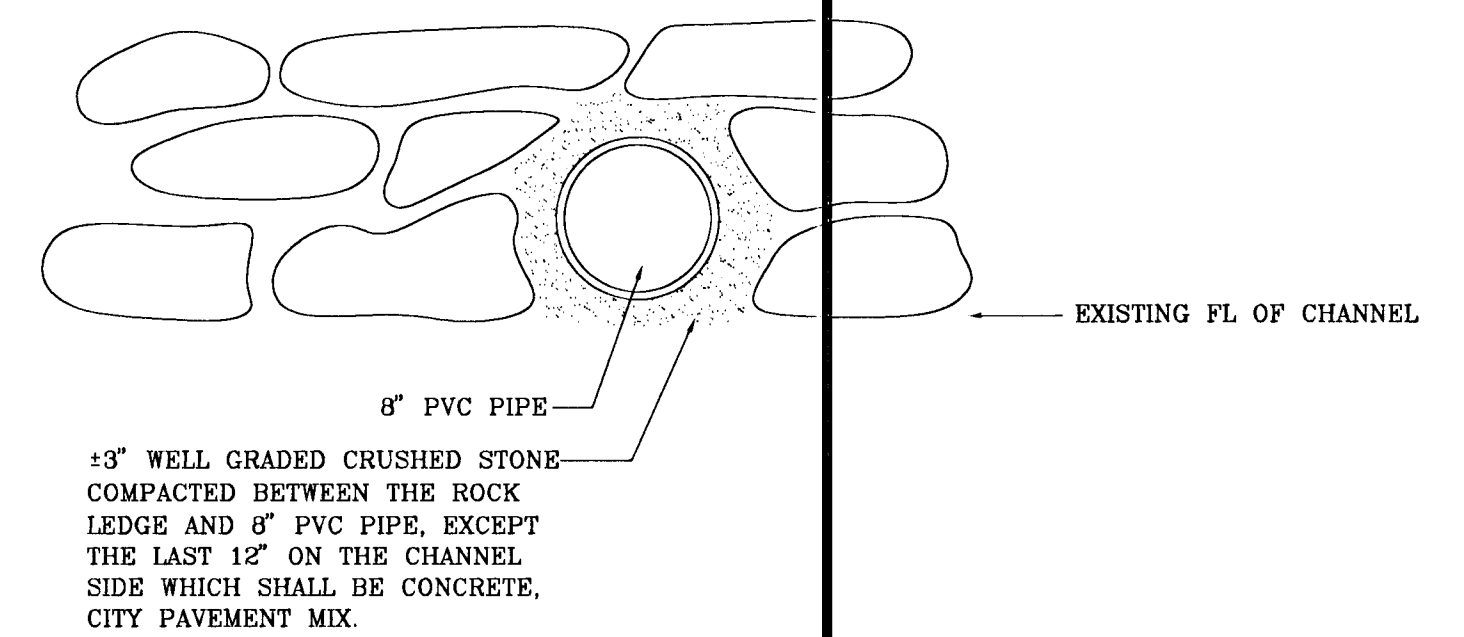


SCALE:
PROFILE:
HORZ. 1" = 10'
VERT. 1" = 1'



REISS & GOODNESS ENGINEERS
2160 WEST 21st STREET
WICHITA, KANSAS 67203
(316) 832-0213

REVISION	DIRECTORY	DRAWN BY	FILE NAME	CHECKED BY	DESIGNED BY	PROJECT	CUSTOMER	SCALE: NOTED	PROJECT NO. MS0696
	NAFTZGER	GAN	DRAINPLN	RP	RP	STORM WATER SEWER IMPROVEMENTS	CITY OF WICHITA	DATE: 1-10-97	SHEET 6 OF 8