

INSTALLATION NOTES:

1. ONLY RECYCLED BRICK PAVERS MATCHING THE CURRENT PAVERS IN NAFTZGER PARK SHALL BE USED, UNLESS OTHERWISE APPROVED BY THE CITY OF WICHITA PARK DEPARTMENT.

OR

WHERE THE CITY ALLOWS, CONCRETE BRICK PAVERS AS MANUFACTURED BY HOLLAND-STONE (OR APPROVED EQUAL) MAY BE USED HAVING A COMPRESSIVE STRENGTH OF 8000 PSI, A WATER ABSORPTION MAXIMUM OF 5% AND MEETS OR EXCEEDS ASTM C-936 AND FREEZE-THAW TESTING PER SECTION 8 OF ASTM C-67. WIDTH = 4", LENGTH = 8" AND HEIGHT/THICKNESS = 2 3/8". THE CONTRACTOR SHALL MATCH THE COLOR IN THE EXISTING PARK AS CLOSELY AS POSSIBLE. COLOR SHALL BE APPROVED BY THE PARK DEPARTMENT PRIOR TO INSTALLATION.

2. CONTRACTOR TO EXCAVATE TO THE BOTTOM OF THE BASE COURSE AS SHOWN ON THE DETAIL. UNSUITABLE, UNSTABLE OR UNCONSOLIDATED SUBGRADE MATERIAL SHALL BE REMOVED AND REPLACED WITH SUITABLE MATERIAL AND COMPACTED TO 95% STANDARD DENSITY.

3. BASE COURSE SHALL BE WELL GRADED GRAVEL RANGING FROM 3/4" MAXIMUM SIZE TO PARTICLE SIZES DOWN TO FINE DUST, COMPACTED TO 95% STANDARD DENSITY.

4. BEDDING COURSE SHALL BE A COARSE CONCRETE SAND CONFORMING TO THE GRADING REQUIREMENTS OF ASTM C-33 TO A UNIFORM DEPTH OF 1-1 1/2 INCHES, SCREEDED TO THE GRADE AND PROFILE REQUIRED.

5. INSTALL PAVERS WITH JOINTS APPROXIMATELY 1/8 OF AN INCH.

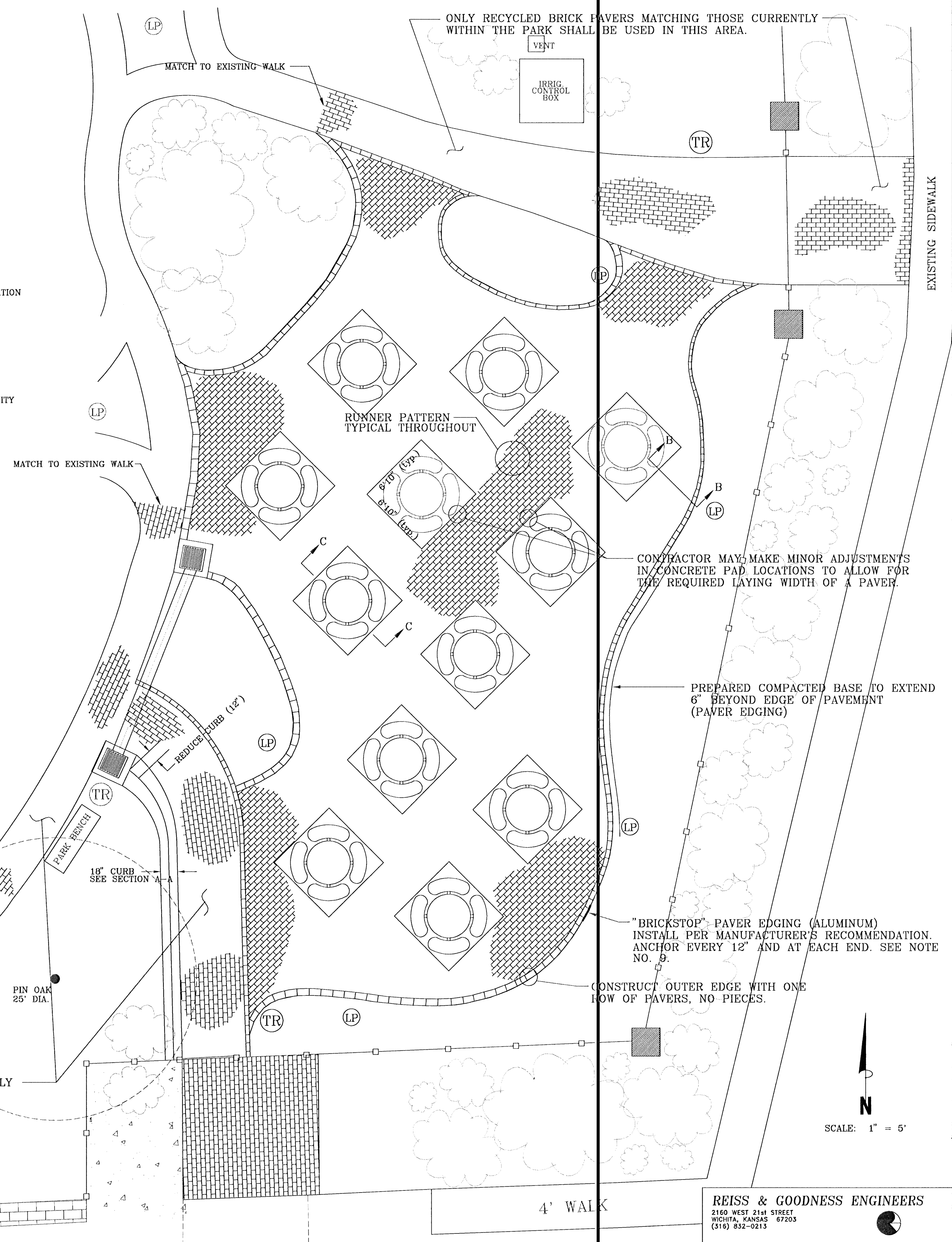
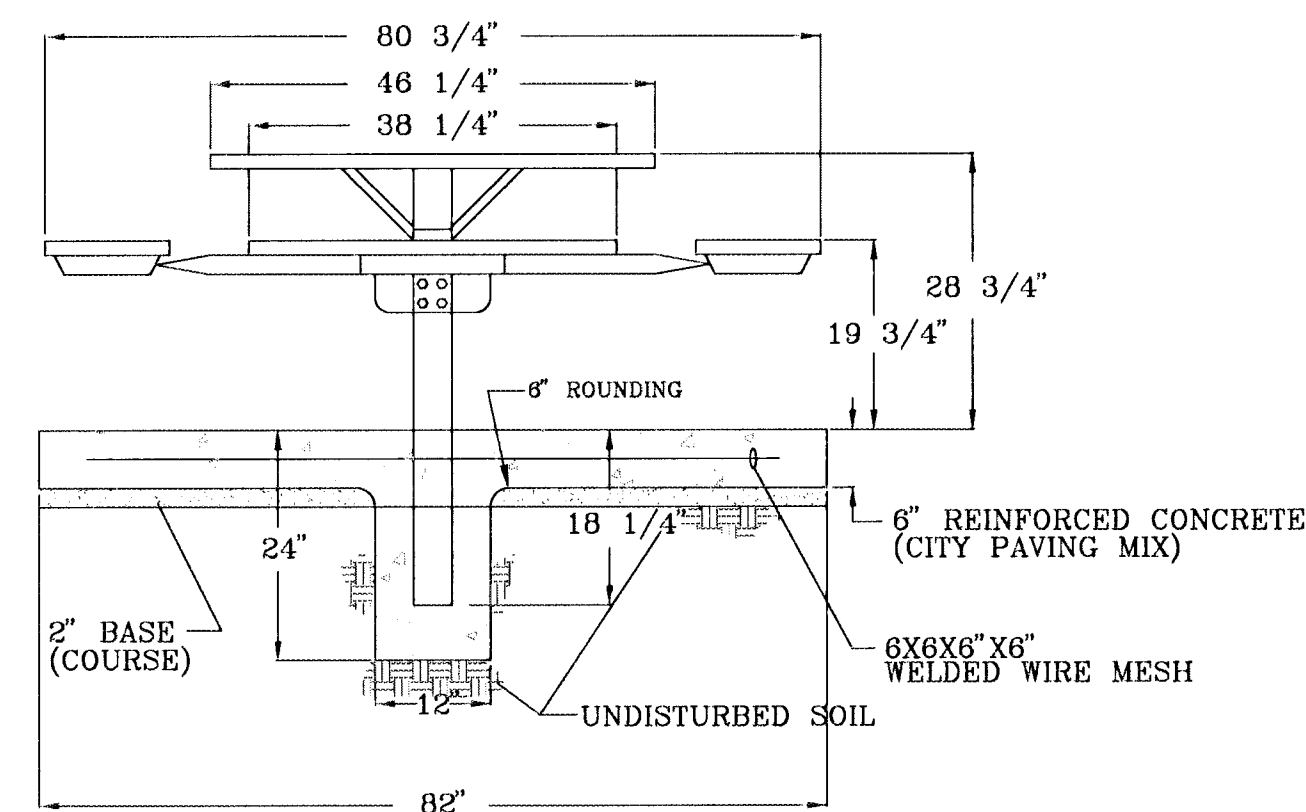
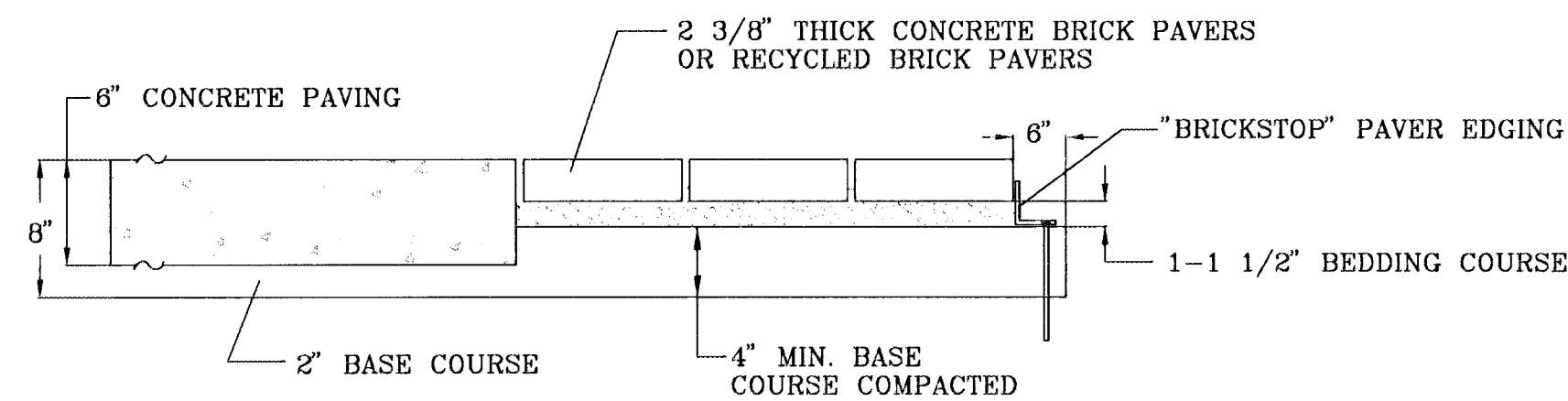
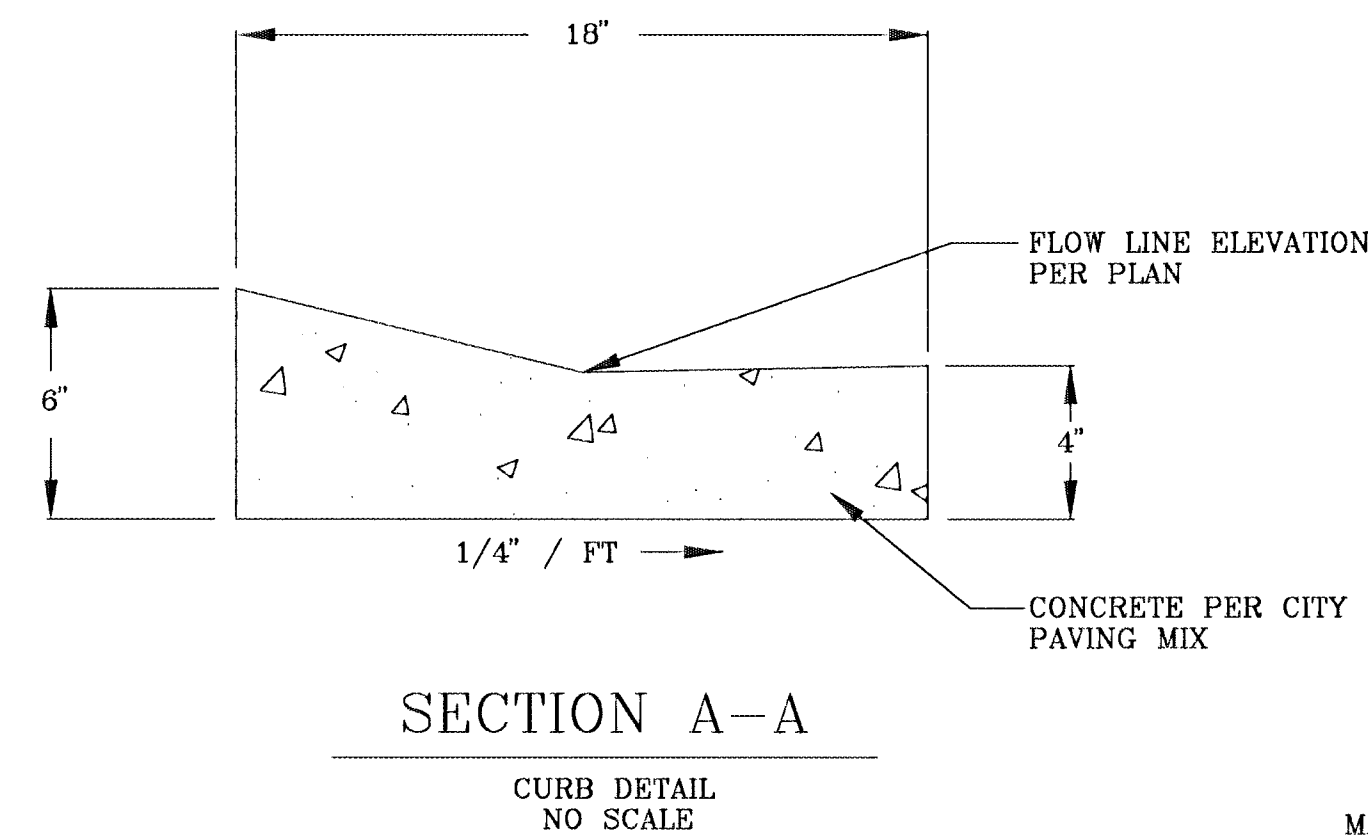
6. WHERE REQUIRED, CUT PAVERS WITH AN APPROVED CUTTER TO FIT ACCURATELY, NEATLY AND WITHOUT DAMAGED EDGES.

7. TAMP PAVERS WITH A PLATE COMPACTOR, UNIFORMLY LEVEL, TRUE TO GRADE AND FREE OF MOVEMENT.

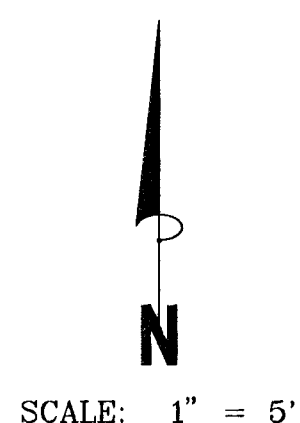
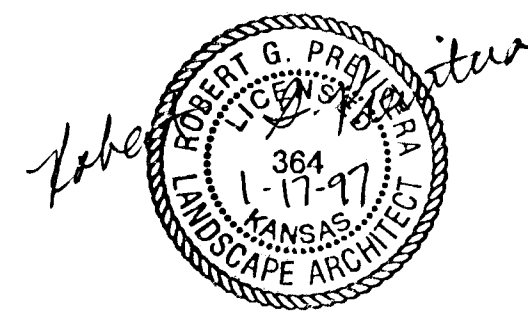
8. FILL JOINTS WITH SAND.

9. APPROVED PAVER EDGING SHALL BE INSTALLED ON THE PERIMETER OF ALL PROPOSED PAVING EXCEPT WHERE THE PROPOSED PAVERS ABUTT EXISTING OR PROPOSED PAVEMENT.

10. TABLE SHALL BE WABASH VALLEY MODEL F6046(OR F6045), 46" ROUND TABLE WITH CONCAVE SEATING; INGROUND MOUNTING; CITY PARK DEPARTMENT APPROVED TABLE AND SEAT TOP PATTERN; COLOR IS BLACK; WEIGHT IS 272lbs.



ONLY RECYCLED BRICK PAVERS MATCHING THOSE CURRENTLY WITHIN THE PARK SHALL BE USED IN THESE AREAS.



REISS & GOODNESS ENGINEERS
2160 WEST 21st STREET
WICHITA, KANSAS 67205
(316) 832-0213

REVISION	DIRECTORY	DRAWN BY	FILE NAME	CHECKED BY	DESIGNED BY	PROJECT	CUSTOMER	SCALE: 1" = 5'	PROJECT NO. MSD696
	NAFTZGER	GAN	PAVEPLAN	RP	RP	PAVING PLAN-NAFTZGER PARK IMPROVEMENTS	CITY OF WICHITA	DATE: 1-10-97	SHEET 7 OF 8