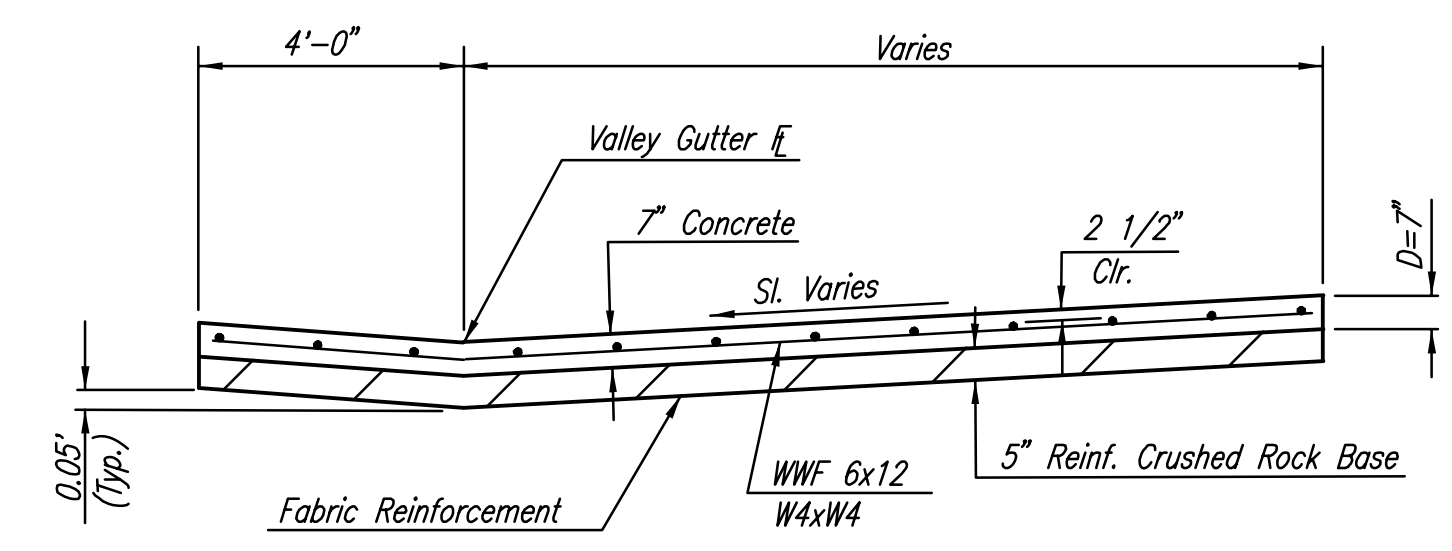
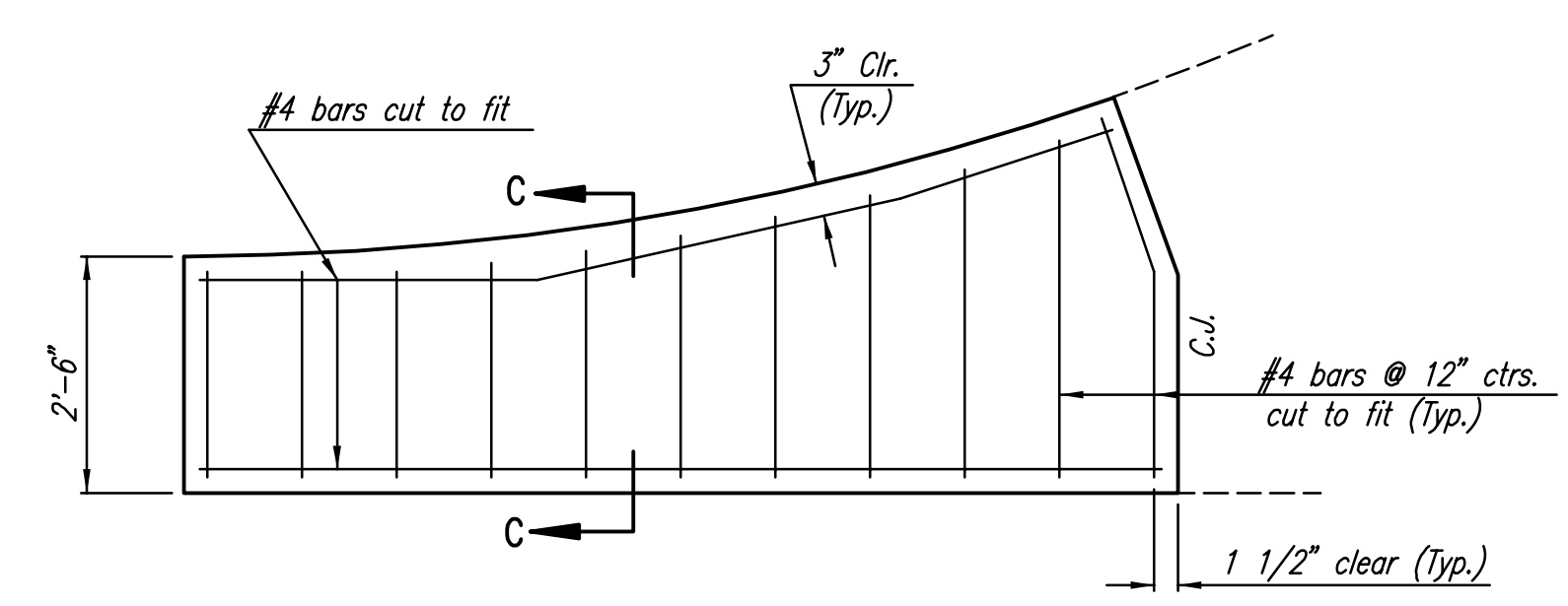


PLAN  
REINFORCED VALLEY GUTTER



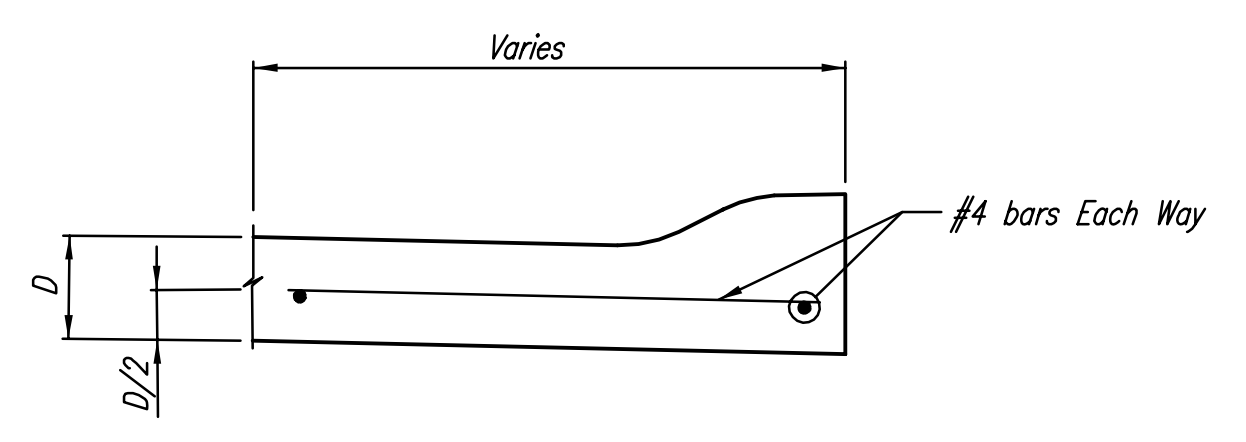
SECTION A-A

NOTE: OMIT REINFORCING MESH AT ALL JOINTS  
NOTE: ALL CONCRETE VALLEY GUTTER REINFORCEMENT SHALL BE ADEQUATELY SUPPORTED BY BAR CHAIRS IN THE REQUIRED POSITION UNLESS APPROVED OTHERWISE BY THE ENGINEER.

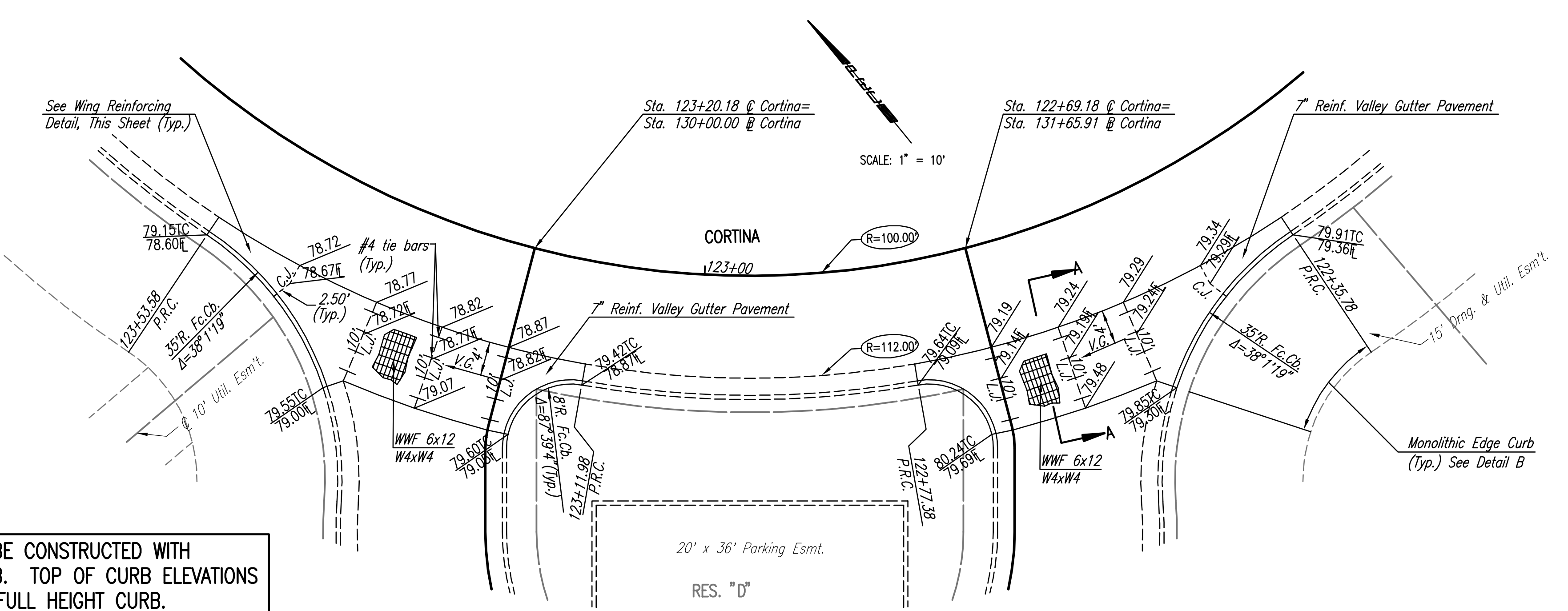


WING REINFORCING DETAIL

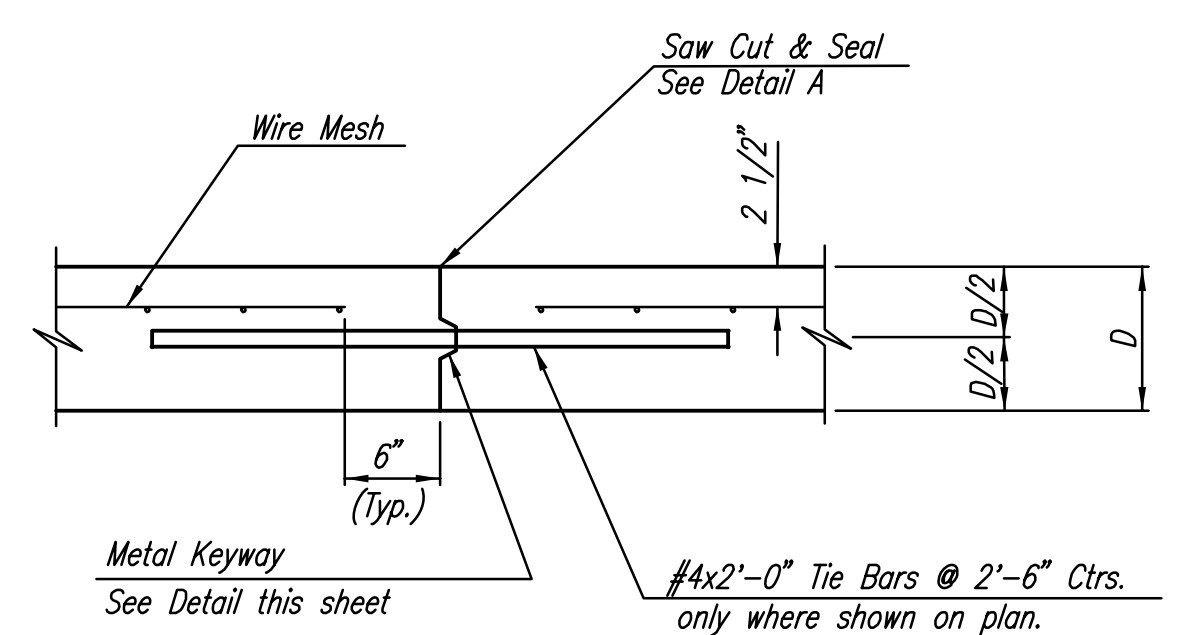
NOTE: OMIT WIRE FABRIC REINFORCING IN THIS SECTION.



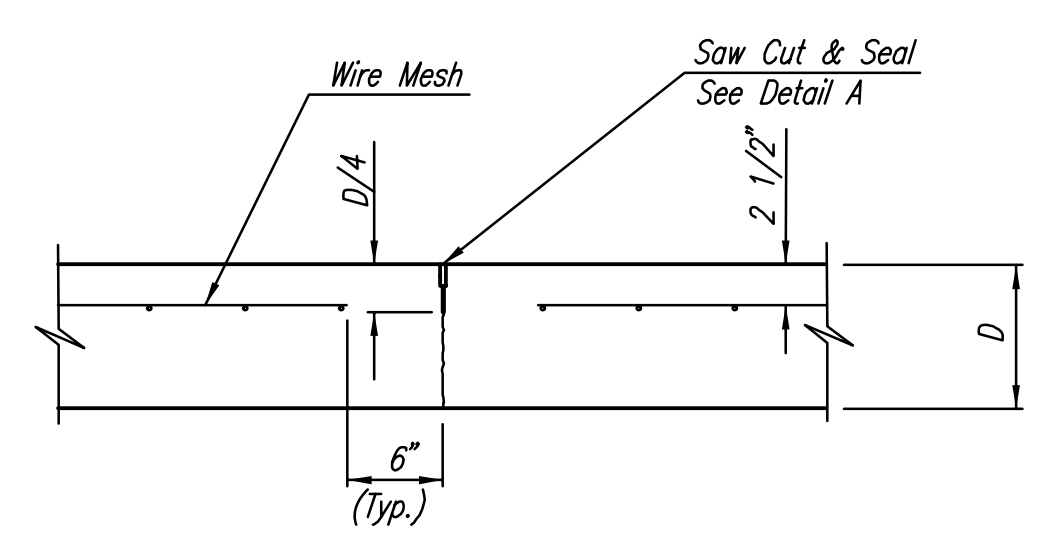
SECTION C-C  
(ROLL-TYPE CURB)



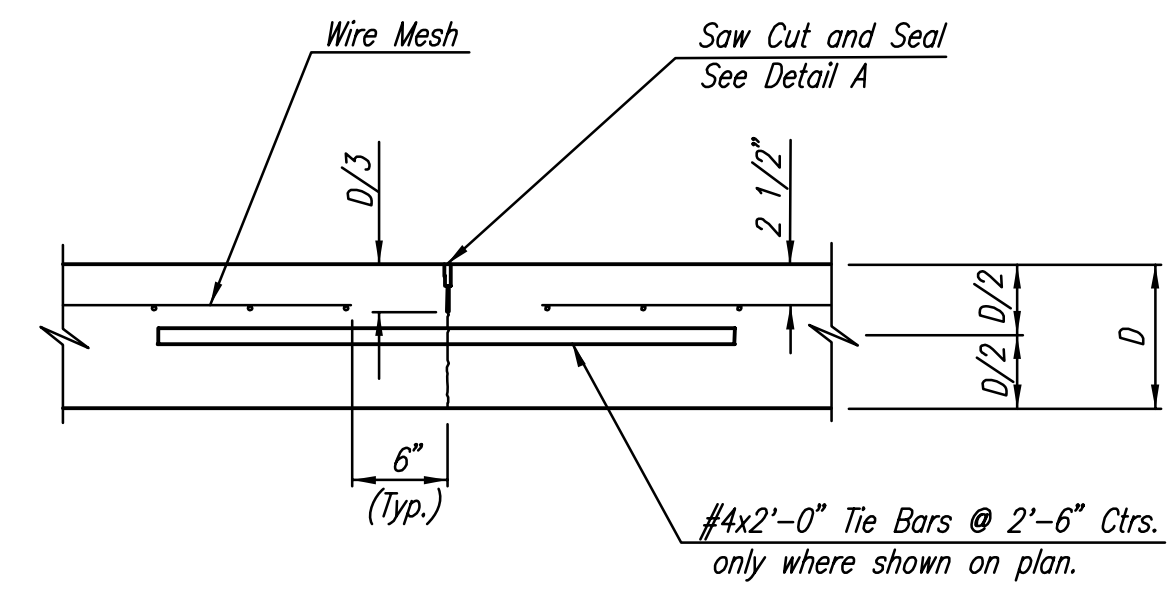
PLAN  
REINFORCED VALLEY GUTTER



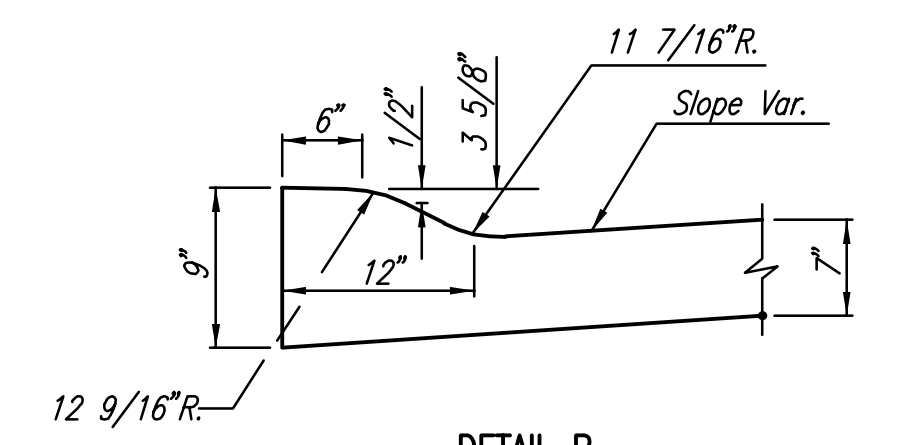
LONGITUDINAL CONSTRUCTION JOINT DETAIL  
REINFORCED PAVEMENT  
(TRANSVERSE SECTION)  
(ALTERNATE L.J.)



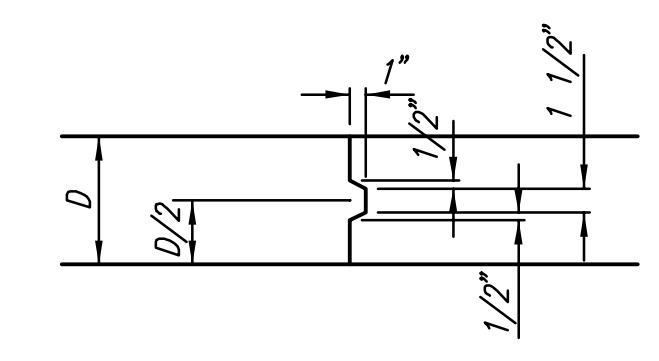
CONTRACTION JOINT DETAIL  
REINFORCED PAVEMENT  
(C.J.)



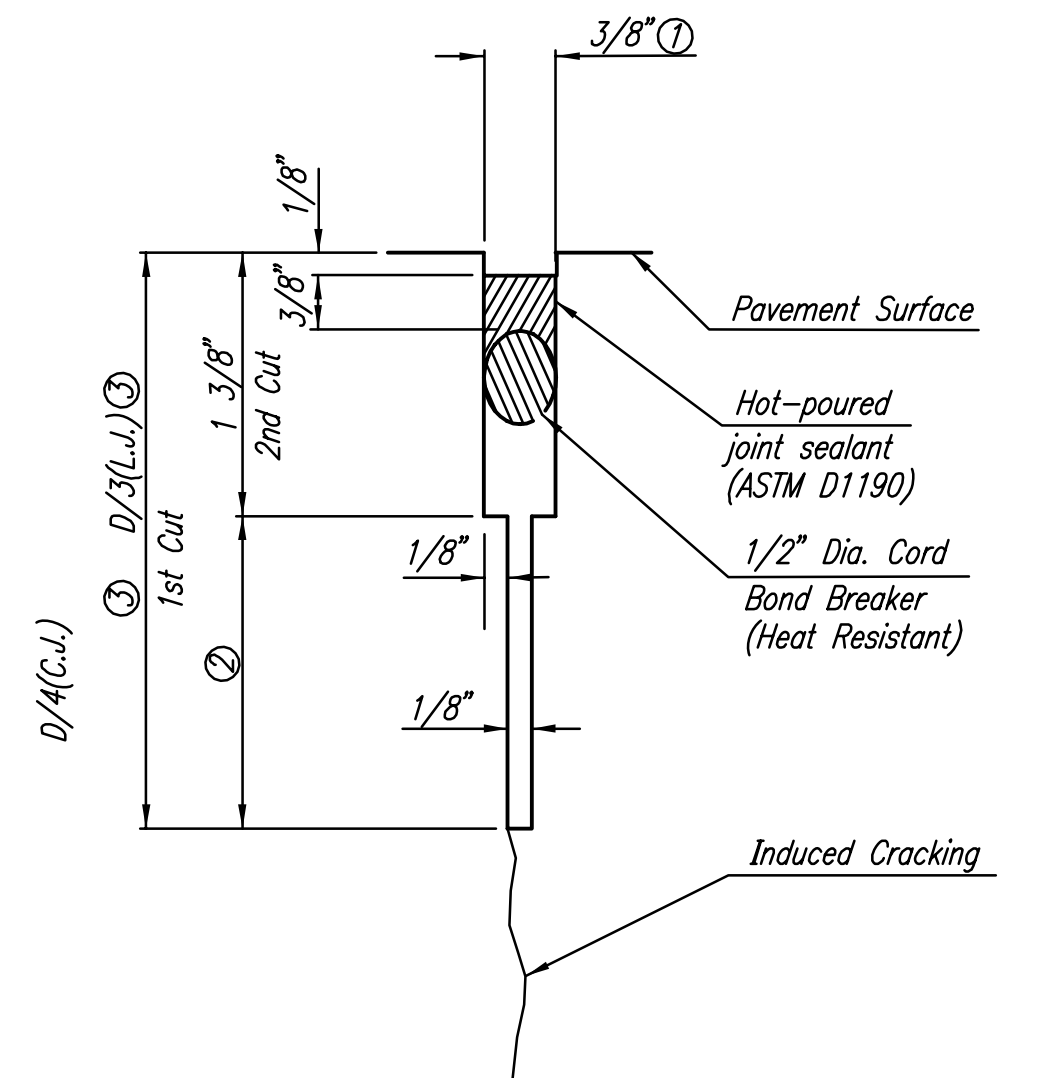
LONGITUDINAL JOINT DETAIL  
REINFORCED PAVEMENT  
(TRANSVERSE SECTION)  
(L.J.)



DETAIL B  
(ROLL-TYPE CURB)



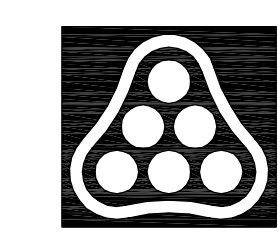
KEYWAY DETAIL



DETAIL A

- ① To be accomplished in 2 cuts for Longitudinal Joints and Contraction Joints. Initial cut to be 1/8" wide.
- ② Eliminate bottom of cut when metal keyway is used as part of Longitudinal or Transverse Construction Joint and at Doweled Construction Joint Locations.
- ③ 1 1/2" Minimum

Sowed: 06-05-2007 6:42:56 AM by BJS  
 Plot Scale: 1:10 06-11-2007 10:09:01 AM by REFJ  
 J:\SENTOU\2006\06611\2007-06-05 to Wichita\Street\DWG\14-VALLEY GUTTER PLAN



No.	Revision	By	Date
FONTANA 3RD ADDITION			
<b>VALLEY GUTTER PLAN</b>			
JAMES L. ARMOUR, P.E. - CITY ENGINEER CITY OF WICHITA PROJECT NO. 472-84091			
<b>Professional Engineering Consultants, P.A.</b> 303 S. TOPEKA • WICHITA, KANSAS 67202 316-262-2691 • FAX 316-262-3003			
Designed by	BDB, BMM	Job No.	35-06611-000
Drawn by	BJS, TAT, BMM	Date	November 2006
			Sheet 14 of 58