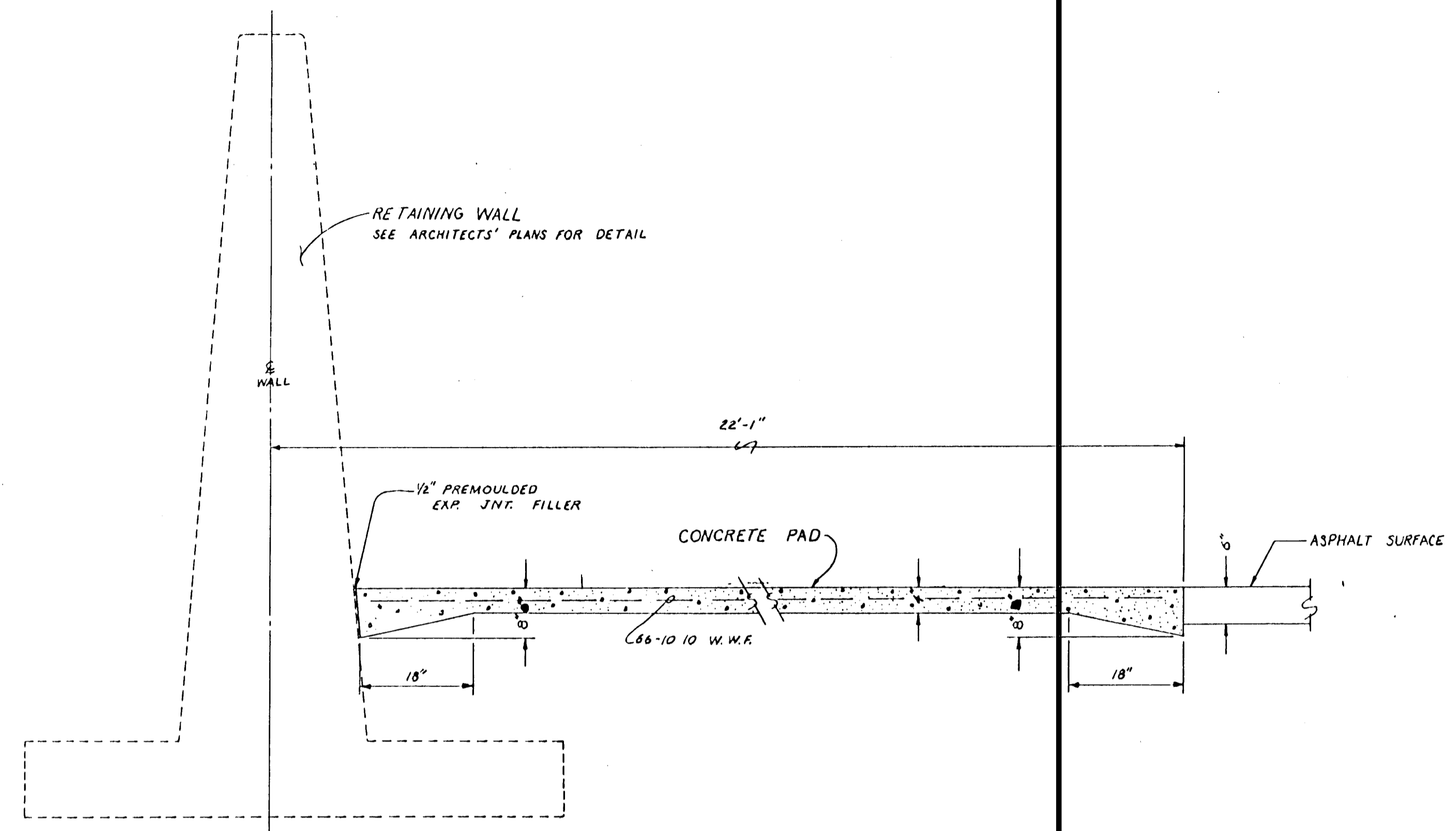
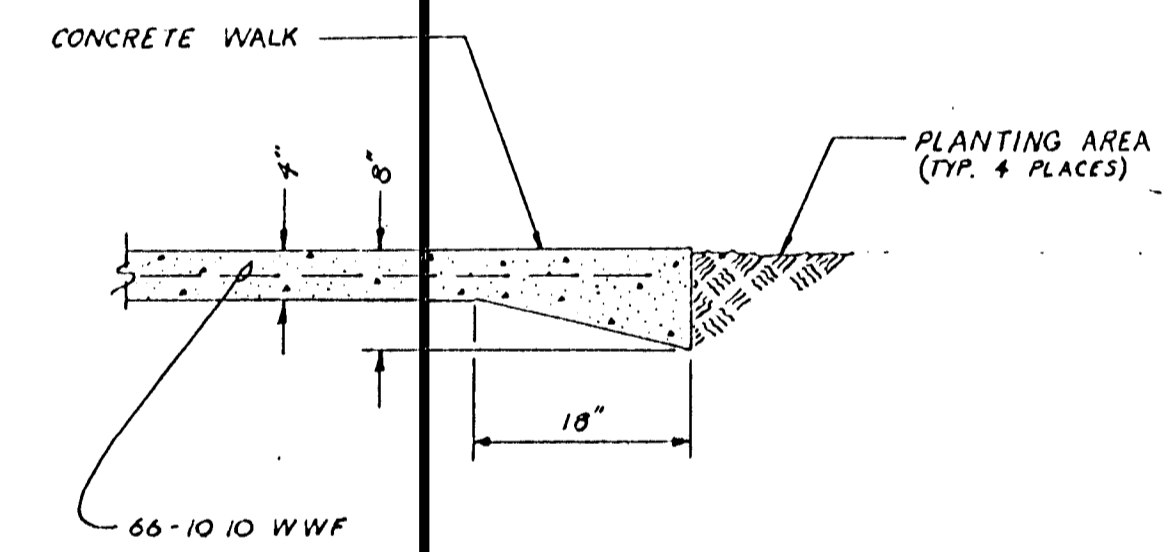


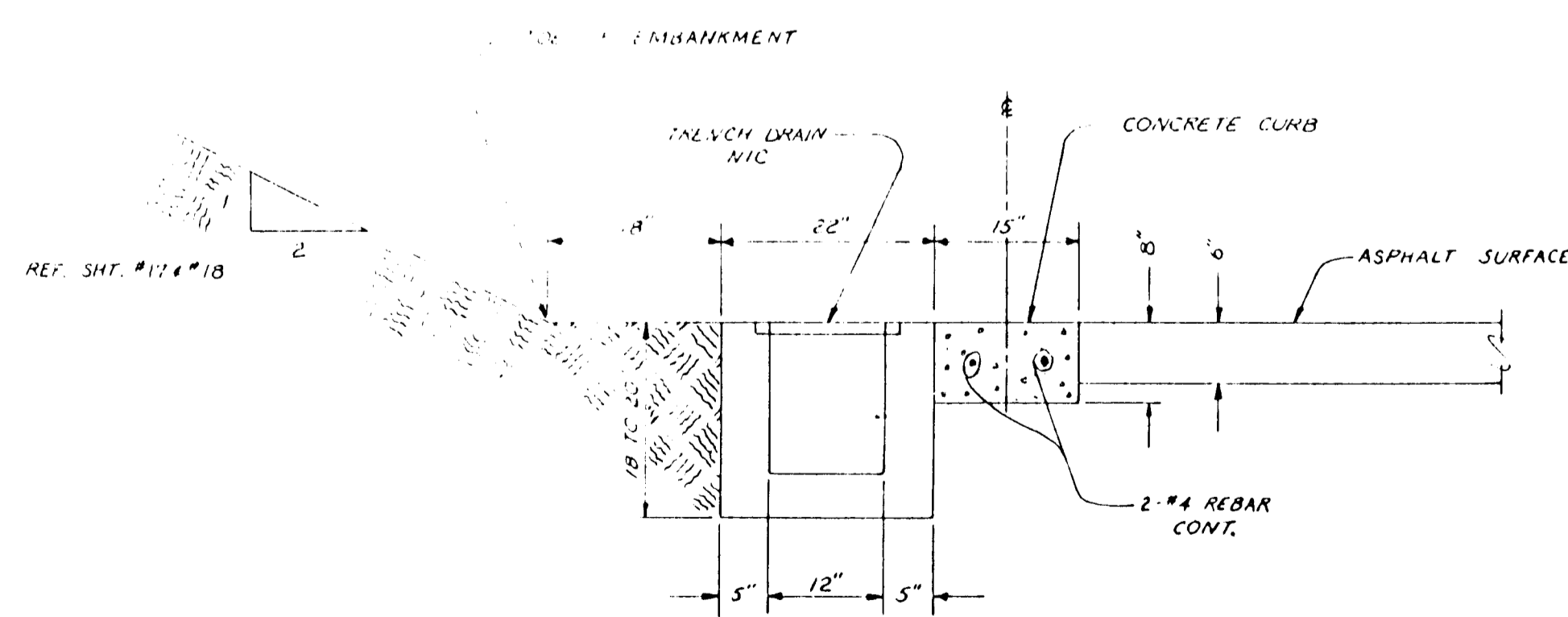
SECTION C-C



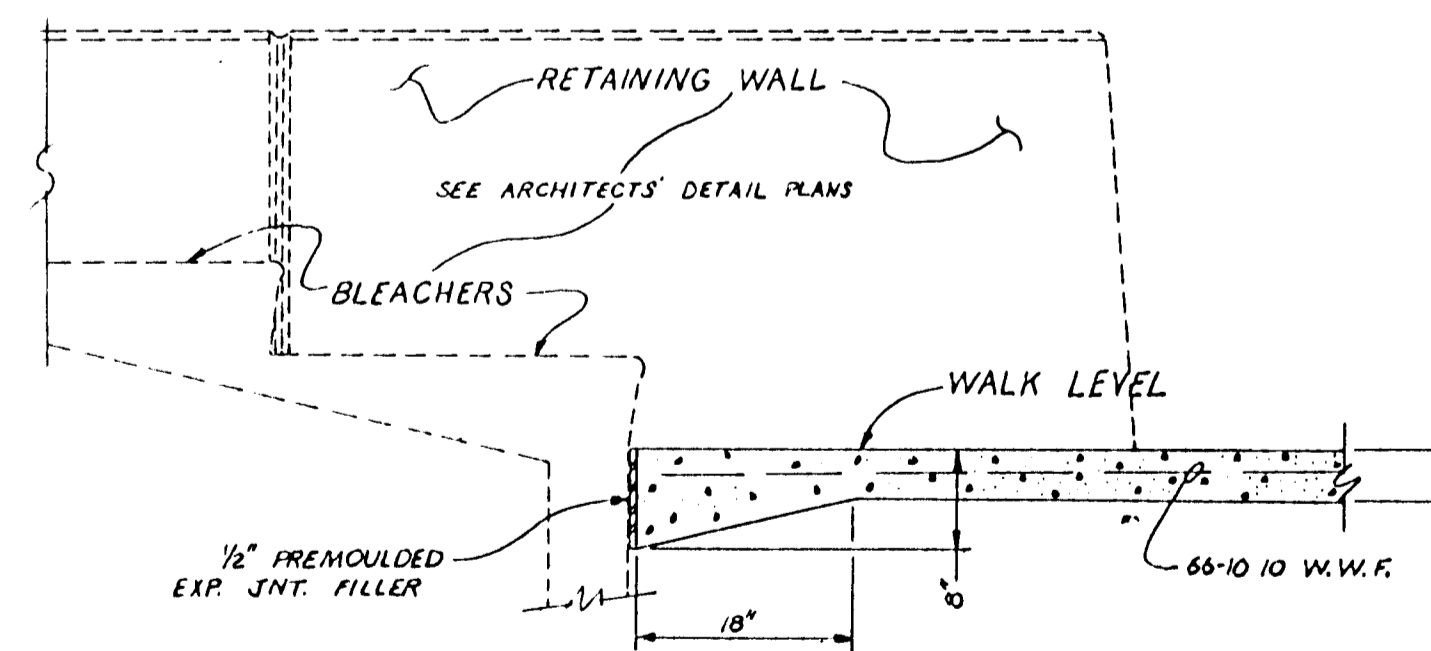
SECTION D-D



SECTION G-G



SECTION F-F



SECTION E-E

DETAILS			
SOUTH RIVERSIDE PARK			
INDEX # 785469			
BOARD OF PARK COMMISSIONERS WICHITA, KANSAS			
DATE	DRAWN	SCALE	SHEET
5-29-15	T.H.S.	3/8" = 1'-0"	6 OF 6