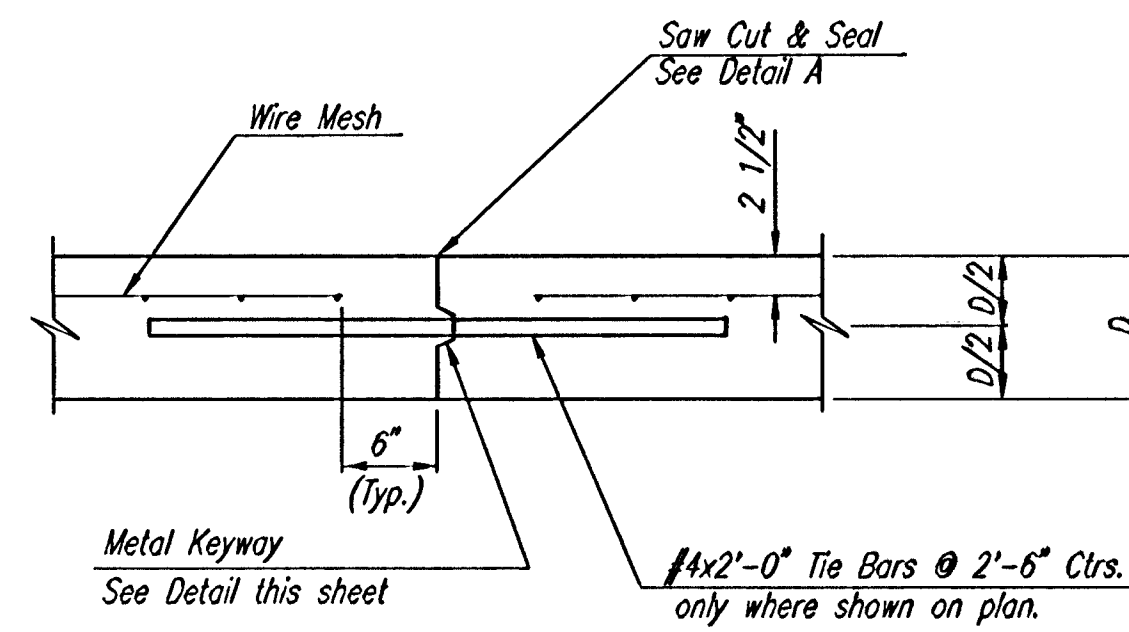
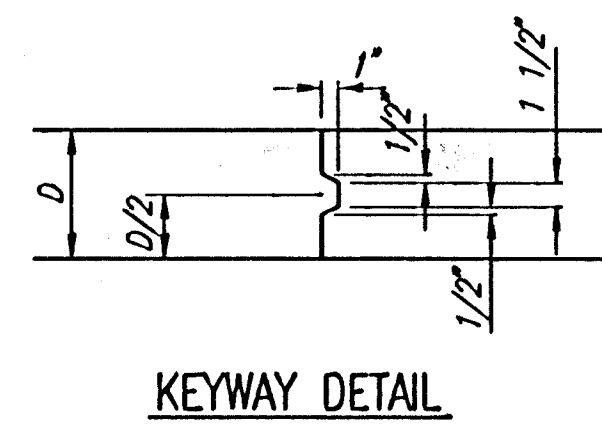


WING REINFORCING DETAIL

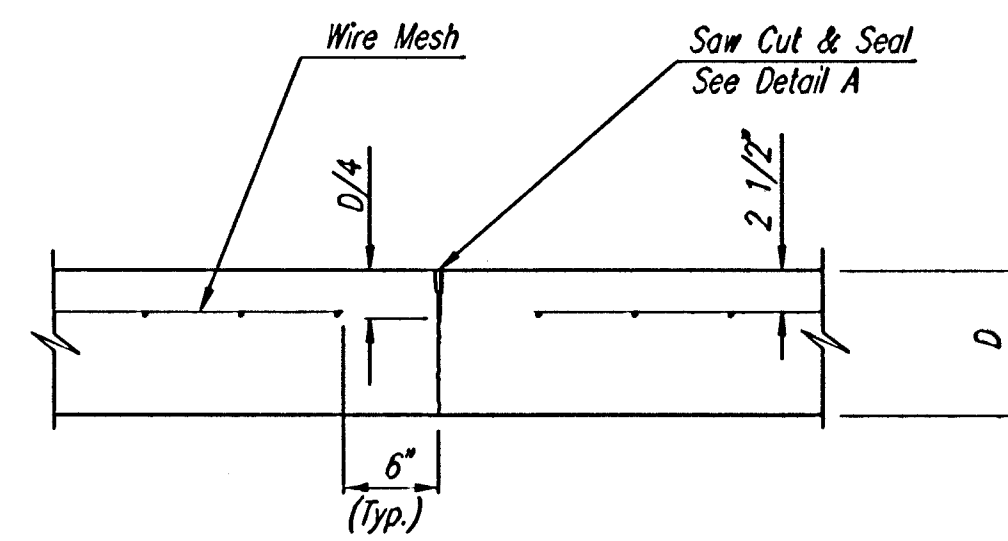
NOTE: OMIT WIRE FABRIC REINFORCING IN THIS SECTION.



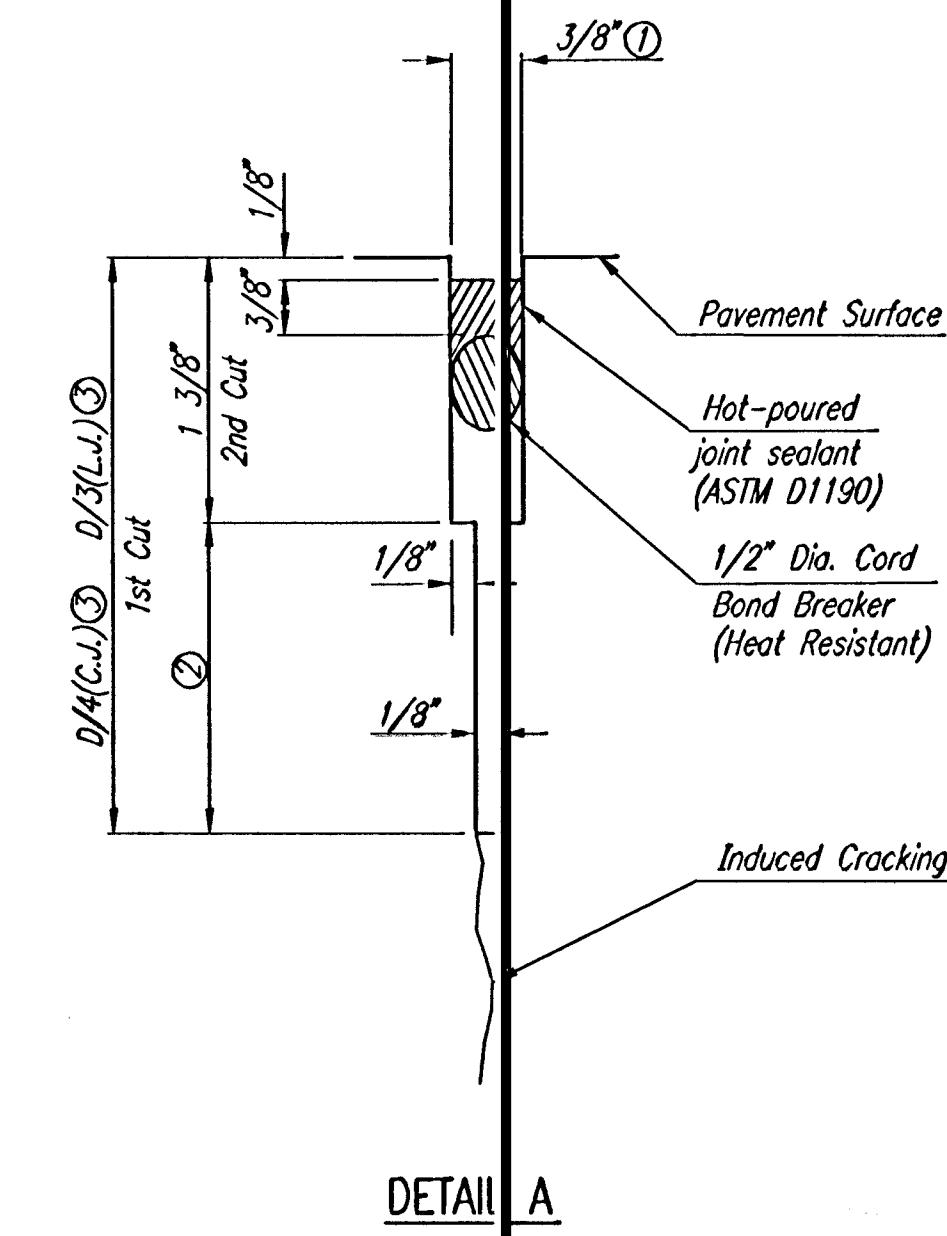
**LONGITUDINAL CONSTRUCTION JOINT DETAIL
REINFORCED PAVEMENT
(TRANSVERSE SECTION)
(ALTERNATE L.J.)**



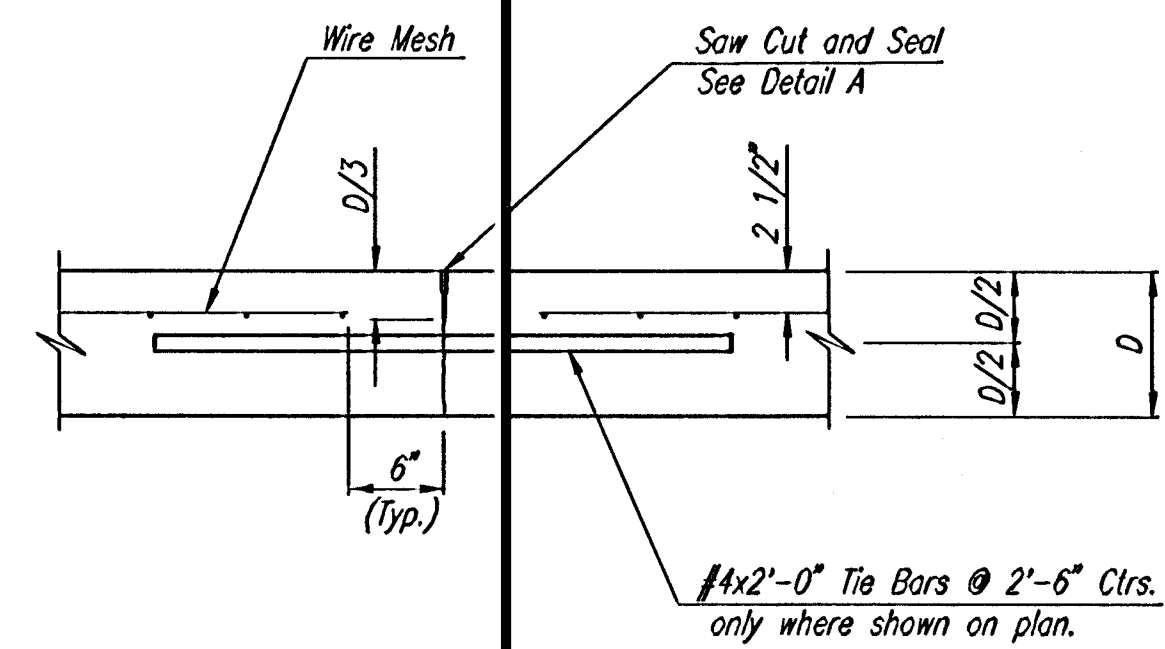
KEYWAY DETAIL



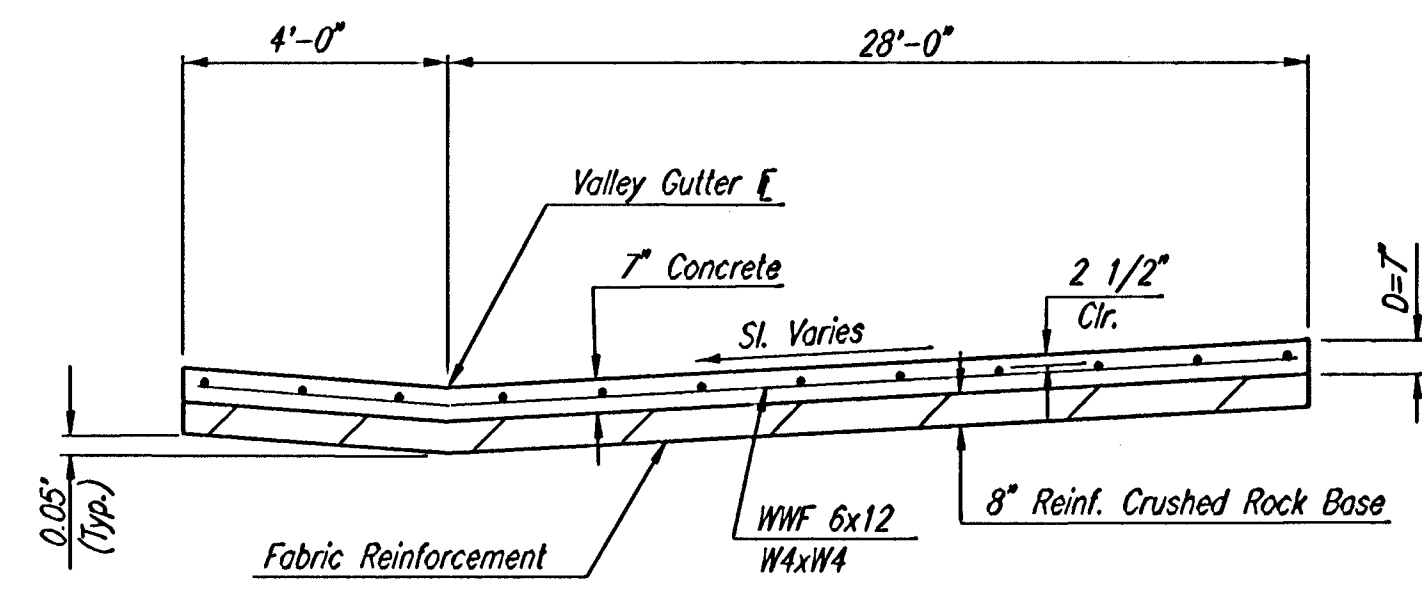
**CONTRACTION JOINT DETAIL
REINFORCED PAVEMENT
(C.J.)**



- ① To be accomplished in 2 cuts for Longitudinal Joints and Contraction Joints. Initial cut to be 1/8" wide.
- ② Eliminate bottom of cut when metal keyway is used as part of Longitudinal or Transverse Construction Joint and at Doweled Construction Joint Locations.
- ③ 1 1/2" Minimum

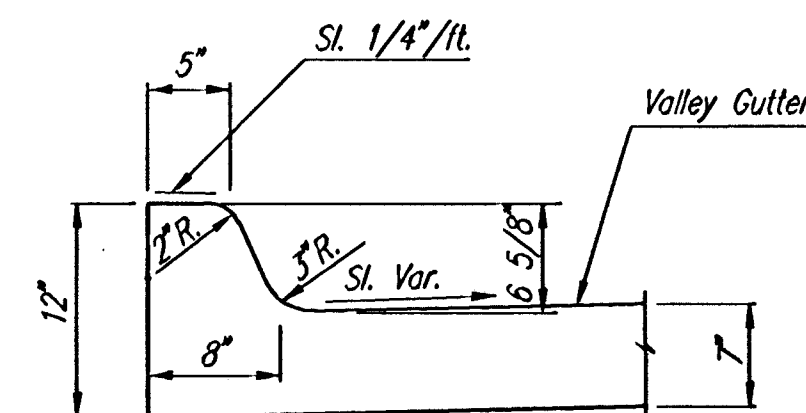


**LONGITUDINAL JOINT DETAIL
REINFORCED PAVEMENT
(TRANSVERSE SECTION)
(L.J.)**



SECTION A-A

NOTE: OMIT REINFORCING MESH AT ALL JOINTS
NOTE: ALL CONCRETE VALLEY GUTTER REINFORCEMENT SHALL BE ADEQUATELY SUPPORTED BY BAR CHAIRS IN THE REQUIRED POSITION UNLESS APPROVED OTHERWISE BY THE ENGINEER.



DETAIL B

Saved 06-01-2006 6:36:38 AM by BJS
 Plot Scale: 1:10 06-01-2006 6:39:46 AM by BJS
 C:\2004\104881\104881-1\104881-1.dwg



| No. | Revision | By | Date |
|--|---|----------------------|----------------|
| | OAK CREEK-PHASE 1 21ST ST. N. DECEL LANE | | |
| VALLEY GUTTER DETAILS | | | |
| JAMES L. ARMOUR, P.E. - CITY ENGINEER CITY OF WICHITA PROJECT NO. 472-84206 | | | |
| Professional Engineering Consultants, P.A. | | | |
| 303 S. TOPEKA • WICHITA, KANSAS 67202 316-262-2691 • FAX 316-262-3003 | | | |
| Designed by | BDB, BLB | Job No. 35-04688-003 | Sheet 10 of 28 |
| Drawn by | BJS, JMU | Date January 2005 | |